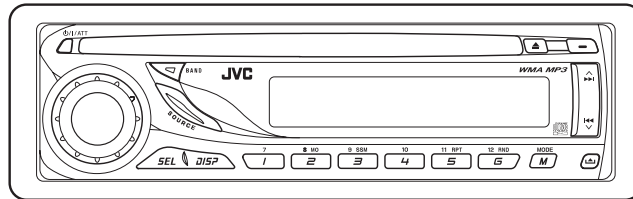
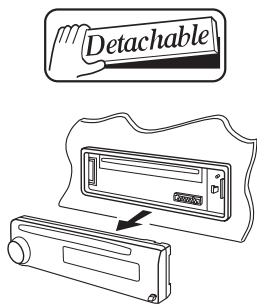


JVC

SERVICE MANUAL

CD RECEIVER

KD-AR270, KD-G220, KD-G227, KD-G321, KD-G322, KD-G323, KD-G324, KD-G325, KD-G326, KD-G327



KD-AR270, KD-G220
Area suffix
J ----- Northern America
KD-G227, KD-G327
Area suffix
EE ----- Russian Federation

KD-G321, KD-G322
Area suffix
E ----- Southern Europe
EX ----- Northern Europe
EY ----- Eastern Europe
EU ----- Turkey

KD-G323, KD-G324
Area suffix
UI ----- India

KD-G325, KD-G326
Area suffix
UT ----- Taiwan
UH ----- Thailand
UN ----- Indonesia
U ----- Other Areas

WMA MP3



Lead free solder used in the board (material : Sn-Ag-Cu, melting point : 219 Centigrade)

TABLE OF CONTENTS

1	PRECAUTIONS	1-8
2	SPECIFIC SERVICE INSTRUCTIONS	1-11
3	DISASSEMBLY	1-12
4	ADJUSTMENT	1-16
5	TROUBLESHOOTING	1-17

SPECIFICATION

KD-AR270/KD-G220

AUDIO AMPLIFIER SECTION		
Power Output	18 W RMS × 4 Channels at 4 Ω and [$<$ or $=$] 1% THD+N	
Signal to Noise Ratio	80 dBA (reference: 1 W into 4 Ω)	
Load Impedance	4 Ω (4 Ω to 8 Ω allowance)	
Tone Control Range	Bass	±10 dB at 100 Hz
	Treble	±10 dB at 10 kHz
Frequency Response	40 Hz to 20 000 Hz	
Line-Out Level/Impedance	2.5 V/20 kΩ load (full scale)	
Output Impedance	1 kΩ	
TUNER SECTION		
Frequency Range	FM	87.5 MHz to 107.9 MHz (with channel interval set to 100 kHz or 200 kHz) 87.5 MHz to 108.0 MHz (with channel interval set to 50 kHz)
	AM	530 kHz to 1 710 kHz (with channel interval set to 10 kHz) 531 kHz to 1 602 kHz (with channel interval set to 9 kHz)
FM Tuner	Usable Sensitivity	11.3 dBf (1.0 μV/75 Ω)
	50 dB Quieting Sensitivity	16.3 dBf (1.8 μV/75 Ω)
	Alternate Channel Selectivity (400 kHz)	65 dB
	Frequency Response	40 Hz to 15 000 Hz
	Stereo Separation	35 dB
	Capture Ratio	1.5 dB
AM Tuner	Sensitivity	20 μV
	Selectivity	35 dB
CD PLAYER SECTION		
Type	Compact disc player	
Signal Detection System	Non-contact optical pickup (semiconductor laser)	
Number of channels	2 channels (stereo)	
Frequency Response	5 Hz to 20 000 Hz	
Dynamic Range	96 dB	
Signal-to-Noise Ratio	98 dB	
Wow and Flutter	Less than measurable limit	
MP3 Decoding Format	MPEG1/2 Audio Layer 3 Max. Bit Rate: 320 kbps	
WMA (Windows Media® Audio) Decoding Format	Max. Bit Rate: 192 kbps	
GENERAL		
Power Requirement	Operating Voltage	DC 14.4 V (11 V to 16 V allowance)
Grounding System	Negative ground	
Allowable Operating Temperature	0°C to +40°C (32°F to 104°F)	
Dimensions (W × H × D)	Installation Size (approx.)	182 mm × 52 mm × 150 mm (7-3/16" × 2-1/16" × 5-15/16")
	Panel Size (approx.)	188 mm × 58 mm × 11 mm (7-7/16" × 2-5/16" × 7/16")
Mass (approx.)	1.2 kg (2.6 lbs) (excluding accessories)	

Design and specifications are subject to change without notice.

KD-G227

AUDIO AMPLIFIER SECTION		
Maximum Power Output	Front	45 W per channel
	Rear	45 W per channel
Continuous Power Output (RMS)	Front	17 W per channel into 4 Ω , 40 Hz to 20 000 Hz at no more than 0.8% total harmonic distortion.
	Rear	17 W per channel into 4 Ω , 40 Hz to 20 000 Hz at no more than 0.8% total harmonic distortion.
Load Impedance		4 Ω (4 Ω to 8 Ω allowance)
Tone Control Range	Bass	± 10 dB at 100 Hz
	Treble	± 10 dB at 10 kHz
Frequency Response		40 Hz to 20 000 Hz
Signal-to-Noise Ratio		70 dB
Line-Out Level/Impedance		2.0 V/20 k Ω load (full scale)
Output Impedance		1 k Ω
Frequency Range	FM	87.5 MHz to 108.0 MHz
	AM	522 kHz to 1 620 kHz
FM Tuner	Usable Sensitivity	11.3 dBf (1.0 μ V/75 Ω)
	50 dB Quieting Sensitivity	16.3 dBf (1.8 μ V/75 Ω)
	Alternate Channel Selectivity (400 kHz)	65 dB
	Frequency Response	40 Hz to 15 000 Hz
	Stereo Separation	30 dB
	Capture Ratio	1.5 dB
AM Tuner	Sensitivity	20 μ V
	Selectivity	35 dB
CD PLAYER SECTION		
Type		Compact disc player
Signal Detection System		Non-contact optical pickup (semiconductor laser)
Number of Channels		2 channels (stereo)
Frequency Response		5 Hz to 20 000 Hz
Dynamic Range		96 dB
Signal-to-Noise Ratio		98 dB
Wow and Flutter		Less than measurable limit
MP3 Decoding Format		MPEG1/2 Audio Layer 3 Max. Bit Rate: 320 kbps
WMA (Windows Media® Audio) Decoding Format		Max. Bit Rate: 192 kbps
GENERAL		
Power Requirement	Operating Voltage	DC 14.4 V (11 V to 16 V allowance)
Grounding System		Negative ground
Allowable Operating Temperature		0°C to +40°C
Dimensions (W \times H \times D)	Installation Size (approx.)	182 mm \times 52 mm \times 150 mm
	Panel Size (approx.)	188 mm \times 58 mm \times 11 mm
Mass (approx.)		1.2 kg (excluding accessories)

Design and specifications are subject to change without notice.

KD-G321/KD-G322

AUDIO AMPLIFIER SECTION		
Maximum Power Output	Front	50 W per channel
	Rear	50 W per channel
Continuous Power Output (RMS)	Front	19 W per channel into 4 Ω , 40 Hz to 20 000 Hz at no more than 0.8% total harmonic distortion.
	Rear	19 W per channel into 4 Ω , 40 Hz to 20 000 Hz at no more than 0.8% total harmonic distortion.
Load Impedance		4 Ω (4 Ω to 8 Ω allowance)
Tone Control Range	Bass	± 10 dB at 100 Hz
	Treble	± 10 dB at 10 kHz
Frequency Response		40 Hz to 20 000 Hz
Signal-to-Noise Ratio		70 dB
Line-Out Level/Impedance		2.5 V/20 k Ω load (full scale)
Output Impedance		1 k Ω
Other terminals		Steering wheel remote input
TUNER SECTION		
Frequency Range	FM	87.5 MHz to 108.0 MHz
	AM	(MW) 522 kHz to 1 620 kHz (LW) 144 kHz to 279 kHz
FM Tuner	Usable Sensitivity	11.3 dBf (1.0 μ V/75 Ω)
	50 dB Quieting Sensitivity	16.3 dBf (1.8 μ V/75 Ω)
	Alternate Channel Selectivity (400 kHz)	65 dB
	Frequency Response	40 Hz to 15 000 Hz
	Stereo Separation	30 dB
	Capture Ratio	1.5 dB
MW Tuner	Sensitivity	20 μ V
	Selectivity	35 dB
LW Tuner	Sensitivity	50 μ V
CD PLAYER SECTION		
Type		Compact disc player
Signal Detection System		Non-contact optical pickup (semiconductor laser)
Number of Channels		2 channels (stereo)
Frequency Response		5 Hz to 20 000 Hz
Dynamic Range		96 dB
Signal-to-Noise Ratio		98 dB
Wow and Flutter		Less than measurable limit
MP3 Decoding Format		MPEG1/2 Audio Layer 3 Max. Bit Rate: 320 kbps
WMA (Windows Media® Audio) Decoding Format		Max. Bit Rate: 192 kbps
GENERAL		
Power Requirement	Operating Voltage	DC 14.4 V (11 V to 16 V allowance)
Grounding System		Negative ground
Allowable Operating Temperature		0°C to +40°C
Dimensions (W × H × D)	Installation Size (approx.)	182 mm × 52 mm × 150 mm
	Panel Size (approx.)	188 mm × 58 mm × 11 mm
Mass (approx.)		1.2 kg (excluding accessories)

Design and specifications are subject to change without notice.

KD-G323/KD-G324

AUDIO AMPLIFIER SECTION		
Maximum Power Output	Front	50 W per channel
	Rear	50 W per channel
Continuous Power Output (RMS)	Front	19 W per channel into 4 Ω , 40 Hz to 20 000 Hz at no more than 0.8% total harmonic distortion.
	Rear	19 W per channel into 4 Ω , 40 Hz to 20 000 Hz at no more than 0.8% total harmonic distortion.
Load Impedance		4 Ω (4 Ω to 8 Ω allowance)
Tone Control Range	Bass	± 10 dB at 100 Hz
	Treble	± 10 dB at 10 kHz
Frequency Response		40 Hz to 20 000 Hz
Signal-to-Noise Ratio		70 dB
Line-Out Level/Impedance		2.5 V/20 k Ω load (full scale)
Output Impedance		1 k Ω
TUNER SECTION		
Frequency Range	FM	87.5 MHz to 108.0 MHz
	AM	531 kHz to 1 602 kHz
FM Tuner	Usable Sensitivity	11.3 dBf (1.0 μ V/75 Ω)
	50 dB Quieting Sensitivity	16.3 dBf (1.8 μ V/75 Ω)
	Alternate Channel Selectivity (400 kHz)	65 dB
	Frequency Response	40 Hz to 15 000 Hz
	Stereo Separation	30 dB
	Capture Ratio	1.5 dB
AM Tuner	Sensitivity	20 μ V
	Selectivity	35 dB
CD PLAYER SECTION		
Type		Compact disc player
Signal Detection System		Non-contact optical pickup (semiconductor laser)
Number of Channels		2 channels (stereo)
Frequency Response		5 Hz to 20 000 Hz
Dynamic Range		96 dB
Signal-to-Noise Ratio		98 dB
Wow and Flutter		Less than measurable limit
MP3 Decoding Format		MPEG1/2 Audio Layer 3 Max. Bit Rate: 320 kbps
WMA (Windows Media® Audio) Decoding Format		Max. Bit Rate: 192 kbps
GENERAL		
Power Requirement	Operating Voltage	DC 14.4 V (11 V to 16 V allowance)
Grounding System		Negative ground
Allowable Operating Temperature		0°C to +40°C
Dimensions (W \times H \times D)	Installation Size (approx.)	182 mm \times 52 mm \times 150 mm
	Panel Size (approx.)	188 mm \times 58 mm \times 11 mm
Mass (approx.)		1.2 kg (excluding accessories)

Design and specifications are subject to change without notice.

AUDIO AMPLIFIER SECTION		
Maximum Power Output	Front	50 W per channel
	Rear	50 W per channel
Continuous Power Output (RMS)	Front	19 W per channel into 4 Ω , 40 Hz to 20 000 Hz at no more than 0.8% total harmonic distortion.
	Rear	19 W per channel into 4 Ω , 40 Hz to 20 000 Hz at no more than 0.8% total harmonic distortion.
Load Impedance		4 Ω (4 Ω to 8 Ω allowance)
Tone Control Range	Bass	± 10 dB at 100 Hz
	Treble	± 10 dB at 10 kHz
Frequency Response		40 Hz to 20 000 Hz
Signal-to-Noise Ratio		70 dB
Line-Out Level/Impedance		2.5 V/20 k Ω load (full scale)
Output Impedance		1 k Ω
TUNER SECTION		
Frequency Range	FM	87.5 MHz to 108.0 MHz
	AM	531 kHz to 1 602 kHz
FM Tuner	Usable Sensitivity	11.3 dBf (1.0 μ V/75 Ω)
	50 dB Quieting Sensitivity	16.3 dBf (1.8 μ V/75 Ω)
	Alternate Channel Selectivity (400 kHz)	65 dB
	Frequency Response	40 Hz to 15 000 Hz
	Stereo Separation	30 dB
	Capture Ratio	1.5 dB
AM Tuner	Sensitivity	20 μ V
	Selectivity	35 dB
CD PLAYER SECTION		
Type		Compact disc player
Signal Detection System		Non-contact optical pickup (semiconductor laser)
Number of Channels		2 channels (stereo)
Frequency Response		5 Hz to 20 000 Hz
Dynamic Range		96 dB
Signal-to-Noise Ratio		98 dB
Wow and Flutter		Less than measurable limit
MP3 Decoding Format		MPEG1/2 Audio Layer 3 Max. Bit Rate: 320 kbps
WMA (Windows Media® Audio) Decoding Format		Max. Bit Rate: 192 kbps
GENERAL		
Power Requirement	Operating Voltage	DC 14.4 V (11 V to 16 V allowance)
Grounding System		Negative ground
Allowable Operating Temperature		0°C to +40°C
Dimensions (W \times H \times D)	Installation Size (approx.)	182 mm \times 52 mm \times 150 mm
	Panel Size (approx.)	188 mm \times 58 mm \times 11 mm
Mass (approx.)		1.2 kg (excluding accessories)


Design and specifications are subject to change without notice.

AUDIO AMPLIFIER SECTION		
Maximum Power Output	Front	50 W per channel
	Rear	50 W per channel
Continuous Power Output (RMS)	Front	19 W per channel into 4 Ω, 40 Hz to 20 000 Hz at no more than 0.8% total harmonic distortion.
	Rear	19 W per channel into 4 Ω, 40 Hz to 20 000 Hz at no more than 0.8% total harmonic distortion.
Load Impedance		4 Ω (4 Ω to 8 Ω allowance)
Tone Control Range	Bass	±10 dB at 100 Hz
	Treble	±10 dB at 10 kHz
Frequency Response		40 Hz to 20 000 Hz
Signal-to-Noise Ratio		70 dB
Line-Out Level/Impedance		2.5 V/20 kΩ load (full scale)
Output Impedance		1 kΩ
TUNER SECTION		
Frequency Range	FM1/FM2	87.5 MHz to 108.0 MHz
	FM3	65.00 MHz to 74.00 MHz
	AM	(MW) 522 kHz to 1 620 kHz (LW) 144 kHz to 279 kHz
FM Tuner	Usable Sensitivity	11.3 dBf (1.0 μV/75 Ω)
	50 dB Quieting Sensitivity	16.3 dBf (1.8 μV/75 Ω)
	Alternate Channel Selectivity (400 kHz)	65 dB
	Frequency Response	40 Hz to 15 000 Hz
	Stereo Separation	30 dB
	Capture Ratio	1.5 dB
MW Tuner	Sensitivity	20 μV
	Selectivity	35 dB
LW Tuner	Sensitivity	50 μV
CD PLAYER SECTION		
Type		Compact disc player
Signal Detection System		Non-contact optical pickup (semiconductor laser)
Number of Channels		2 channels (stereo)
Frequency Response		5 Hz to 20 000 Hz
Dynamic Range		96 dB
Signal-to-Noise Ratio		98 dB
Wow and Flutter		Less than measurable limit
MP3 Decoding Format		MPEG1/2 Audio Layer 3 Max. Bit Rate: 320 kbps
WMA (Windows Media® Audio) Decoding Format		Max. Bit Rate: 192 kbps
GENERAL		
Power Requirement	Operating Voltage	DC 14.4 V (11 V to 16 V allowance)
Grounding System		Negative ground
Allowable Operating Temperature		0°C to +40°C
Dimensions (W × H × D)	Installation Size (approx.)	182 mm × 52 mm × 150 mm
	Panel Size (approx.)	188 mm × 58 mm × 11 mm
Mass (approx.)		1.2 kg (excluding accessories)

Design and specifications are subject to change without notice.

SECTION 1 PRECAUTIONS

1.1 Safety Precautions

 **CAUTION** Burrs formed during molding may be left over on some parts of the chassis. Therefore, pay attention to such burrs in the case of performing repair of this system.

 **CAUTION** Please use enough caution not to see the beam directly or touch it in case of an adjustment or operation check.

1.2 Preventing static electricity

Electrostatic discharge (ESD), which occurs when static electricity stored in the body, fabric, etc. is discharged, can destroy the laser diode in the traverse unit (optical pickup). Take care to prevent this when performing repairs.

1.2.1 Grounding to prevent damage by static electricity

Static electricity in the work area can destroy the optical pickup (laser diode) in devices such as CD players.

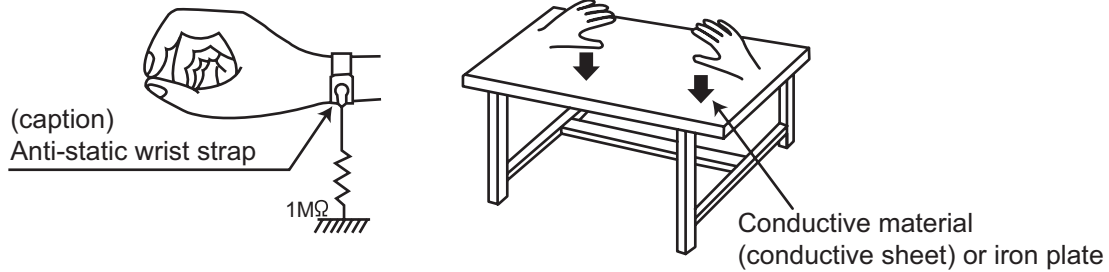
Be careful to use proper grounding in the area where repairs are being performed.

(1) Ground the workbench

Ground the workbench by laying conductive material (such as a conductive sheet) or an iron plate over it before placing the traverse unit (optical pickup) on it.

(2) Ground yourself

Use an anti-static wrist strap to release any static electricity built up in your body.



(3) Handling the optical pickup

- In order to maintain quality during transport and before installation, both sides of the laser diode on the replacement optical pickup are shorted. After replacement, return the shorted parts to their original condition. (Refer to the text.)
- Do not use a tester to check the condition of the laser diode in the optical pickup. The tester's internal power source can easily destroy the laser diode.

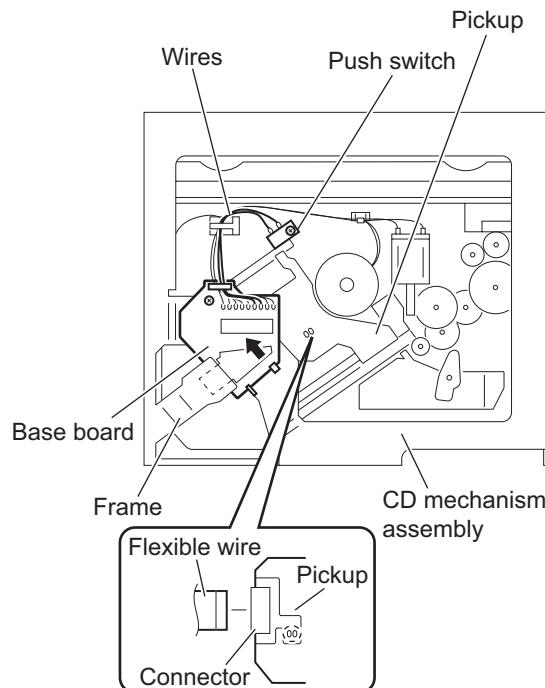
1.3 Handling the traverse unit (optical pickup)

- (1) Do not subject the traverse unit (optical pickup) to strong shocks, as it is a sensitive, complex unit.
- (2) Cut off the shorted part of the flexible cable using nippers, etc. after replacing the optical pickup. For specific details, refer to the replacement procedure in the text. Remove the anti-static pin when replacing the traverse unit. Be careful not to take too long a time when attaching it to the connector.
- (3) Handle the flexible cable carefully as it may break when subjected to strong force.
- (4) It is not possible to adjust the semi-fixed resistor that adjusts the laser power. Do not turn it.

1.4 Attention when traverse unit is decomposed

***Please refer to "Disassembly method" in the text for the CD pickup unit.**

- Apply solder to the short land before the flexible wire is disconnected from the connector on the CD pickup unit. (If the flexible wire is disconnected without applying solder, the CD pickup may be destroyed by static electricity.)
- In the assembly, be sure to remove solder from the short land after connecting the flexible wire.



1.5 Important for laser products

1.CLASS 1 LASER PRODUCT

2.DANGER : Invisible laser radiation when open and interlock failed or defeated. Avoid direct exposure to beam.

3.CAUTION : There are no serviceable parts inside the Laser Unit. Do not disassemble the Laser Unit. Replace the complete Laser Unit if it malfunctions.

4.CAUTION : The CD,MD and DVD player uses invisible laser radiation and is equipped with safety switches which prevent emission of radiation when the drawer is open and the safety interlocks have failed or are defeated. It is dangerous to defeat the safety switches.

5.CAUTION : If safety switches malfunction, the laser is able to function.

6.CAUTION : Use of controls, adjustments or performance of procedures other than those specified here in may result in hazardous radiation exposure.



CAUTION Please use enough caution not to see the beam directly or touch it in case of an adjustment or operation check.

CAUTION : Visible and invisible laser radiation when open and interlock failed or defeated.

AVOID DIRECT EXPOSURE TO BEAM.

ADVARSEL : Synlig og usynlig laserstråling når maskinen er åben eller interlocken fejler. Undgå direkte eksponering til stråling.

VARNING : Synlig och osynlig laserstråling när den öppnas och spärren är urkopplad. Betrakta ej strålen.

VARO : Avattaessa ja suojalukitus ohitettuna tai viallisena olet alltiina näkyvälle ja näkymättömälle lasersäteilylle. Vältä säteen kohdistumista suoraan itseesi.

REPRODUCTION AND POSITION OF LABELS

WARNING LABEL



CAUTION : Visible and Invisible laser radiation when open and interlock failed or defeated. AVOID DIRECT EXPOSURE TO BEAM.	ADVARSEL : Synlig og usynlig laserstråling når maskinen er åben eller interlocken fejler. Undgå direkte eksponering til stråling.	VARNING : Synlig och osynlig laserstråling när den öppnas och spärren är urkopplad. Betrakta ej strålen.	VARO : Avattaessa ja suojalukitus ohitettuna tai viallisena olet alltiina näkyvälle ja näkymättömälle lasersäteilylle. Vältä säteen kohdistumista suoraan itseesi.
(e)	(d)	(s)	(f)

SECTION 2 SPECIFIC SERVICE INSTRUCTIONS

2.1 Difference point

	KD-AR270 KD-G220,KD-G227	KD-G322 KD-G321	KD-G323,KD-G324 KD-G325,KD-G326	KD-G327
Remote ready	YES	NO	YES	YES
Steering remote ready	NO	YES	NO	NO
Power antenna	NO	NO	YES	NO
Telephone Muting	NO	YES	NO	YES

2.2 CD mechanism assembly

For CD mechanism, please refer mechanism annual No. MY003.

SECTION 3 DISASSEMBLY

3.1 Main body section

3.1.1 Removing the front panel assembly (See Fig.11)

- (1) Push the detach button in the lower right part of the front panel assembly and remove the front panel assembly.

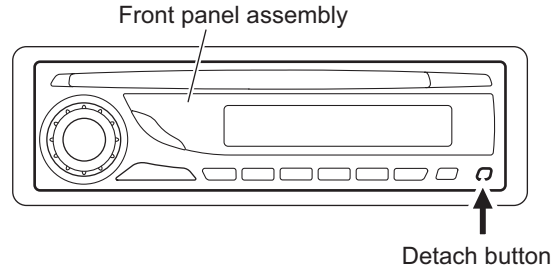


Fig.1

3.1.2 Removing the bottom cover (See Fig.2)

- (1) Turn the main body up side down.
- (2) Insert a screwdriver under the joints to release the two joints **a** on the left side, two joints **b** on the right side and joint **c** on the back side of the main body, then remove the bottom cover from the main body.

Note:

When releasing the joints using a screwdriver, do not damage the main board.

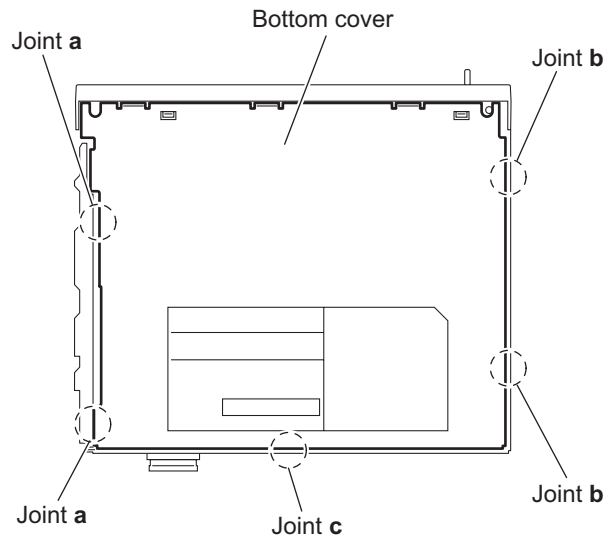


Fig.2

3.1.3 Removing the front chassis assembly (See Fig.3)

- Remove the front panel assembly and bottom cover.
- (1) Remove the two screws **A** on the both sides of the main body.
- (2) Release the joint **d** and joint **e** on the both sides of the main body, then remove the front chassis assembly toward the front.

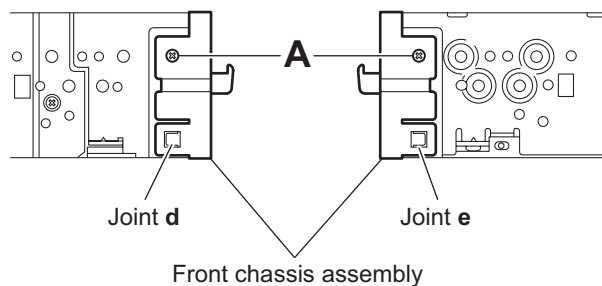


Fig.3

3.1.4 Removing the side panel (See Fig.4)

Reference:

Remove the front panel assembly as required.

- (1) Remove the screw **B** and two screws **C** attaching the side panel on the left side of the main body.
- (2) Remove the side panel from the main body.

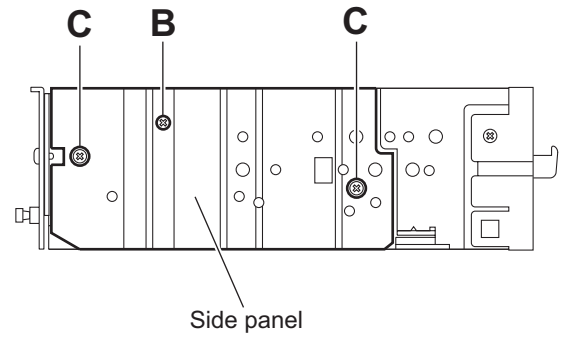


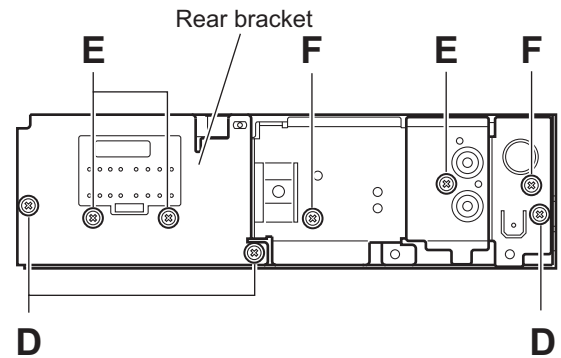
Fig.4

3.1.5 Removing the rear bracket (See Fig.5)

- Remove the bottom cover.

- (1) Remove the three screws **D**, three screws **E** and two screws **F** attaching the rear bracket on the back side of the main body. (For KD-AR270, KD-G220, KD-G227, KD-G323, KD-G324, KD-G325, KD-G326, KD-G327)
- (2) Remove the four screws **D**, three screws **E** and two screws **F** attaching the rear bracket on the back side of the main body. (For KD-G321, KD-G322)
- (3) Remove the rear bracket.

(For KD-AR270, KD-G220, KD-G227, KD-G323, KD-G324, KD-G325, KD-G326, KD-G327)



(For KD-G321, KD-G322)

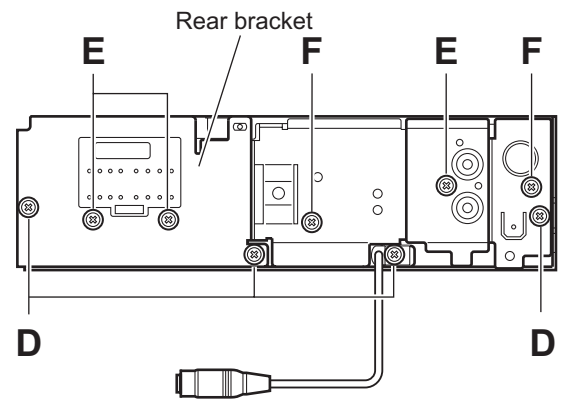


Fig.5

3.1.6 Removing the main board (See Figs.5 and 6)

- Remove the front panel assembly, bottom cover and side panel.

Reference:

Remove the front chassis assembly as required.

- Remove the three screws **D** attaching the rear bracket on the back side of the main body. (See Fig.5.)
- Remove the two screws **G** attaching the main board. (See Fig.6.)
- Disconnect the connector [CN501](#) on the main board from the main body and take out the main board with the rear bracket. (See Fig.6.)

Reference:

Remove the rear bracket from the main body as required. (See "3.1.5 Removing the rear bracket".)

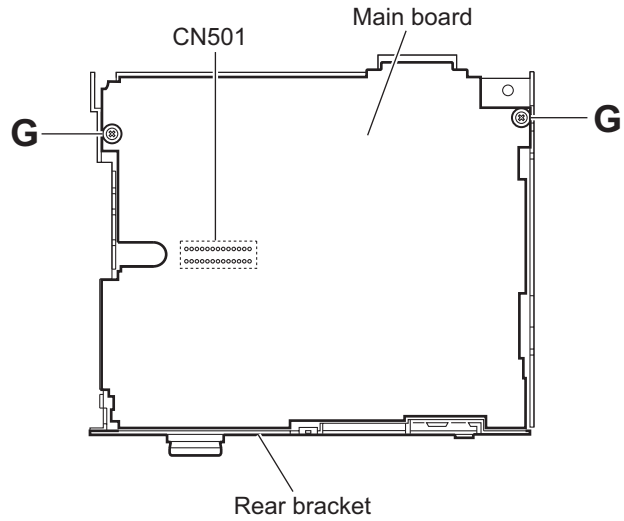


Fig.6

3.1.7 Removing the CD mechanism assembly (See Fig. 7)

- Remove the front panel assembly, bottom cover, side panel, rear bracket and main board.

Reference:

Remove the front chassis assembly as required.

- Remove the three screws **H** attaching the CD mechanism assembly on the top chassis.
- Take out the CD mechanism assembly.

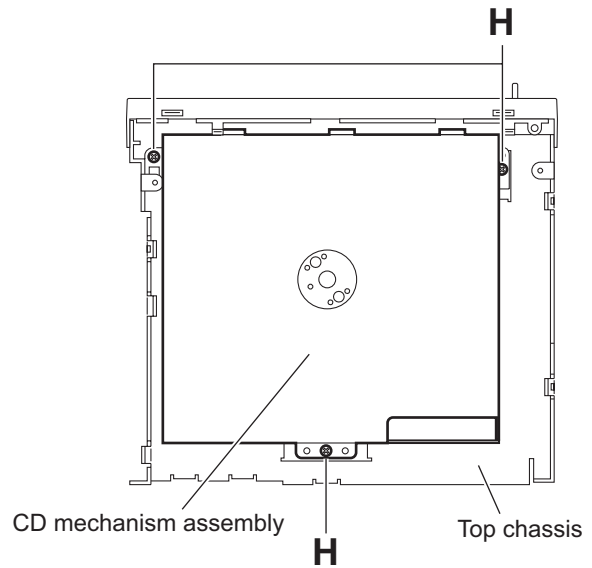


Fig.7

3.1.8 Removing the switch board (See Figs.8 to 10)

- Remove the front panel assembly.
 - Remove the four screws **J** on the back side of the front panel assembly. (See Fig.8.)
 - Release the joints **f** and remove the rear cover. (See Fig.9.)
 - Release the joint **g** and take out the switch board from the front panel assembly. (See Fig.10.)

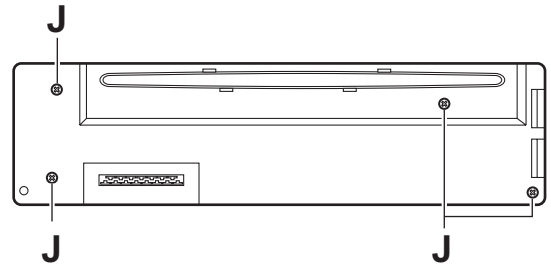


Fig.8

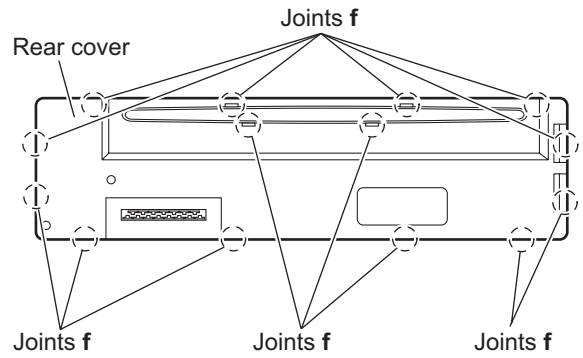


Fig.9

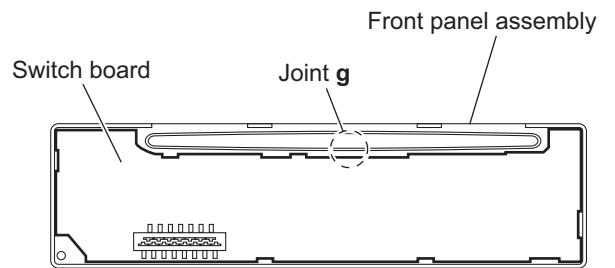


Fig.10

SECTION 4 ADJUSTMENT

4.1 Adjustment method

■ Test instruments required for adjustment

- (1) Digital oscilloscope (100MHz)
- (2) Electric voltmeter
- (3) Digital tester
- (4) Tracking offset meter
- (5) Test Disc JVC :CTS-1000
- (6) Extension cable for check
EXTSH002-22P × 1

■ Standard volume position

Balance and Bass & Treble volume : Indication "0"
Loudness : OFF

■ How to connect the extension cable for adjusting

Caution:

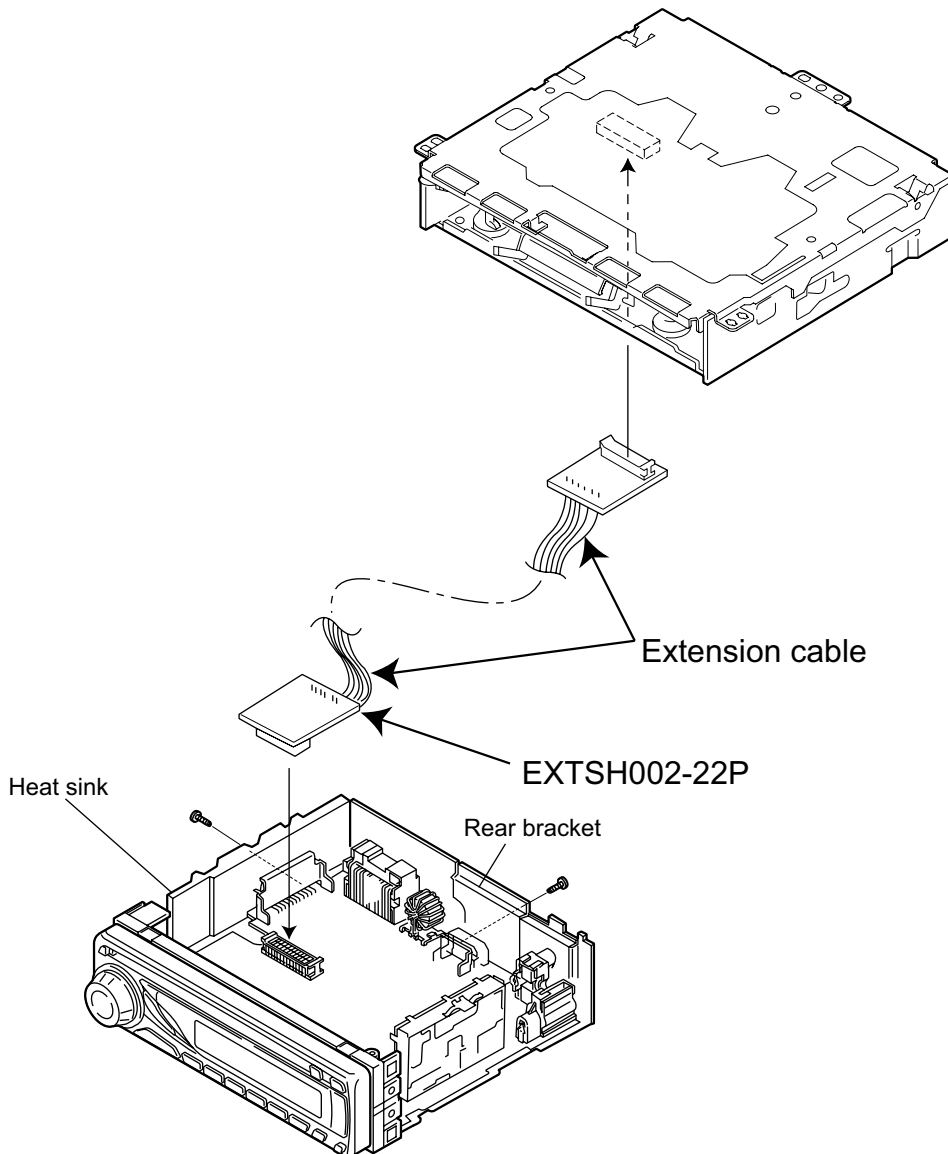
Be sure to attach the heat sink and rear bracket onto the power amplifier IC and regulator IC respectively, before supply the power. If voltage is applied without attaching these parts, the power amplifier IC and regulator IC will be destroyed by heat.

■ Standard measuring conditions

Power supply voltage	DC14.4V(10.5 to 16V)
Load impedance	20K Ω (2 Speakers connection)
Output Level	Line out 2.0V (Vol. MAX)

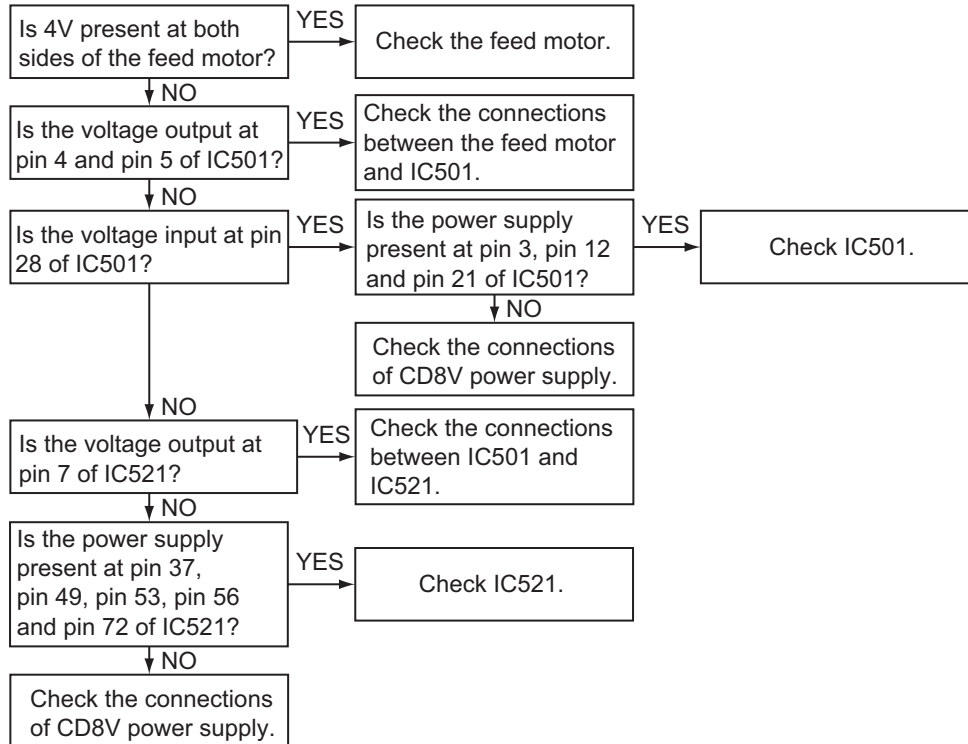
■ Dummy load

Exclusive dummy load should be used for AM, and FM. For FM dummy load, there is a loss of 6dB between SSG output and antenna input. The loss of 6dB need not be considered since direct reading of figures are applied in this working standard.

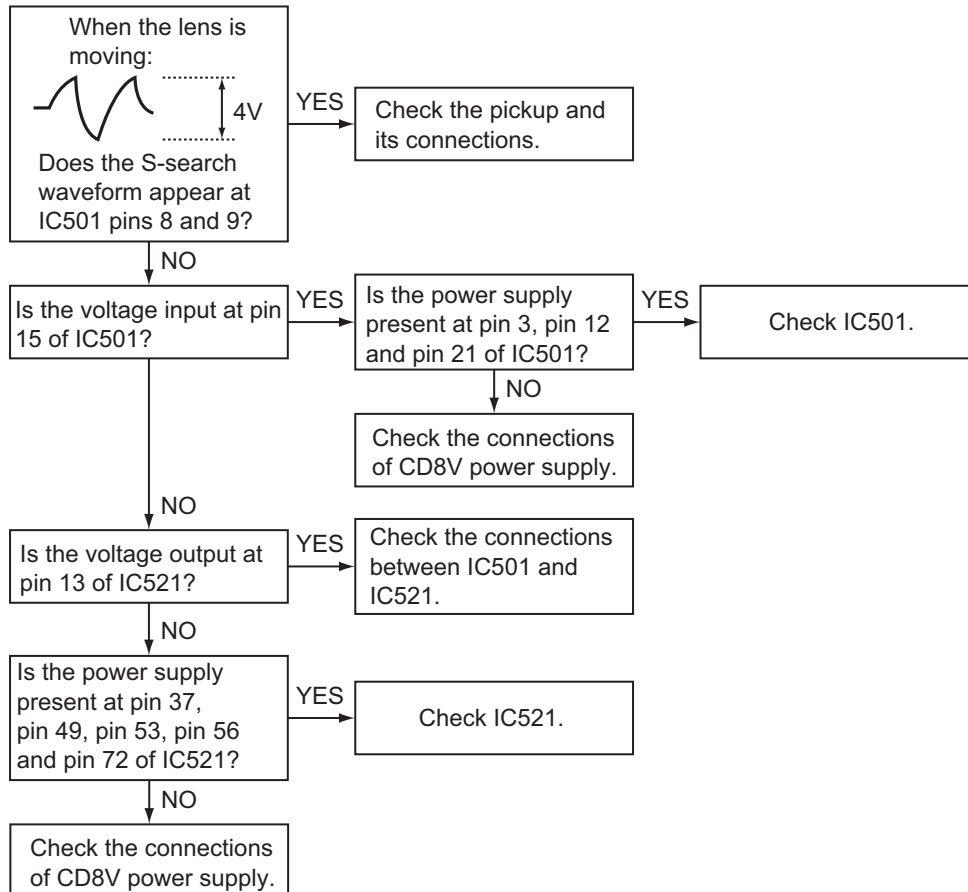


SECTION 5 TROUBLESHOOTING

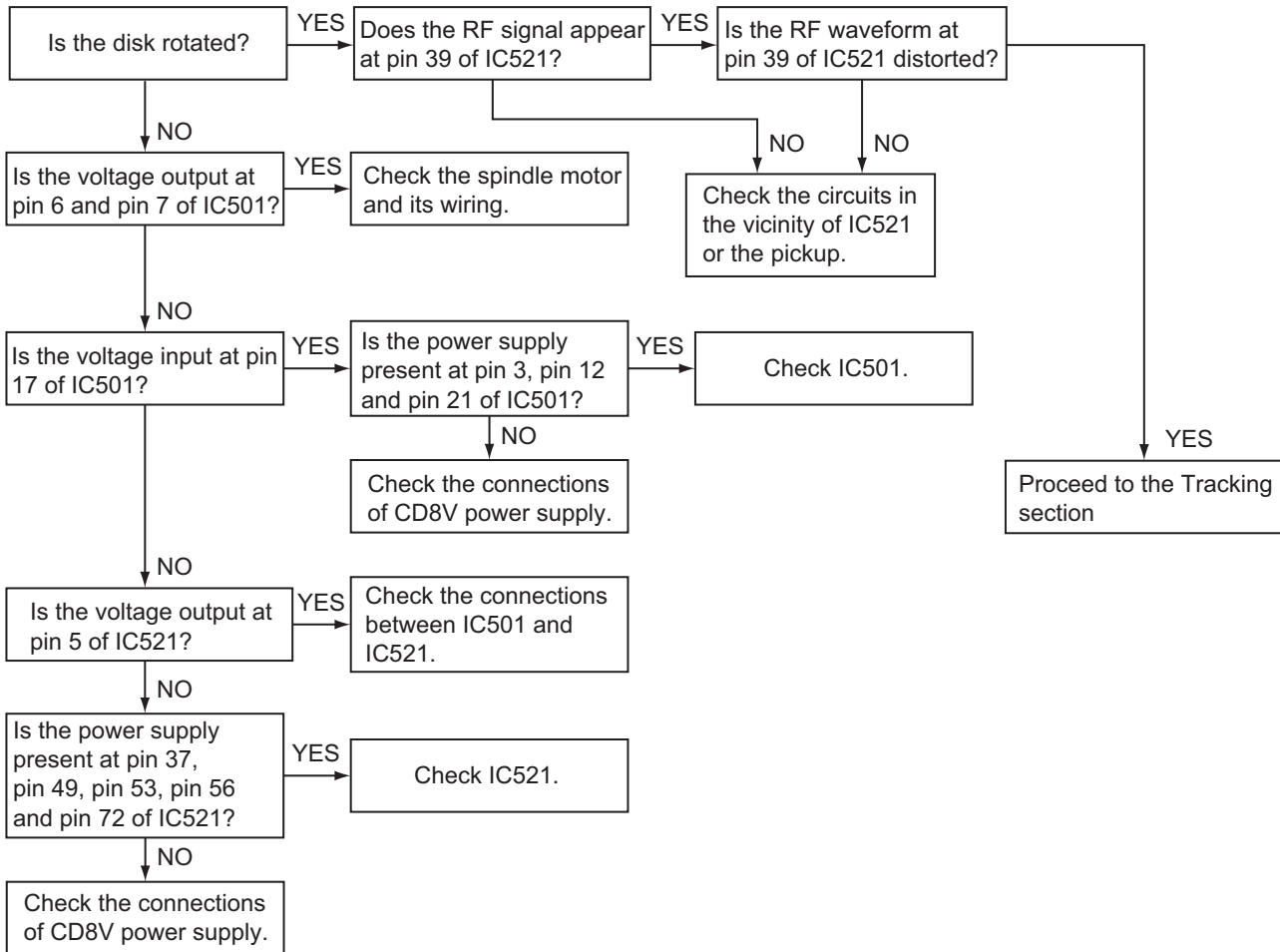
5.1 Feed section



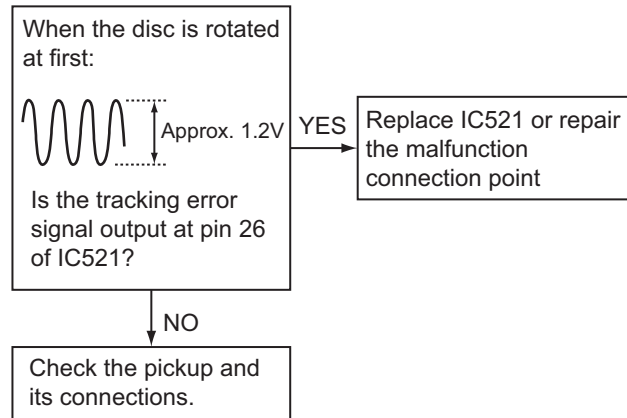
5.2 Focus section



5.3 Spindle section



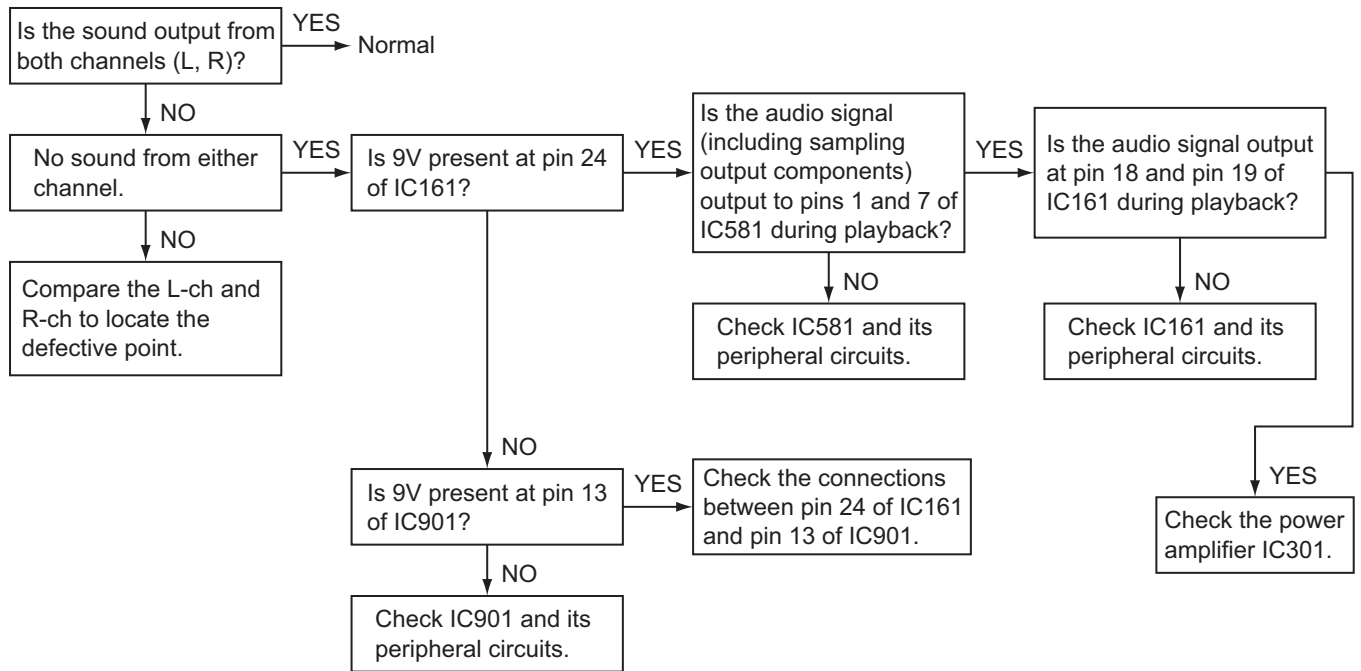
5.4 Tracking section



5.5 Signal processing section

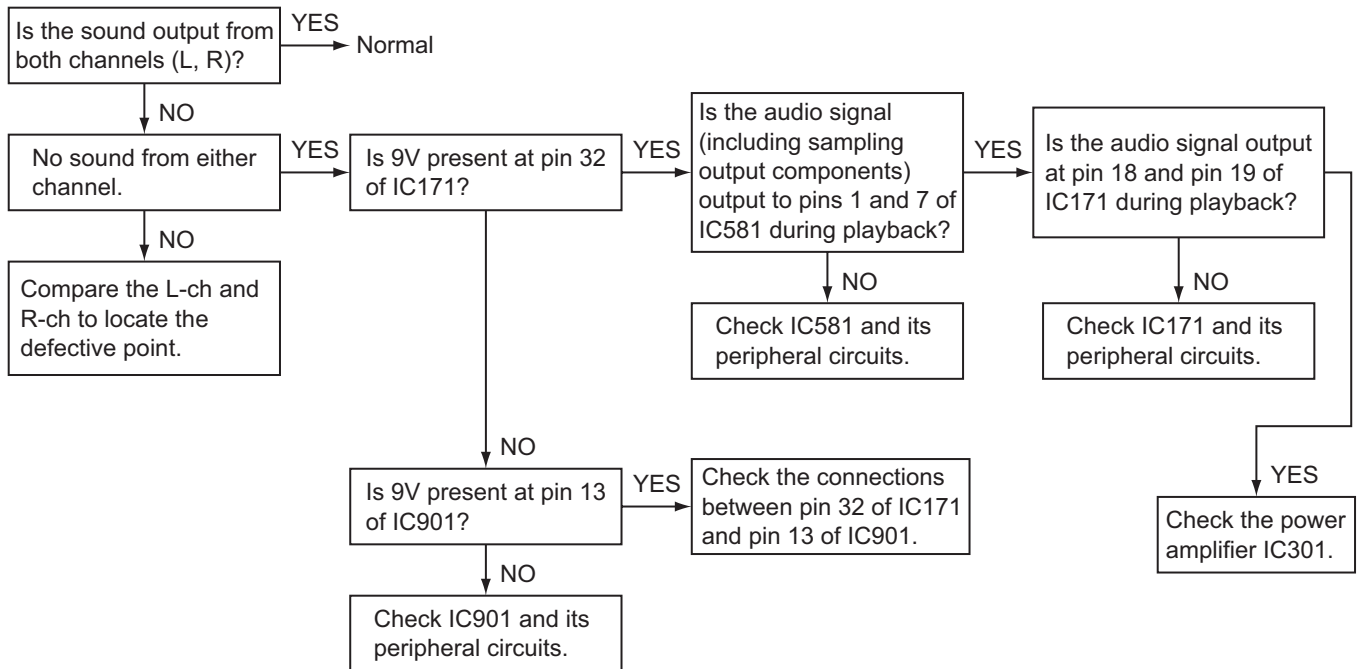
5.5.1 Signal processing section

(For KD-AR270, KD-G220, KD-G227, KD-G323, KD-G324, KD-G325 and KD-G326)



5.5.2 Signal processing section

(For KD-G321, KD-G322 and KD-G327)



5.6 Maintenance of laser pickup

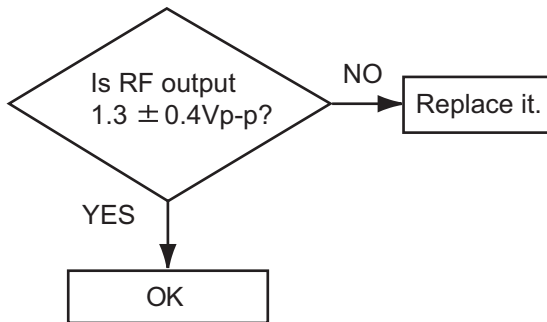
(1) Cleaning the pick up lens

Before you replace the pick up, please try to clean the lens with a alcohol soaked cotton swab.

(2) Life of the laser diode

When the life of the laser diode has expired, the following symptoms will appear.

- The level of RF output (EFM output: amplitude of eye pattern) will be low.

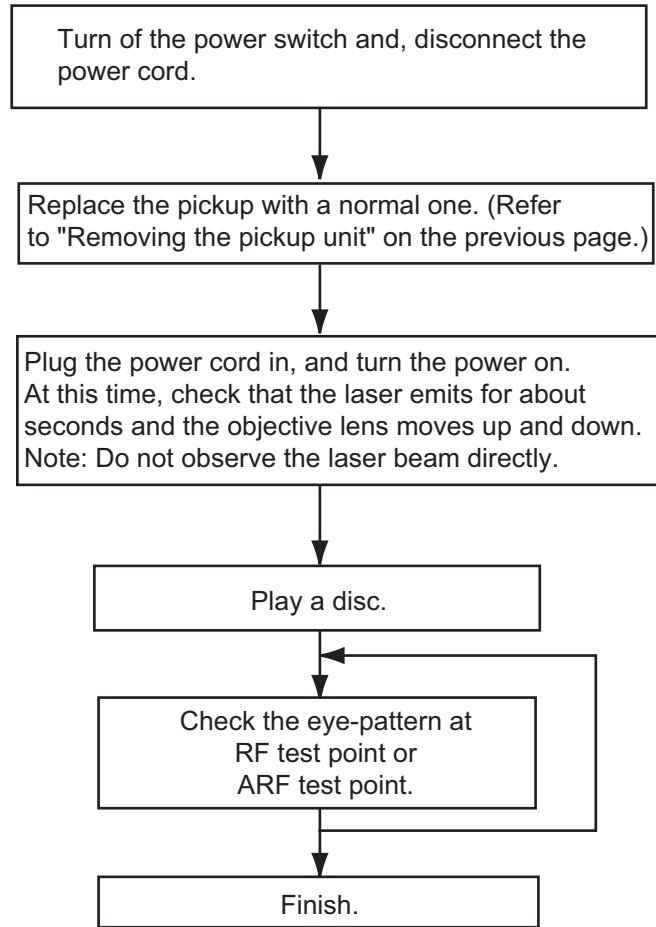


(3) Semi-fixed resistor on the APC PC board

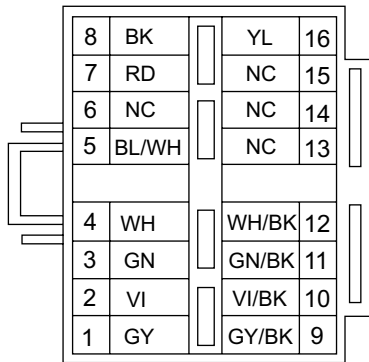
The semi-fixed resistor on the APC printed circuit board which is attached to the pickup is used to adjust the laser power. Since this adjustment should be performed to match the characteristics of the whole optical block, do not touch the semi-fixed resistor.

If the laser power is lower than the specified value, the laser diode is almost worn out, and the laser pickup should be replaced. If the semi-fixed resistor is adjusted while the pickup is functioning normally, the laser pickup may be damaged due to excessive current.

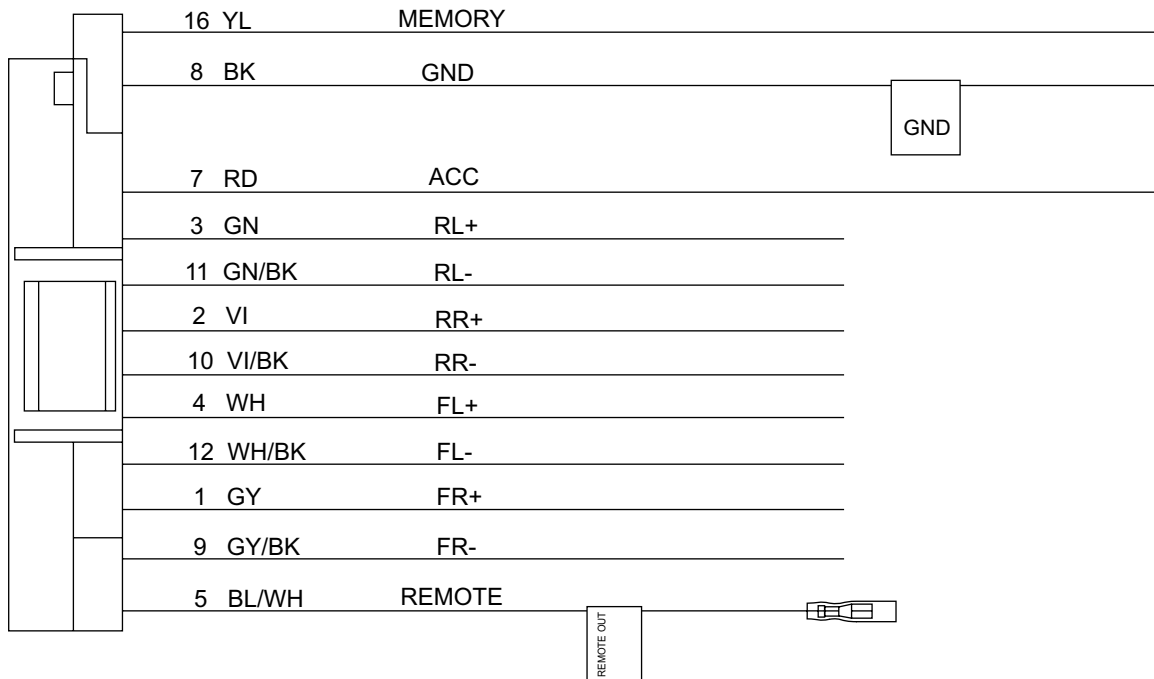
5.7 Replacement of laser pickup



5.8 16 PIN CORD DIAGRAM (for AR270,G220)

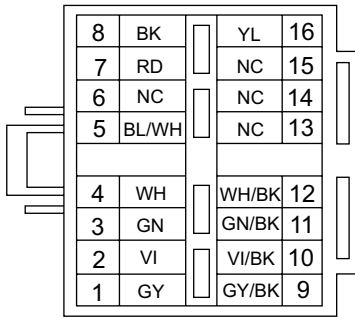


BK	Black	GN	Green
RD	Red	VI	Violet
BL	Blue	GY	Gray
WH	White	YL	Yellow

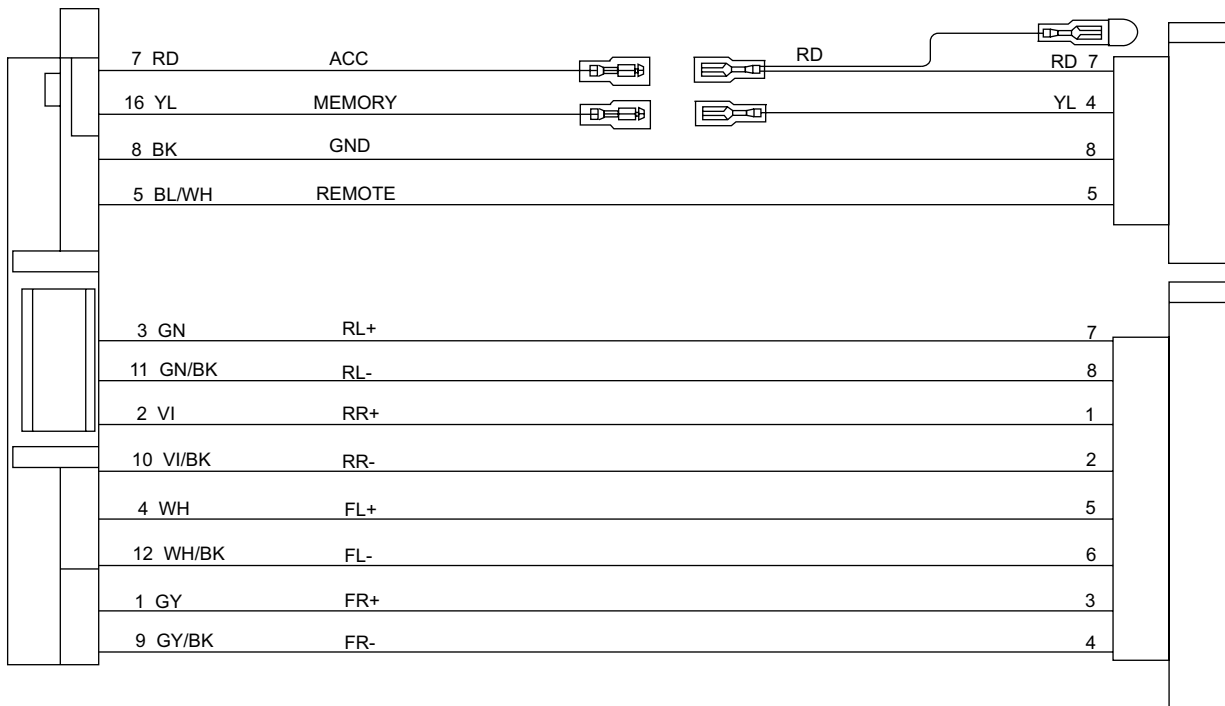
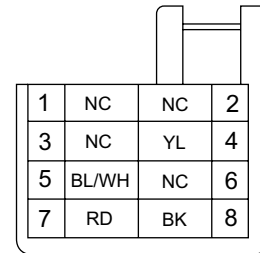


RR	Rear Right	REMOTE	Remote out
FR	Front Right	ACC	ACC Line
FL	Front Left	MEMORY	Memory Backup Battery+
RL	Rear Left	GND	Ground

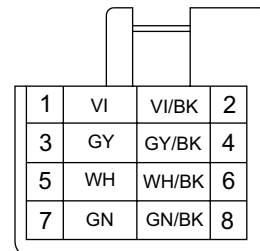
5.9 16 PIN CORD DIAGRAM (for G227)



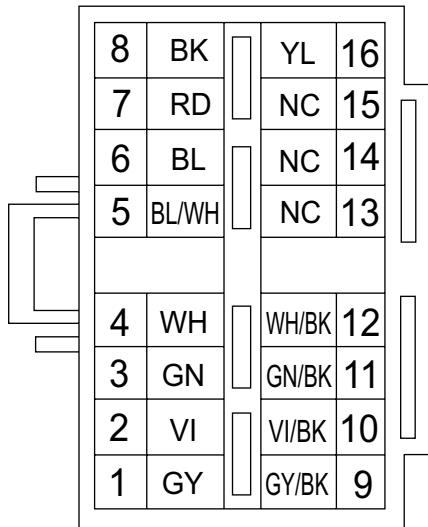
BK	Black	GN	Green
RD	Red	VI	Violet
BL	Blue	GY	Gray
WH	White	YL	Yellow



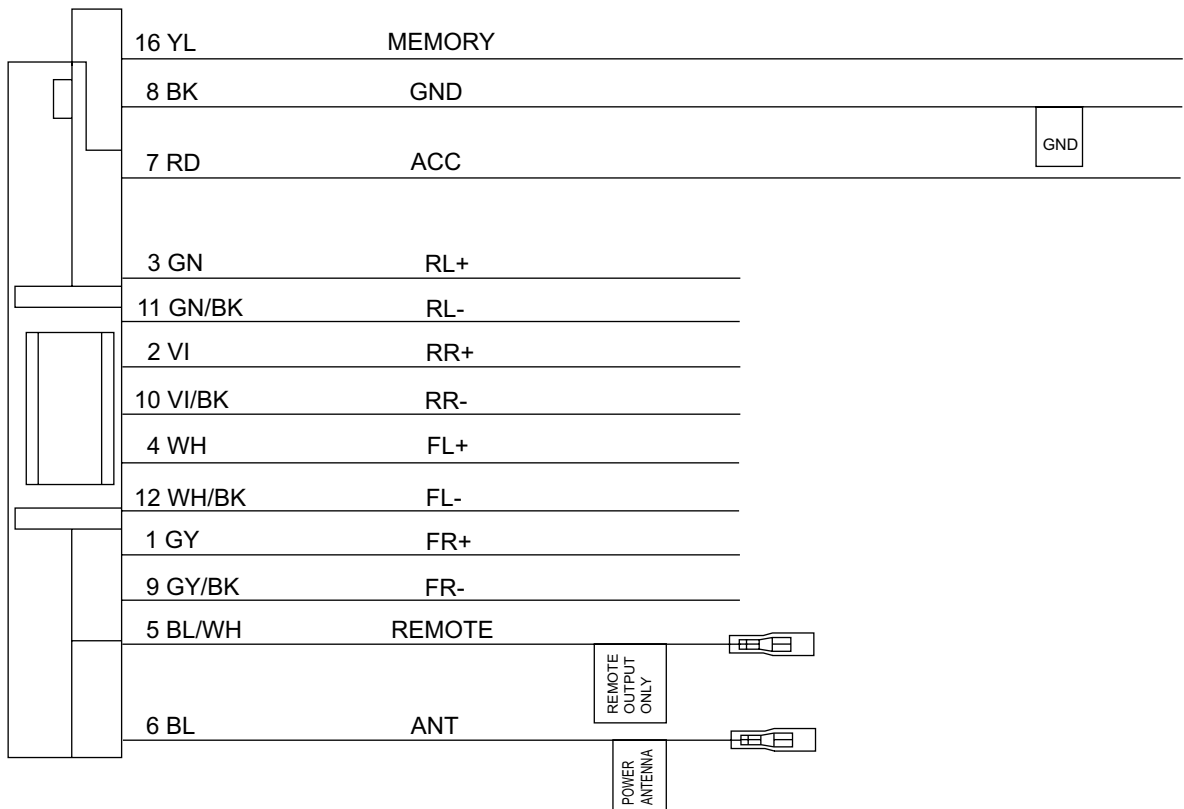
RR	Rear Right	REMOTE	Remote out
FR	Front Right	ACC	ACC Line
FL	Front Left	MEMORY	Memory Backup Battery+
RL	Rear Left	GND	Ground



5.10 16 PIN CORD DIAGRAM (for G323,G324,G325,G326)

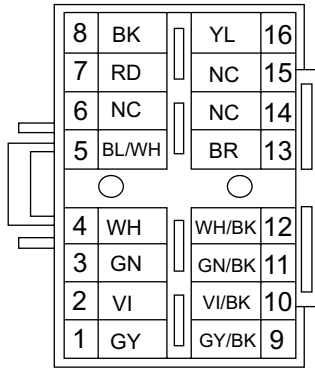


BK	Black	GN	Green
RD	Red	VI	Violet
BL	Blue	GY	Gray
WH	White	YL	Yellow

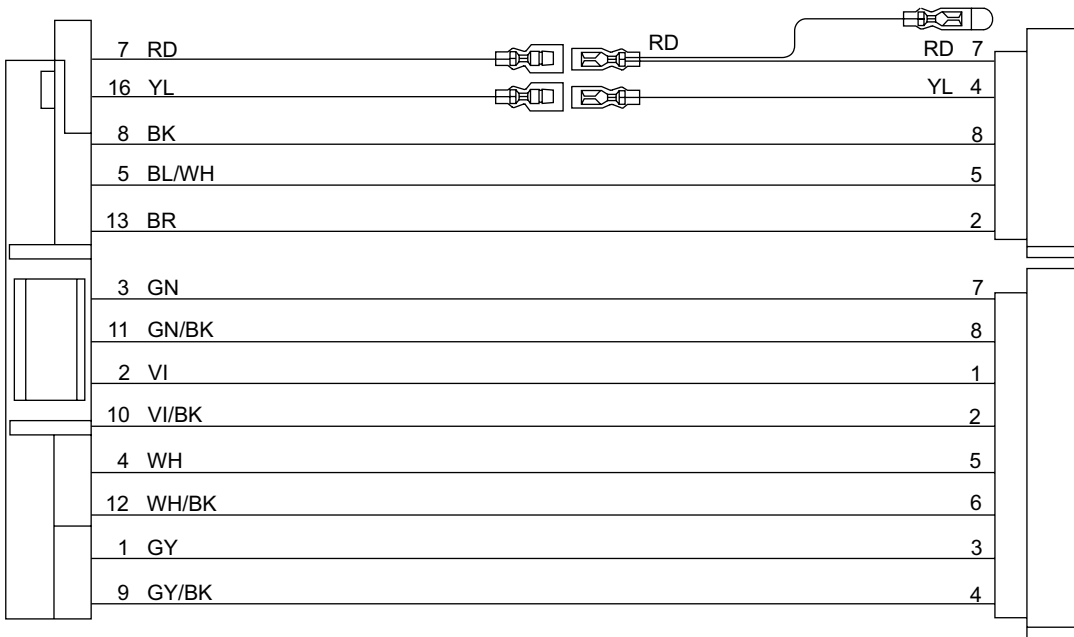
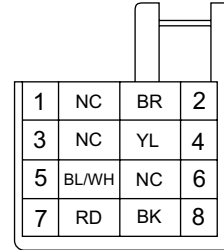


RR	Rear Right	ANT	Auto Antenna
FR	Front Right	ACC	ACC Line
FL	Front Left	GND	Ground
RL	Rear Left	MEMORY	Memory Backup Battery+
REMOTE	Remote		

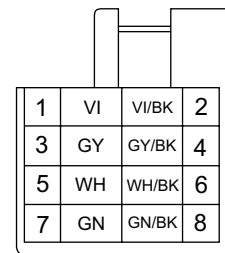
5.11 16PIN CORD DIAGRAM (for G321,G322,G327)



BK	Black	GN	Green
RD	Red	VI	Violet
BL	Blue	GY	Gray
WH	White	YL	Yellow
BR	Brown		



RR	Rear Right	ACC	ACC Line
FR	Front Right	TEL	Telephone Muting
FL	Front Left	GND	Ground
RL	Rear Left	MEMORY	Memory Backup Battery+
REMOTE	Remote	ANT	Auto Antenna
ILL	Illuminations Control		





JVC

Victor Company of Japan, Limited
Mobile Entertainment Business Group Mobile Entertainment Category 10-1,1chome,Ohwatari-machi,Maebashi-city,371-8543,Japan

(No.MA236)

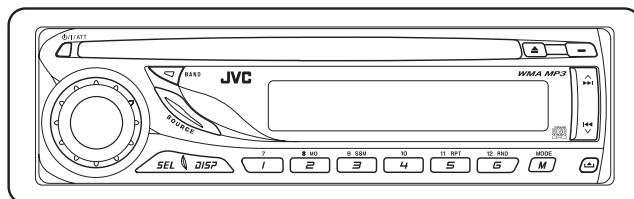
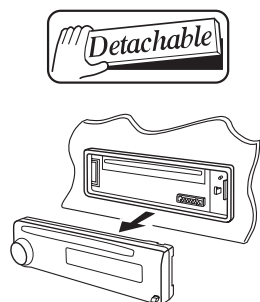
JVC

SCHEMATIC DIAGRAMS

CD RECEIVER

KD-AR270, KD-G220, KD-G227 KD-G321, KD-G322, KD-G323 KD-G324, KD-G325, KD-G326 KD-G327

CD-ROM No.SML200512



WMA MP3



Lead free solder used in the board (material : Sn-Ag-Cu, melting point : 219 Centigrade)

KD-AR270, KD-G220

Area suffix

J ----- Northern America

KD-G227, KD-G327

Area suffix

EE ----- Russian Federation

KD-G321, KD-G322

Area suffix

E ----- Southern Europe

EX ----- Northern Europe

EY ----- Eastern Europe

EU ----- Turkey

KD-G323, KD-G324

Area suffix

UI ----- India

KD-G325, KD-G326

Area suffix

UT ----- Taiwan

UH ----- Thailand


UN ----- Indonesia

U ----- Other Areas

Contents

Block diagram (For KD-AR270, KD-G220, KD-G227, KD-G323, KD-G324, KD-G325, KD-G326)	2-1
Standard schematic diagrams (For KD-AR270, KD-G220, KD-G323, KD-G324, KD-G325, KD-G326)	2-3
Standard schematic diagrams (For KD-G227)	2-11
Block diagram (For KD-G321, KD-G322, KD-G327)	2-19
Standard schematic diagrams (For KD-G321, KD-G322)	2-21
Standard schematic diagrams (For KD-G327)	2-29
Printed circuit boards	2-37 to 39

Safety precaution

 **CAUTION** Burrs formed during molding may be left over on some parts of the chassis. Therefore, pay attention to such burrs in the case of performing repair of this system.

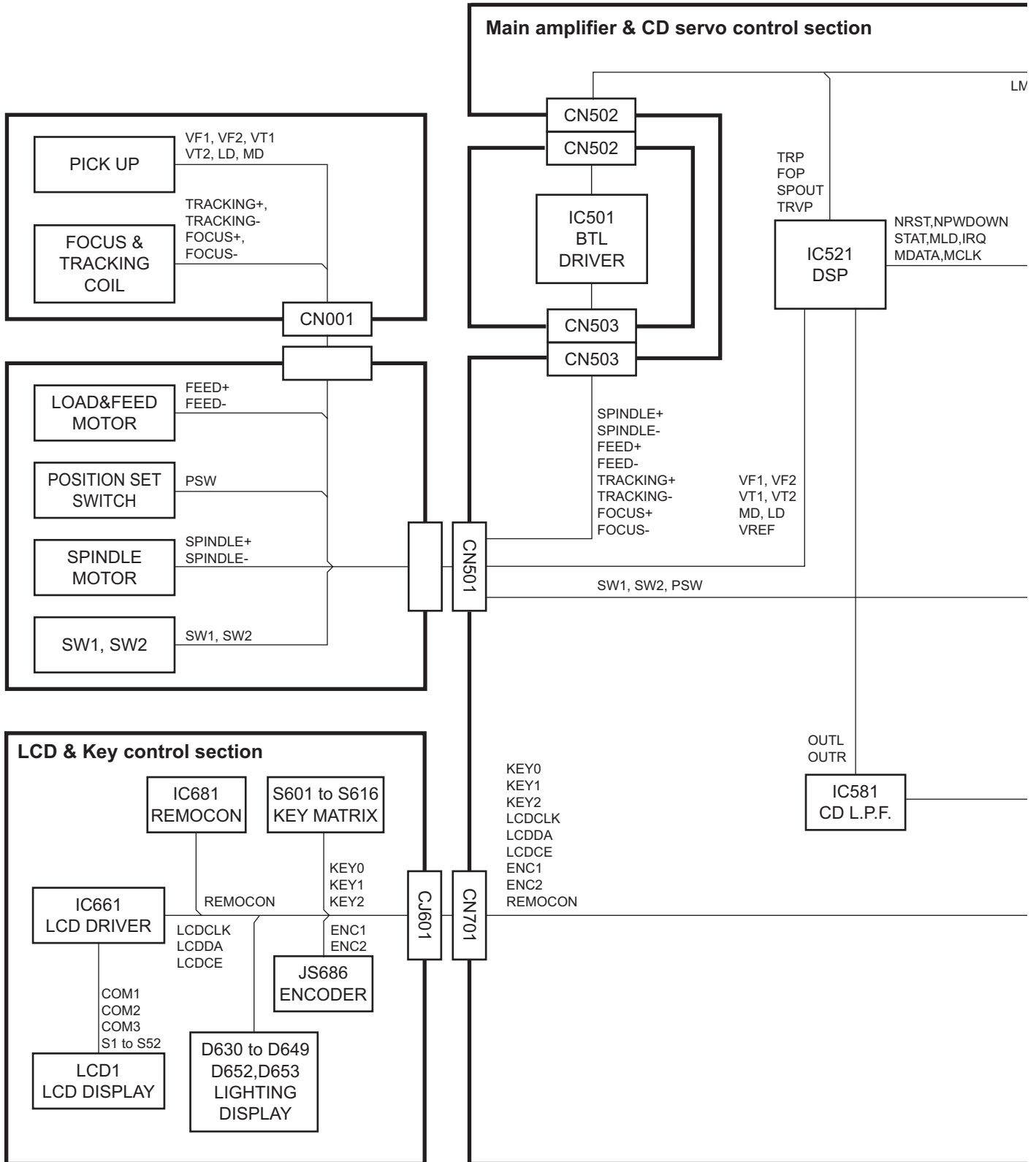
 **CAUTION** Please use enough caution not to see the beam directly or touch it in case of an adjustment or operation check.

Difference point

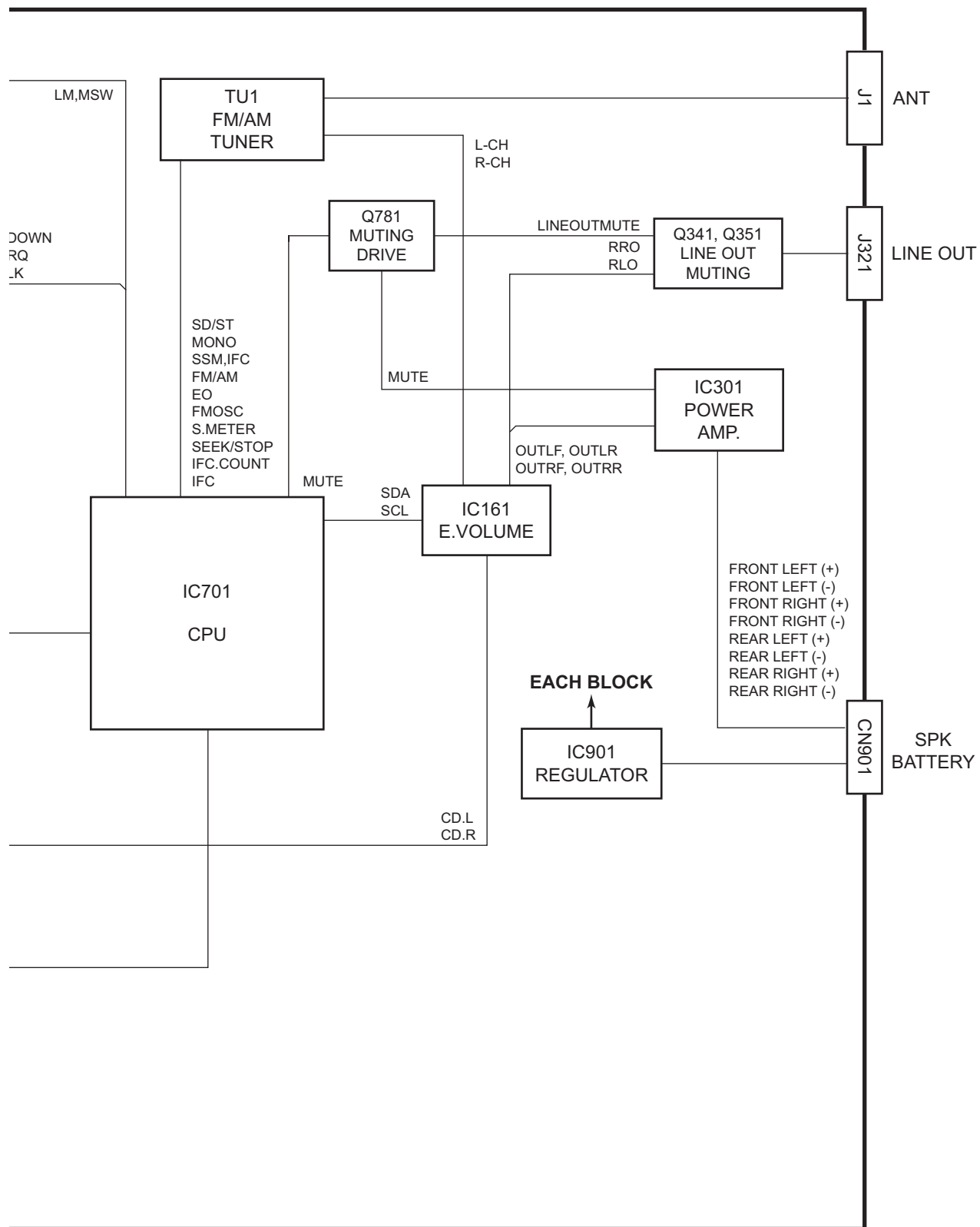
	KD-AR270 KD-G220,KD-G227	KD-G321 KD-G322	KD-G323,KD-G324 KD-G325,KD-G326	KD-G327
Remote ready	YES	NO	YES	YES
Steering remote ready	NO	YES	NO	NO
Power antenna	NO	NO	YES	NO
Telephone Muting	NO	YES	NO	YES

< MEMO >

Block diagram (For KD-AR270,KD-G220,KD-G227,KD-G323,KD-G324,KD-G325,KD-G3)



(D-G326)



Standard schematic diagrams (For KD-AR270, KD-G220, KD-G323, KD-G324, I

■ Main amplifier section

* REMARK

1. VERSION SETTING

MODEL	KD-AR270J KD-G220J	KD-G323UJ KD-G324UJ	KD-G325U SERIES KD-G326U SERIES
D701	USE	USE	NO USE
D702	USE	NO USE	NO USE
D703	USE	USE	NO USE
D704	USE	NO USE	NO USE

2. TUNER

MODEL	KD-AR270J KD-G220J	KD-G323UJ KD-G324UJ KD-G325U SERIES KD-G326U SERIES
C91-C91	0.022	0.012
C92-C92	0.0068	0.0056
R91-R91	3.3K	2.7K
R92-R92	3.3K	3.3K
OK	NOT USED	USED
R16	0 Ohm	100k
C11	0.01	330p

3. POWER ANTENNA

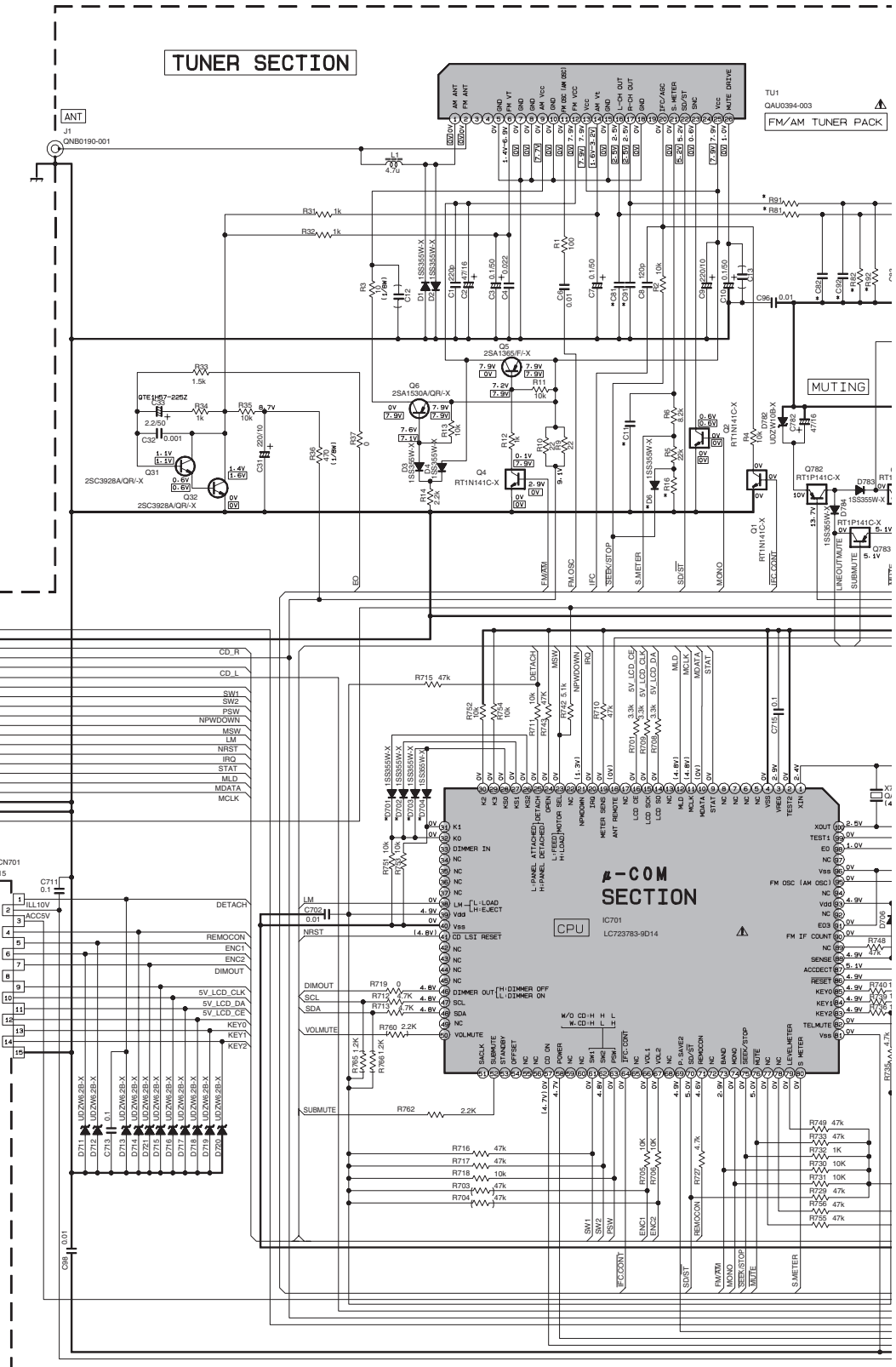
MODEL	KD-AR270J KD-G220J	KD-G323UJ KD-G324UJ KD-G325U SERIES KD-G326U SERIES
C913-C919 D916-D917 R919	NO USE	USE

4. POWER CORD

MODEL	KD-AR270J KD-G220J	KD-G323UJ KD-G324UJ KD-G325U SERIES KD-G326U SERIES
PART NO.	QAM0013-008	QAM0390-004

5. POWER LC

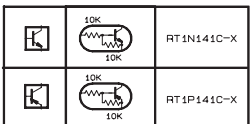
MODEL	KD-AR270J KD-G220J	KD-G323UJ KD-G324UJ KD-G325U SERIES KD-G326U SERIES	KD-G220J
IC301	LA47301	LA4743K	
C901	2700/16	2200/16	GE20769-278
R166-R167, R176-R177	0 Ohm (1/5W)	27K (1/5W)	
C361-C362, C363-C364			NO USE
R361-R362, R363-R364	USE		NO USE
C363-R319			
C305, C306-C307, C308			USE
B315	NO USE		
C301	0.22/50	3.3/50	
R301	1.0K	1.5K	
C311	0.47(1F)	22/16	
R302	10k	47k	



NOTES

- VOLTAGE ARE DC-MEASURED WITH A DIGITAL VOLTMETER WITHOUT INPUT SIGNAL CONDITION. ---FM(AM MODE). () CD MODE!
- UNLESS OTHERWISE SPECIFIED. ALL RESISTOR ARE 1/5W ±5%METAL GLAZE RESISTOR. ALL CAPACITOR ARE 50V OR 25V CERAMIC CAPACITOR. ALL RESISTANCE VALUES ARE IN OHM. ALL CAPACITANCE VALUES ARE IN UF (p=PF). ALL INDUCTANCE VALUES ARE IN UH. ALL E. CAPACITORS ARE SHOWN IN THE FORM OF CAPACITANCE(UF)/RATED VOLTAGE(V)

⚠ Parts are safety assurance pe
When replacing those parts m
sure to use the specified one.

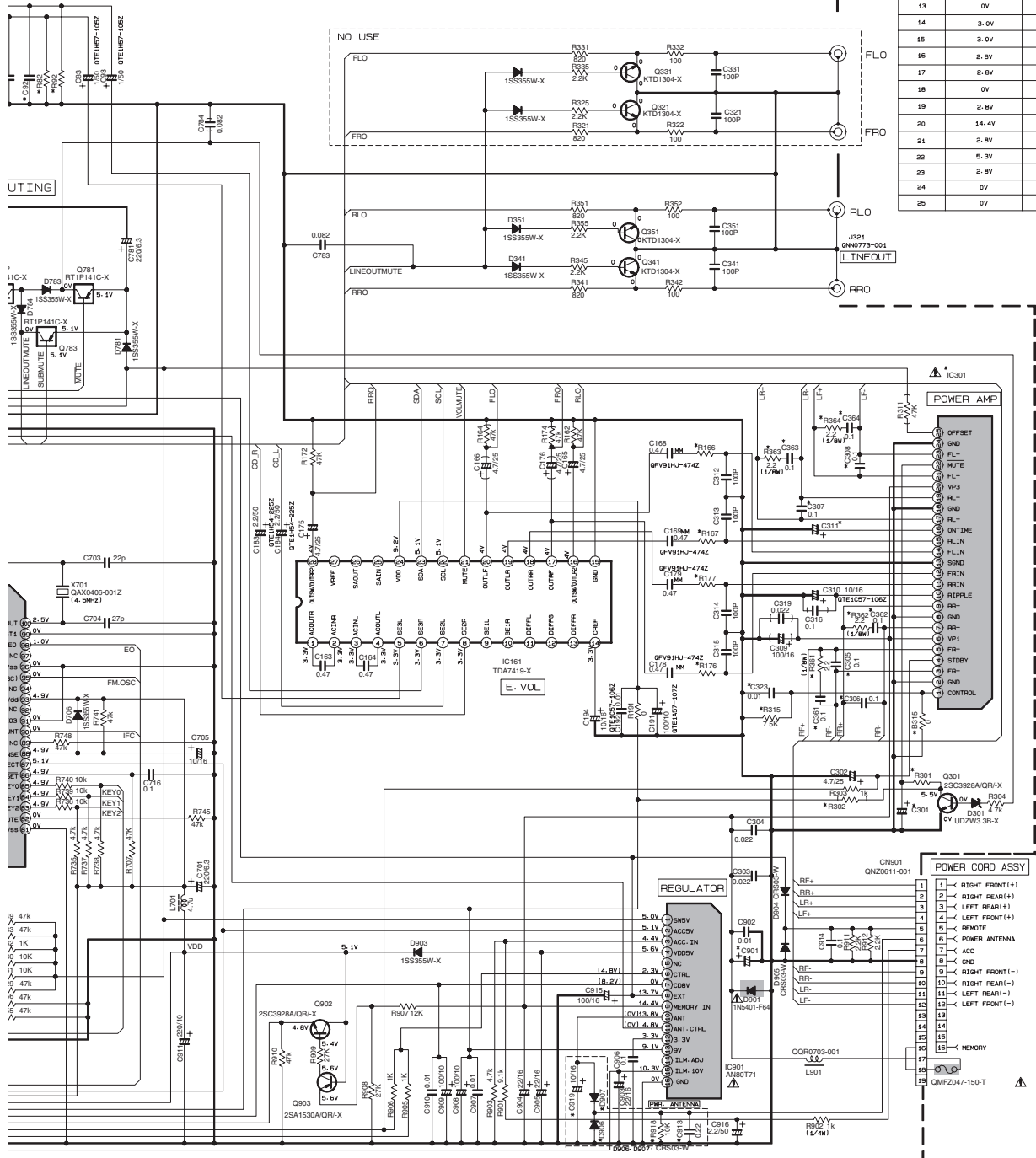


i324, KD-G325, KD-G326)

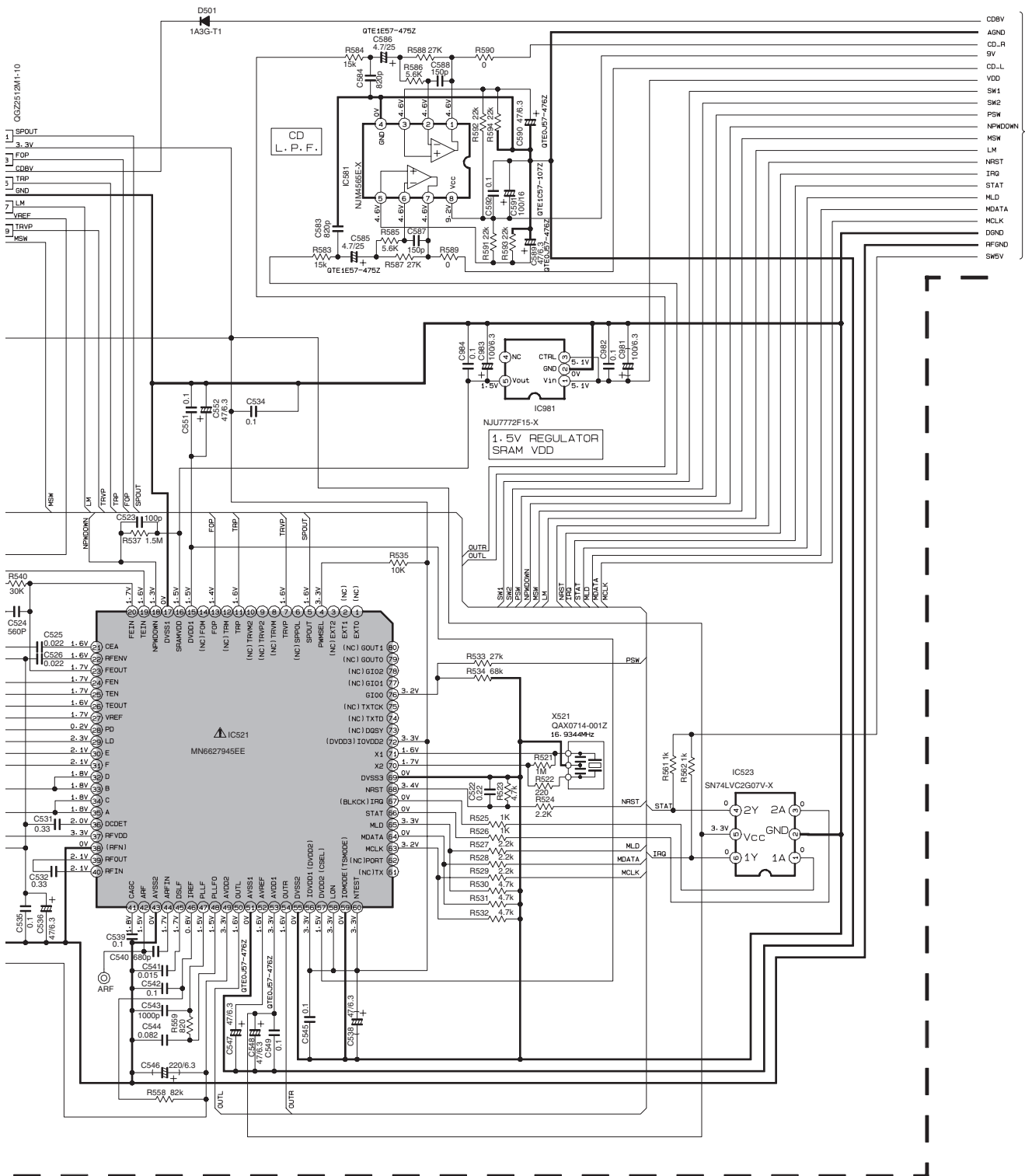
MAIN PWB: GEB10168A

IC301	LA4743K(45K)	LA4720(150K)
PIN		
1	0V	0V
2	0V	0V
3	2.8V	7.2V
4	4.7V	4.7V
5	2.8V	7.2V
6	14.4V	14.4V
7	2.8V	7.2V
8	0V	0V
9	2.8V	7.2V
10	13.2V	8.7V
11	3.0V	7.2V
12	3.0V	7.2V
13	0V	0V
14	3.0V	7.2V
15	3.0V	7.2V
16	2.8V	7.1V
17	2.8V	7.2V
18	0V	0V
19	2.8V	7.2V
20	14.4V	14.4V
21	2.8V	7.2V
22	5.3V	4.3V
23	2.8V	7.2V
24	0V	0V
25	0V	0V

INNER PACK



reference parts.
reference parts make
reference part one.



CGZ25 12M1-10

- 1] SPOUT
- 2] 3.3V
- 3] FOP
- 4] CDBV
- 5] TRP
- 6] GND
- 7] LM
- 8] VREF
- 9] TRVP
- 0] MSW

CDBV
AGND
CD_R
3V
CD_L
VDD
SW1
SW2
PSW
NPMDOWN
LM
NRST
TRQ
STAT
MLD
MCLK
RFGND
SWB5

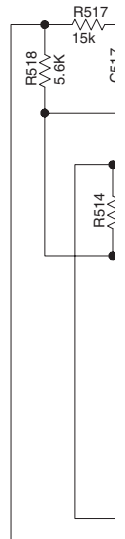
TO SHEET 1

⚠ Parts are safety assurance parts.
When replacing those parts make
sure to use the specified one.

!TANCE(UF)/RATED VOLTAGE(V)

■ CD servo control section (2/2)

FUNCTION PWB : GEB10180A



NOTES:

1. VOLTAGE ARE DC-MEASURED WITH A DIGITAL VOLTMETER WITHOUT INPUT SIGNAL CONDITION
--- CD MODE.

2. UNLESS OTHERWISE SPECIFIED.

ALL RESISTOR ARE 1/16W ± 5% METAL GLAZE RESISTOR.


ALL CAPACITOR ARE 50V OR 25V CERAMIC CAPACITOR.

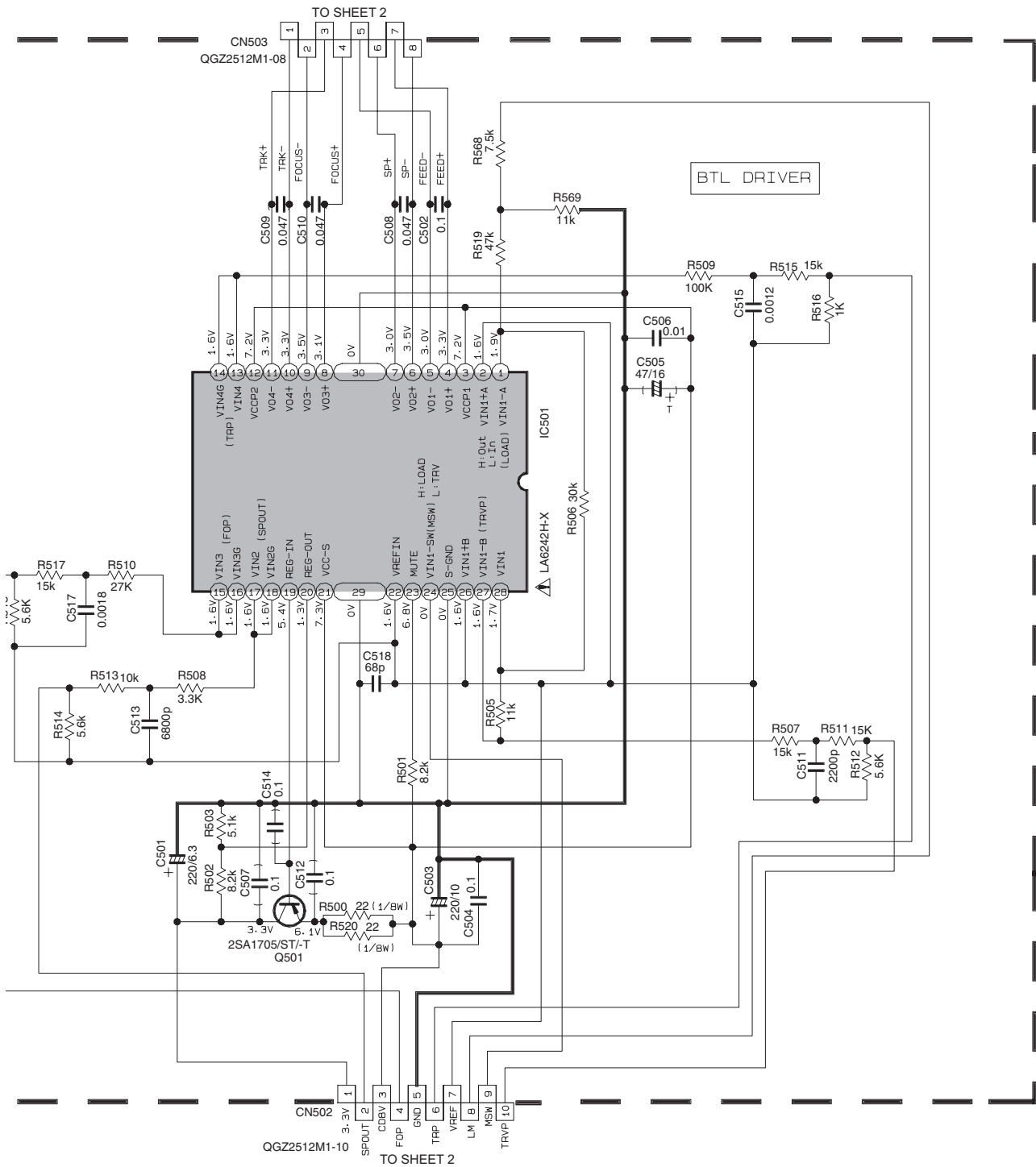
ALL RESISTANCE VALUES ARE IN OHM

ALL CAPACITANCE VALUES ARE IN μF (p=pF).

ALL INDUCTANCE VALUES ARE IN μH

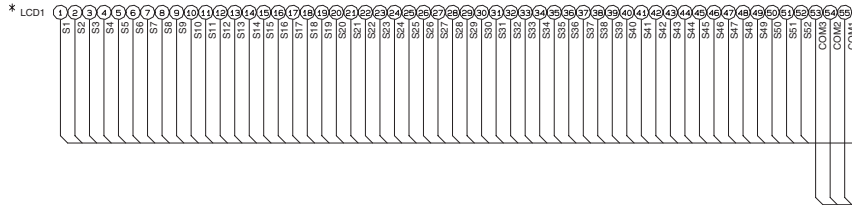
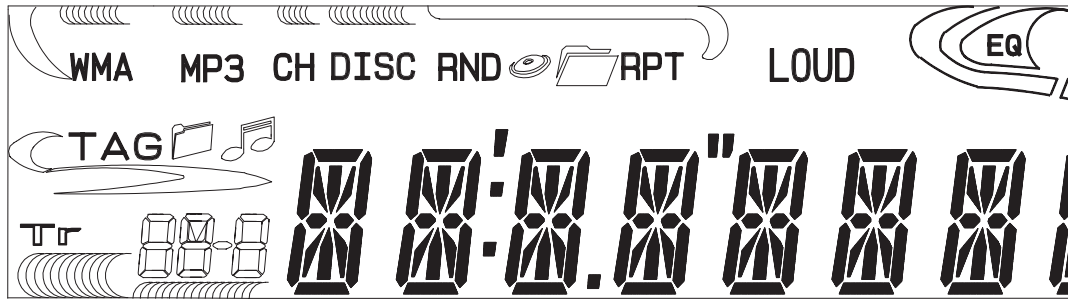
ALL E. CAPACITORS ARE SHOWN IN THE FORM OF CAPACITANCE(μF)/RATED VOLTAGE(V)

 Parts are safety assurance parts.
When replacing those parts make
sure to use the specified one.

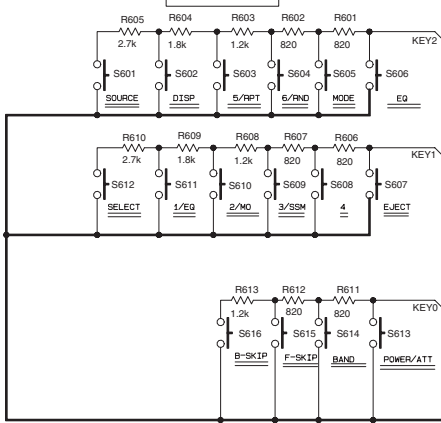


■ LCD & Key control section

LCD DISPLAY

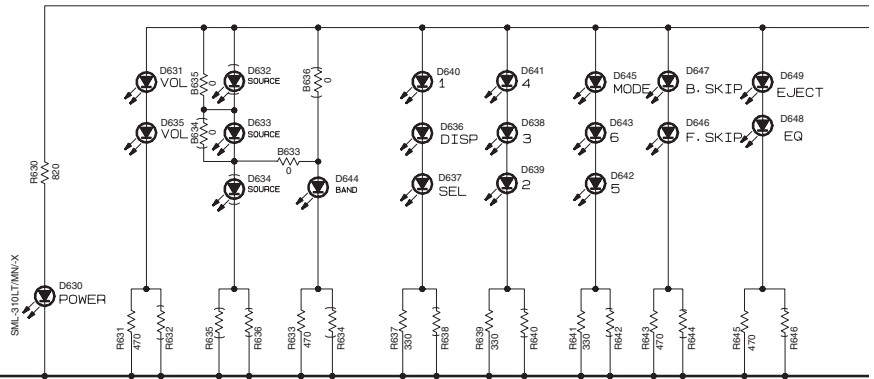


KEY MATRIX

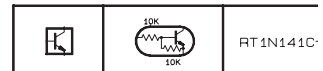


S601-S616: NSW0124-001X

LIGHTING DISPLAY



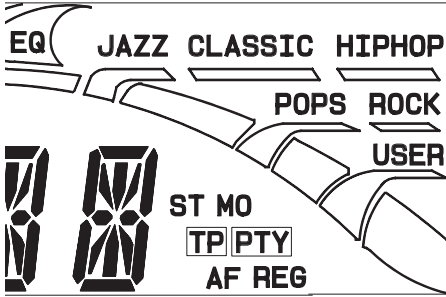
D631, D633, D635 - D649: SML-310VT/JK/-X



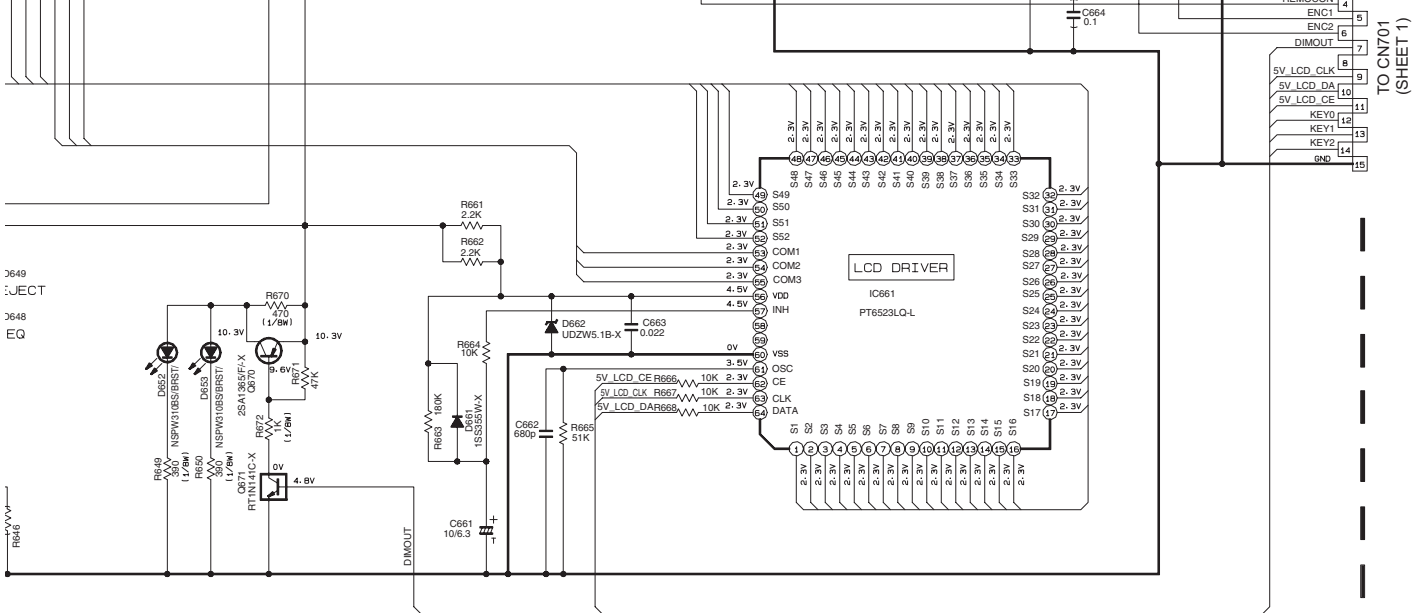
MODEL	KD-AR270J KD-G220J	KD-G323UI KD-G324UI KD-G325U SERIES KD-G326U SERIES
LCD1	QLD0419-001	QLD0390-001

NOTES

- VOLTAGES ARE DC-MEASURED WITH A DIGITAL VOLT ME
- UNLESS OTHERWISE SPECIFIED.
ALL RESISTORS ARE 1/16W ±5% METAL GLAZE RESIST
ALL CAPACITORS ARE 50V OR 25V CERAMIC CAPACITOR
ALL RESISTANCE VALUES ARE IN OHM.
ALL CAPACITANCE VALUES ARE IN uF (P=pF)
ALL E. CAPACITORS ARE SHOWN IN THE FORM OF CAPAI
T --- TANTALUM CAPACITOR.
- COMPONENTS IN () INDICATE NOT USE.



50
51
52
53
54
55
56
57
58
59
60



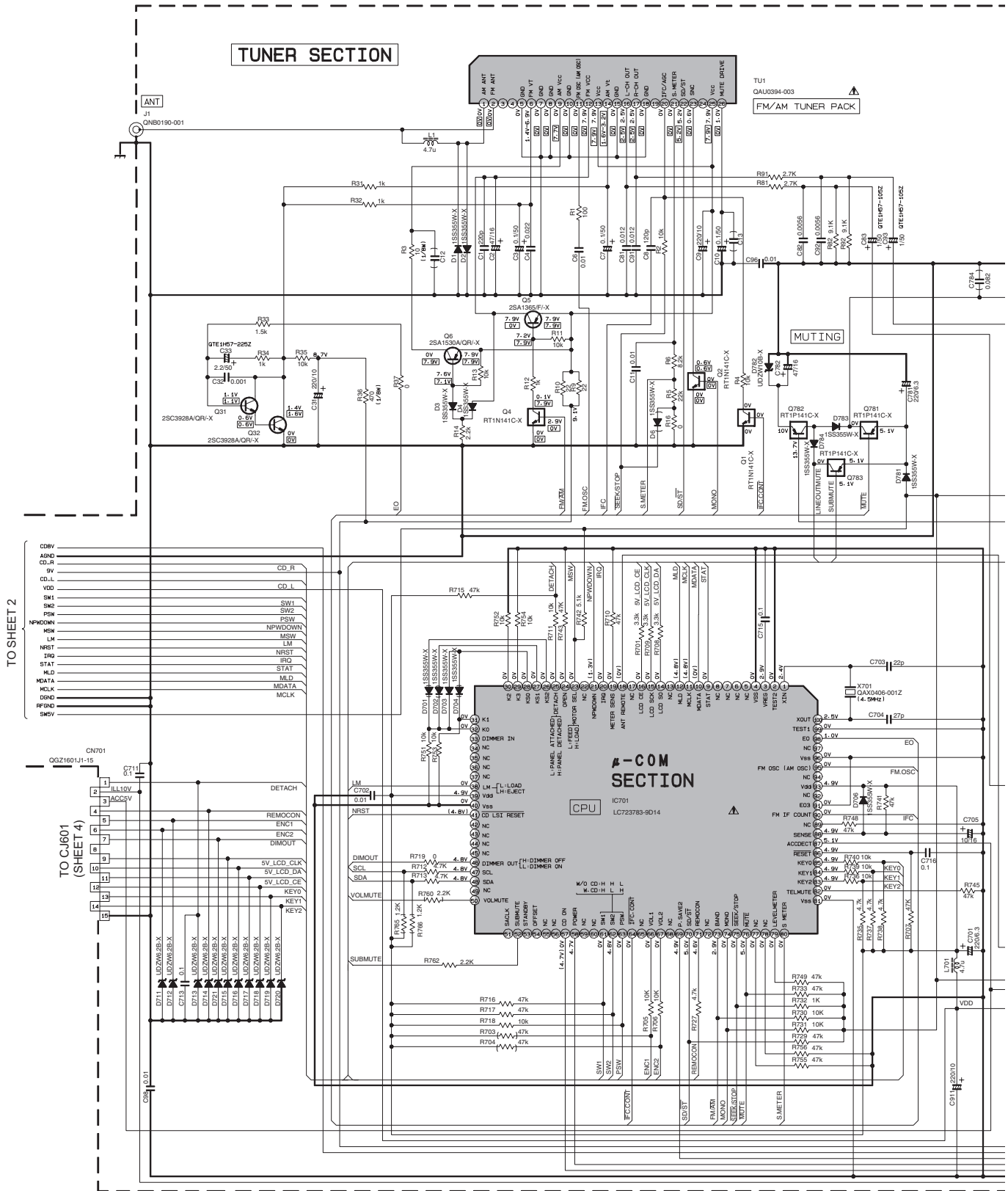
RT1N141C-X

TAL VOLT METER WITHOUT INPUT SIGNAL.

LAZE RESISTOR.
 IC CAPACITOR.
 JF)
 FORM OF CAPACITANCE (UF)/RATED VOLTAGE (V)

Standard schematic diagrams (For KD-G227)

■ Main amplifier section



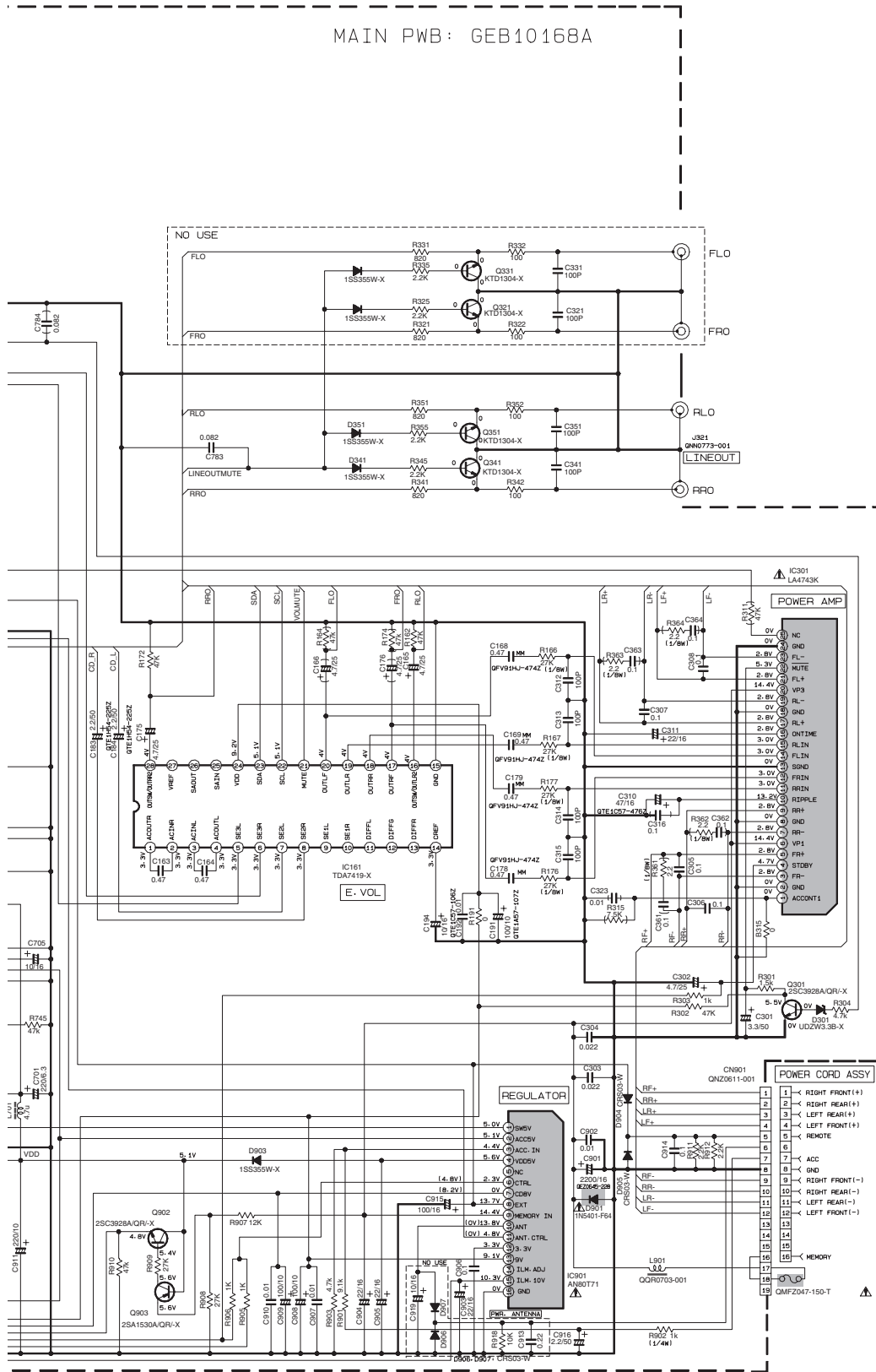
		RT1N141C-X
		RT1P141C-X

NOTES:

- VOLTAGE ARE DC-MEASURED WITH A DIGITAL VOLT-METER WITHOUT INPUT SIGNAL CONDITION
--FM(FM MODE-1) (CD MODE)
- UNLESS OTHERWISE SPECIFIED:
ALL RESISTOR ARE 1/16W ±5% METAL GLAZE RESISTOR.
ALL CAPACITOR ARE 50V OR 25V CERAMIC CAPACITOR.
ALL RESISTANCE VALUES ARE IN OHM
ALL CAPACITANCE VALUES ARE IN uF (p=PF).
ALL INDUCTANCE VALUES ARE IN uH
ALL E-CAPACITORS ARE SHOWN IN THE FORM OF CAPACITANCE (uF)/RATED VOLTAGE(V)

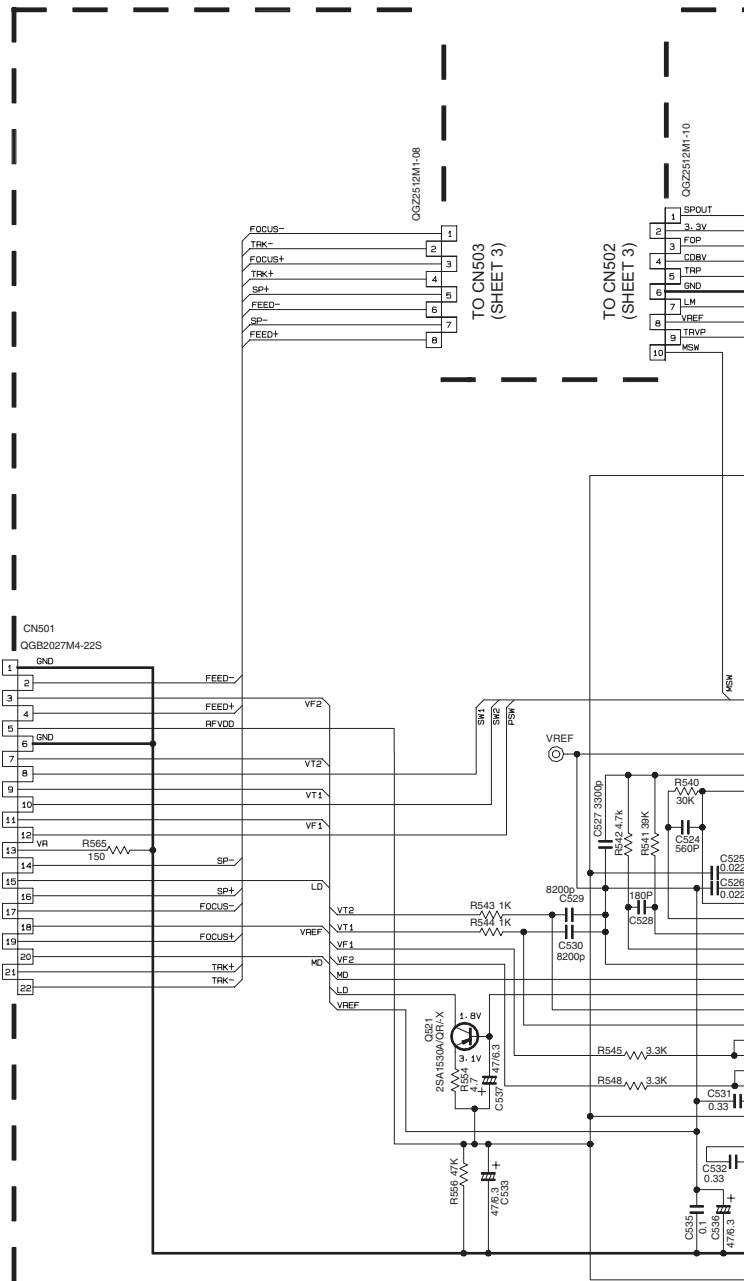
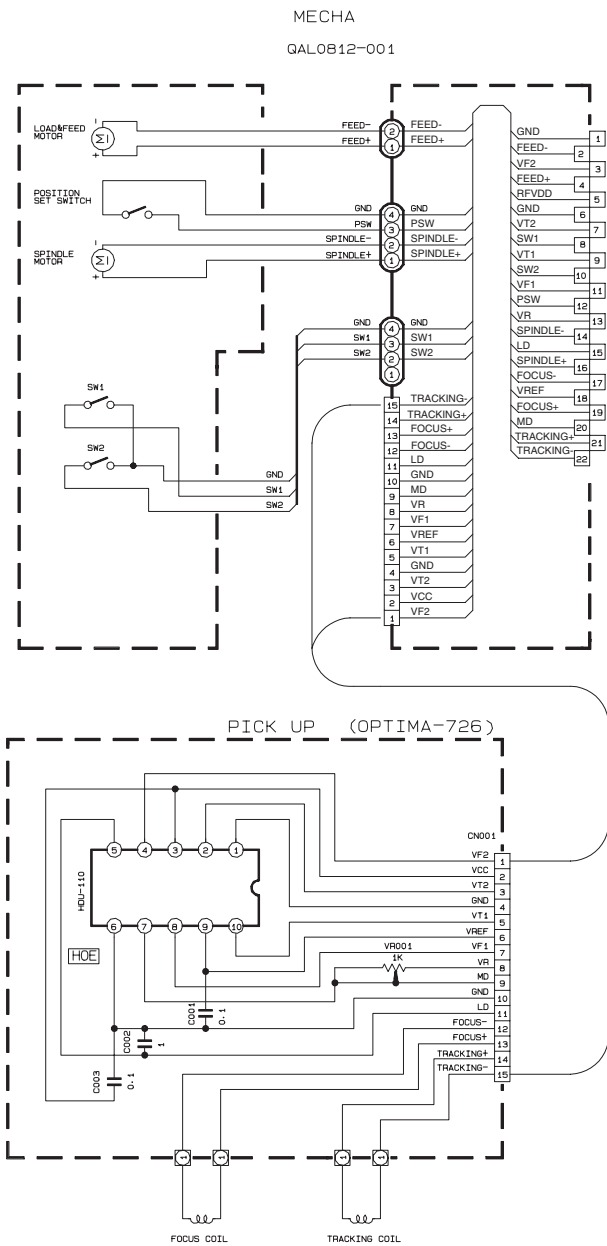
Parts are safety assured. When replacing those parts, please use the specific parts.

MAIN PWB : GEB10168A



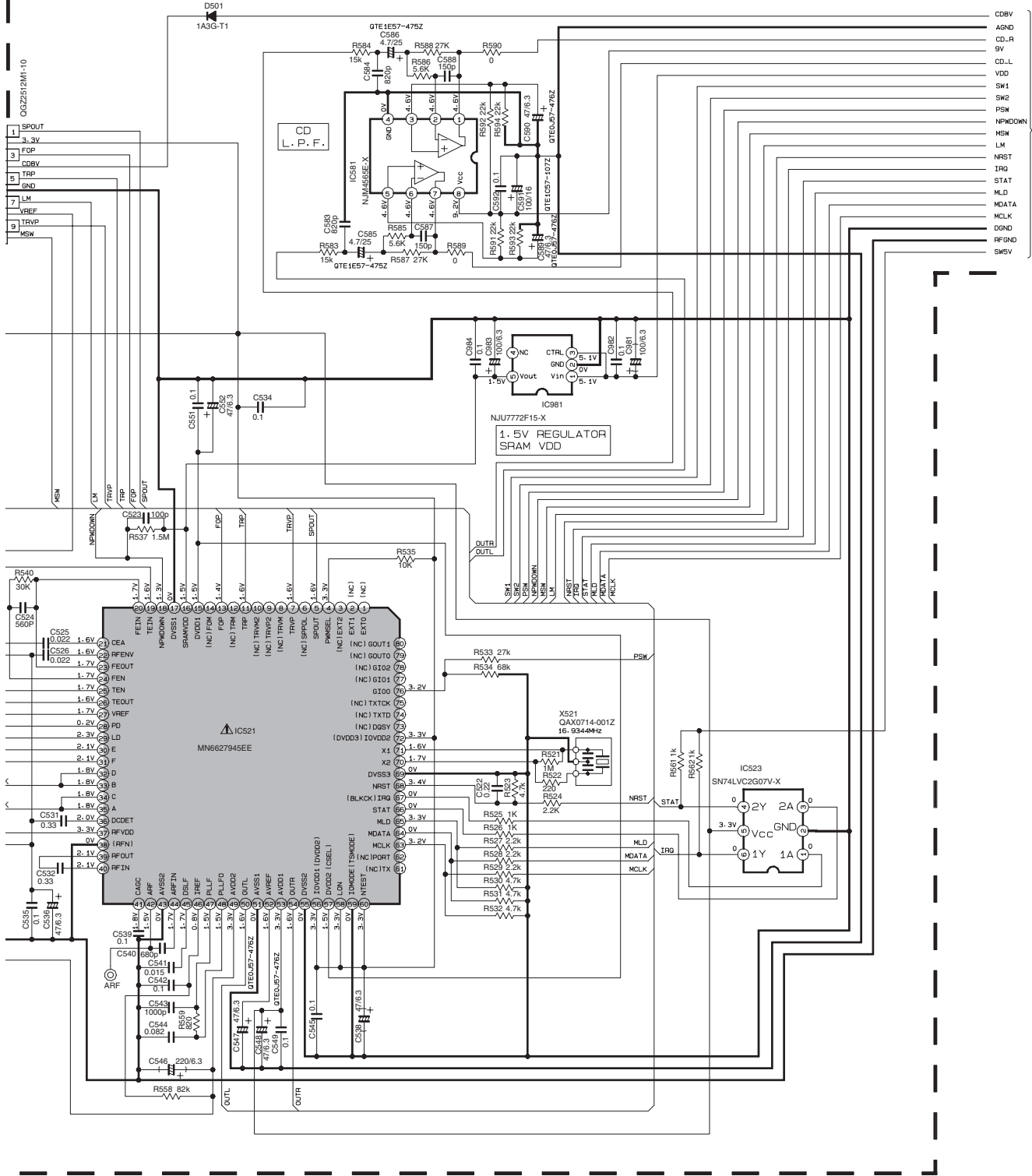
y assurance parts.
g those parts make
: specified one.


CD servo control section (1/2)



MAIN PWB: GEB10168A

- NOTES:
- VOLTAGE ARE DC-MEASURED WITH A DIGITAL VOLTMETER WITHOUT INPUT SIGNAL CONDITION
--- CD MODE.
 - UNLESS OTHERWISE SPECIFIED.
ALL RESISTOR ARE 1/16W ± 5% METAL GLAZE RESISTOR.
ALL CAPACITOR ARE 50V OR 25V CERAMIC CAPACITOR.
ALL RESISTANCE VALUES ARE IN OHM
ALL CAPACITANCE VALUES ARE IN uF (p=PF).
ALL INDUCTANCE VALUES ARE IN uH
ALL E. CAPACITORS ARE SHOWN IN THE FORM OF CAPACITANCE (uF)/RA

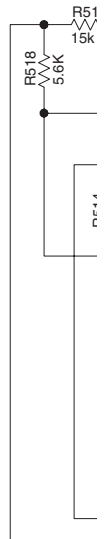


 Parts are safety assurance parts.
 When replacing those parts make
 sure to use the specified one.

CITANCE (uF)/RATED VOLTAGE (V)

■ CD servo control section (2/2)

FUNCTION PWB : GEB10180A




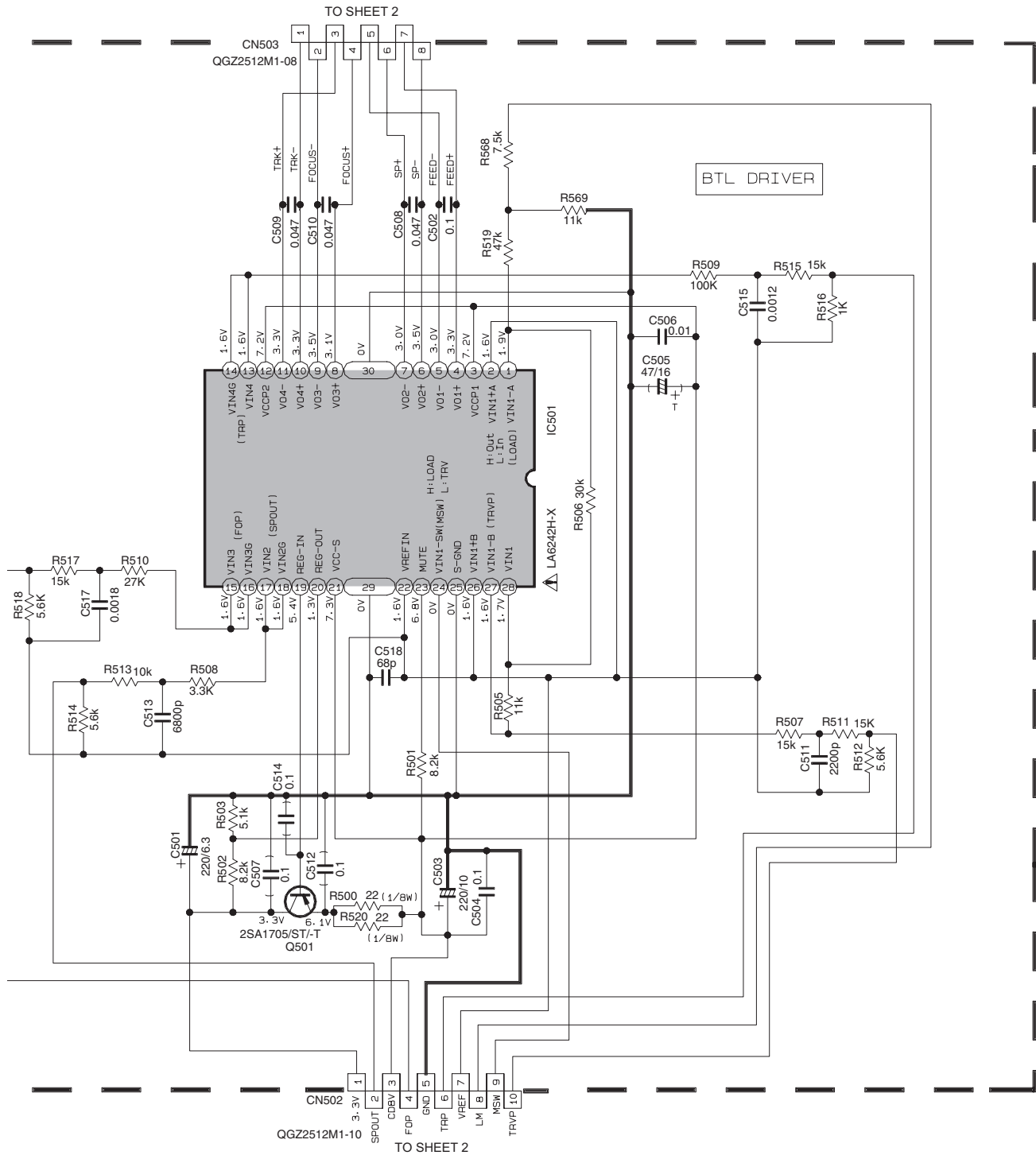
NOTES:

1. VOLTAGE ARE DC-MEASURED WITH A DIGITAL VOLTMEETER WITHOUT INPUT SIGNAL CONDITION
--- CD MODE.

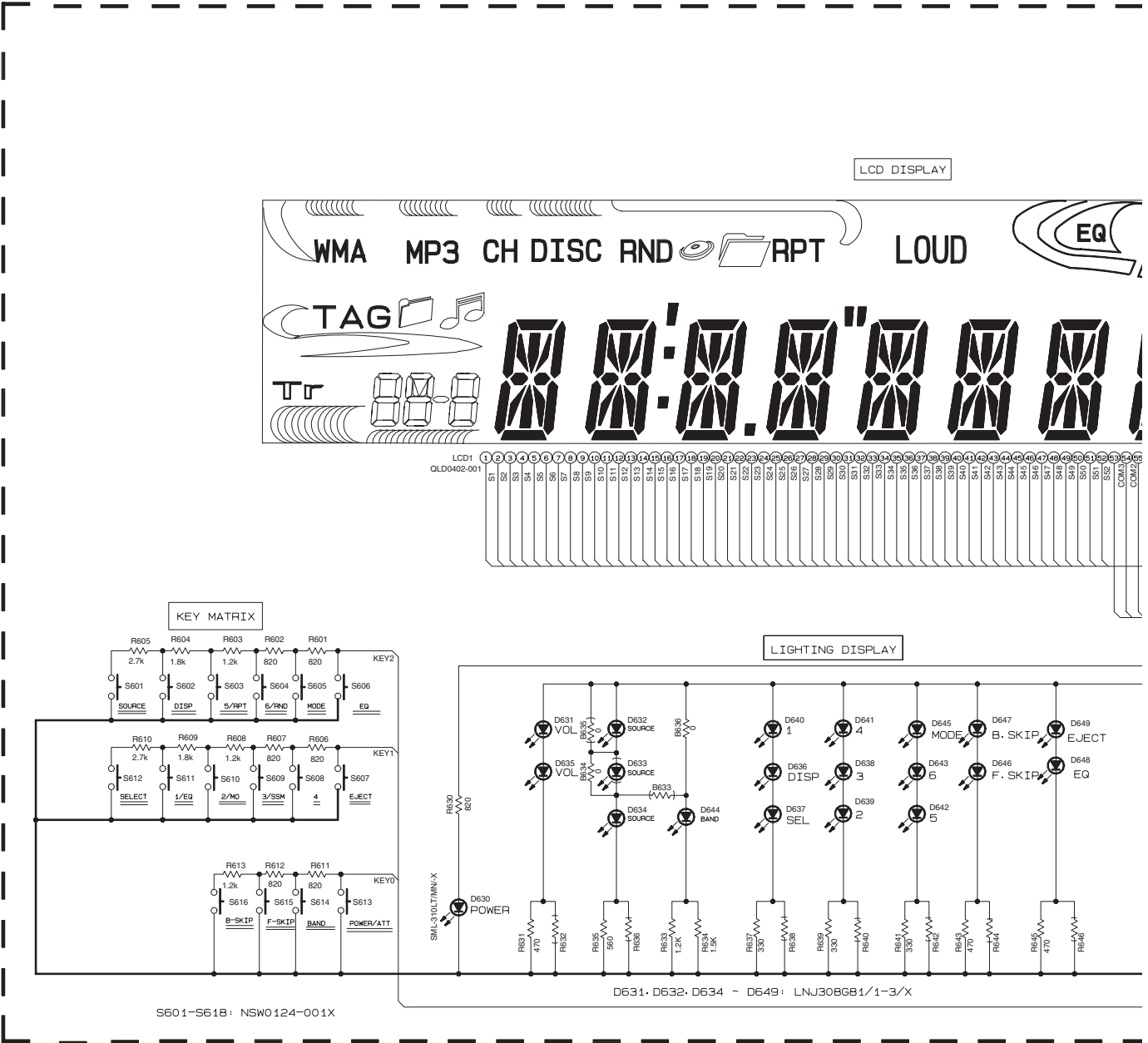
2. UNLESS OTHERWISE SPECIFIED.

ALL RESISTOR ARE 1/16W ±5%METAL GLAZE RESISTOR.
ALL CAPACITOR ARE 50V OR 25V CERAMIC CAPACITOR.
ALL RESISTANCE VALUES ARE IN OHM
ALL CAPACITANCE VALUES ARE IN uF(p=pF).
ALL INDUCTANCE VALUES ARE IN uH
ALL E. CAPACITORS ARE SHOWN IN THE FORM OF CAPACITANCE(uF)/RATED VOLTAGE(V)

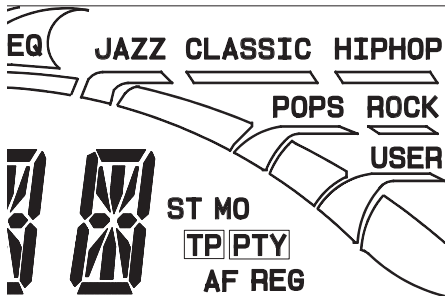
 Parts are safety assurance parts.
When replacing those parts make
sure to use the specified one.



■ LCD & Key control section

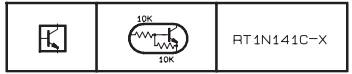
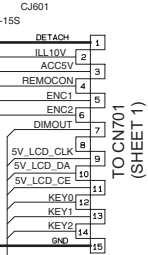
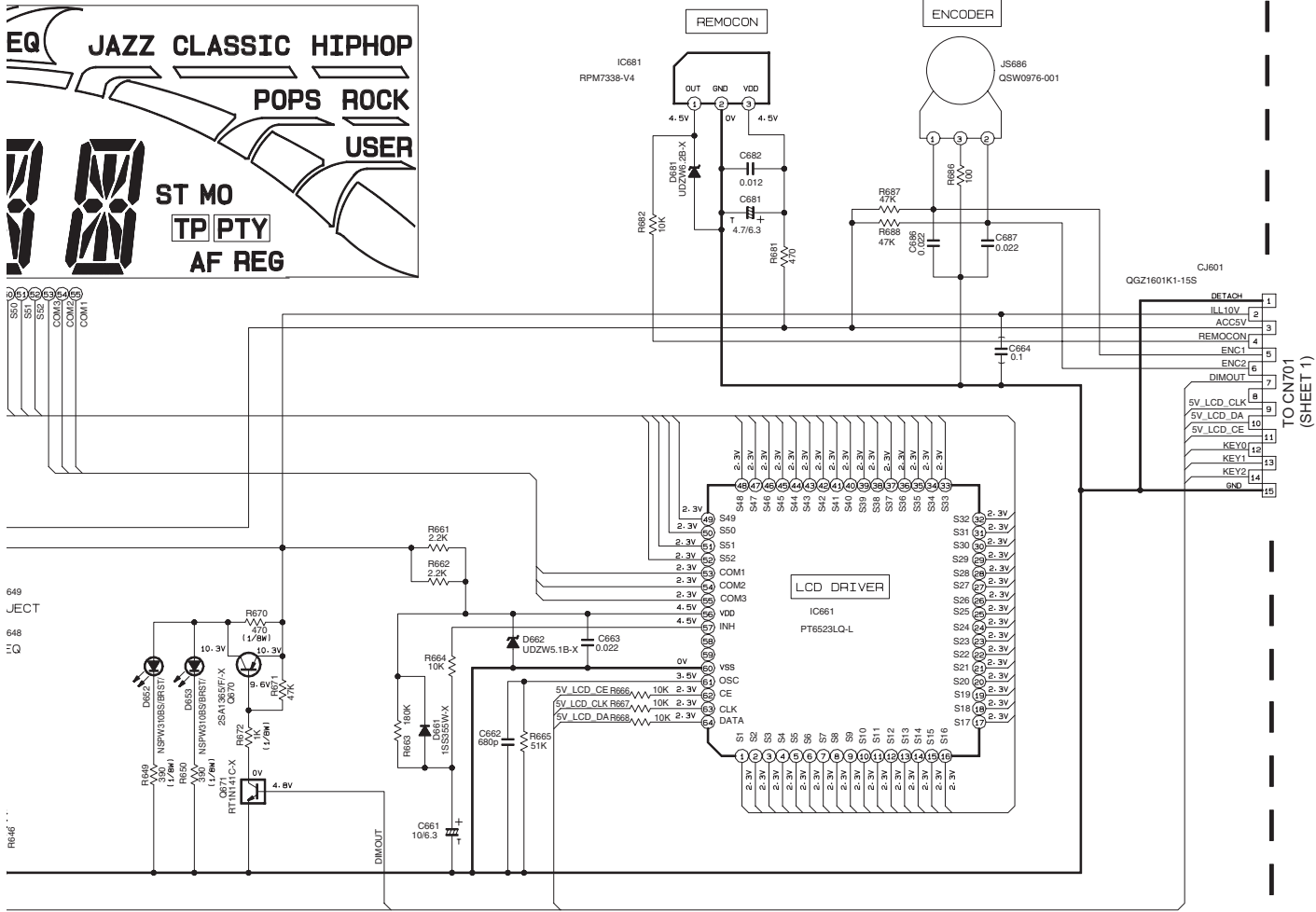


SW PWB : GEB10174A



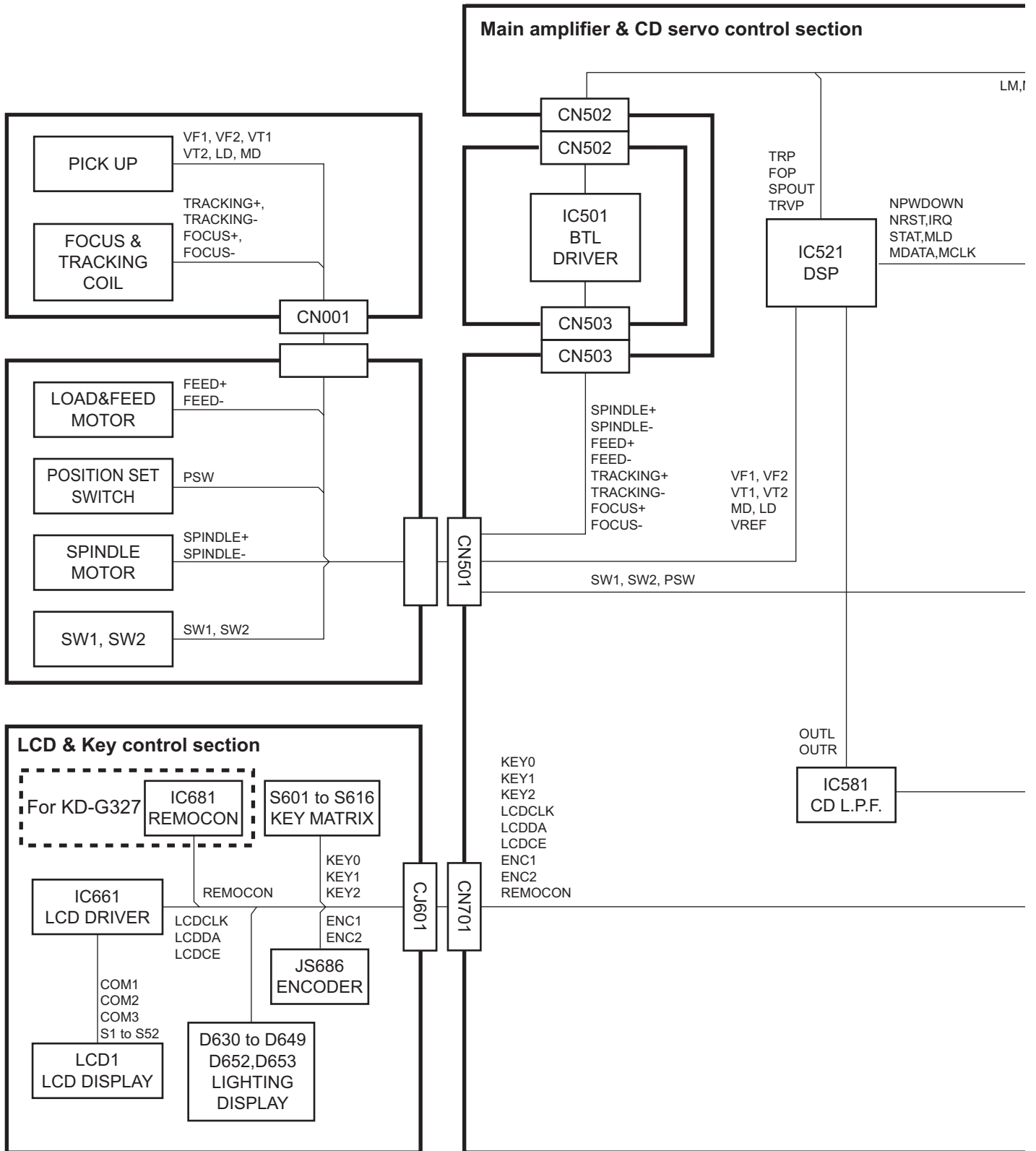
649
JECT
648
EQ

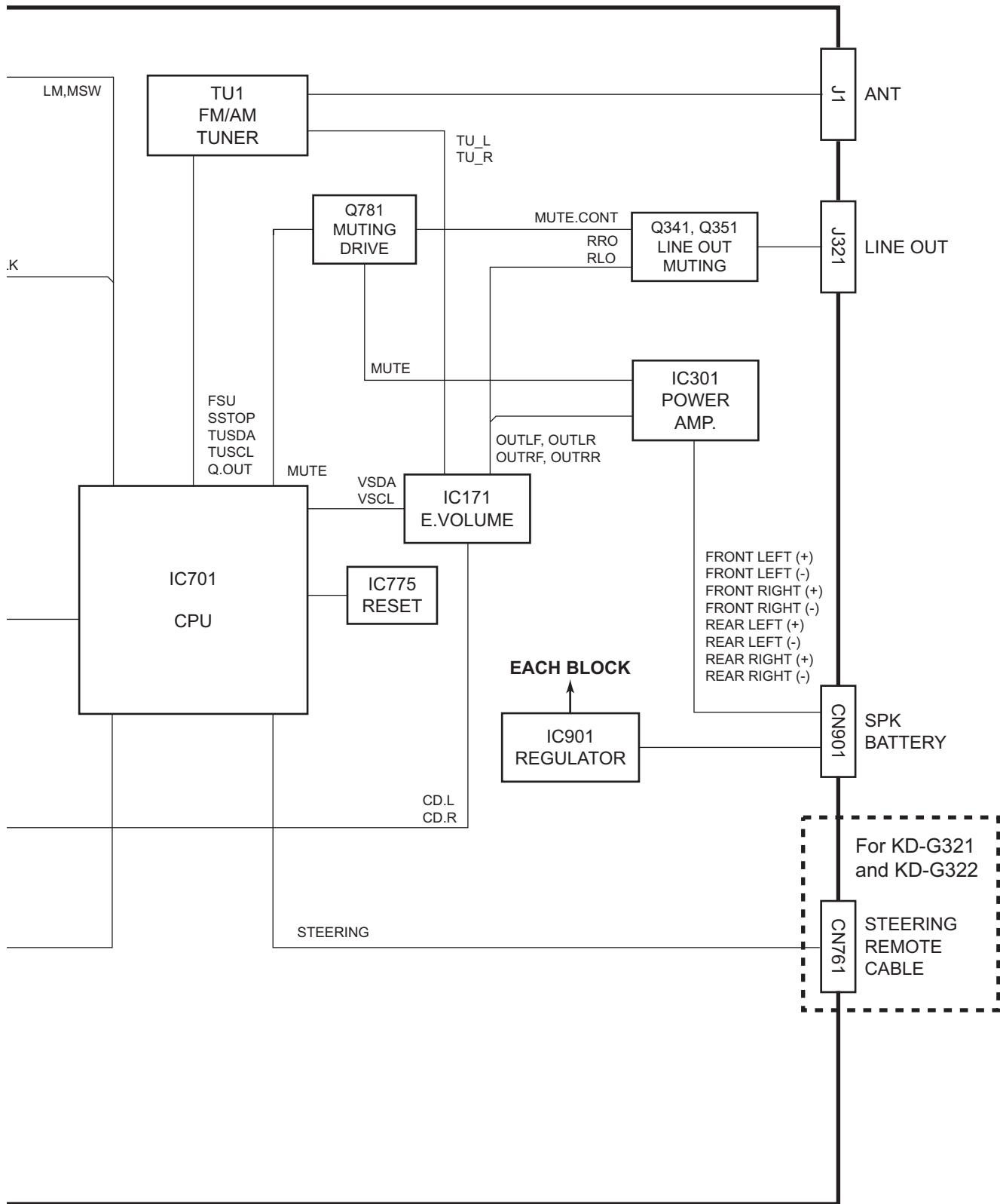
RE46



- NOTES**
- VOLTAGES ARE DC-MEASURED WITH A DIGITAL VOLT METER WITHOUT INPUT SIGNAL.
 - UNLESS OTHERWISE SPECIFIED.
 - ALL RESISTORS ARE 1/16W ±5% METAL GLAZE RESISTOR.
 - ALL CAPACITORS ARE 50V OR 25V CERAMIC CAPACITOR.
 - ALL RESISTANCE VALUES ARE IN OHM.
 - ALL CAPACITANCE VALUES ARE IN uF(P=0F)
 - ALL E-CAPACITORS ARE SHOWN IN THE FORM OF CAPACITANCE(uF)/RATED VOLTAGE(V)
 - T --- TANTALUM CAPACITOR.
 - COMPONENTS IN () INDICATE NOT USE.

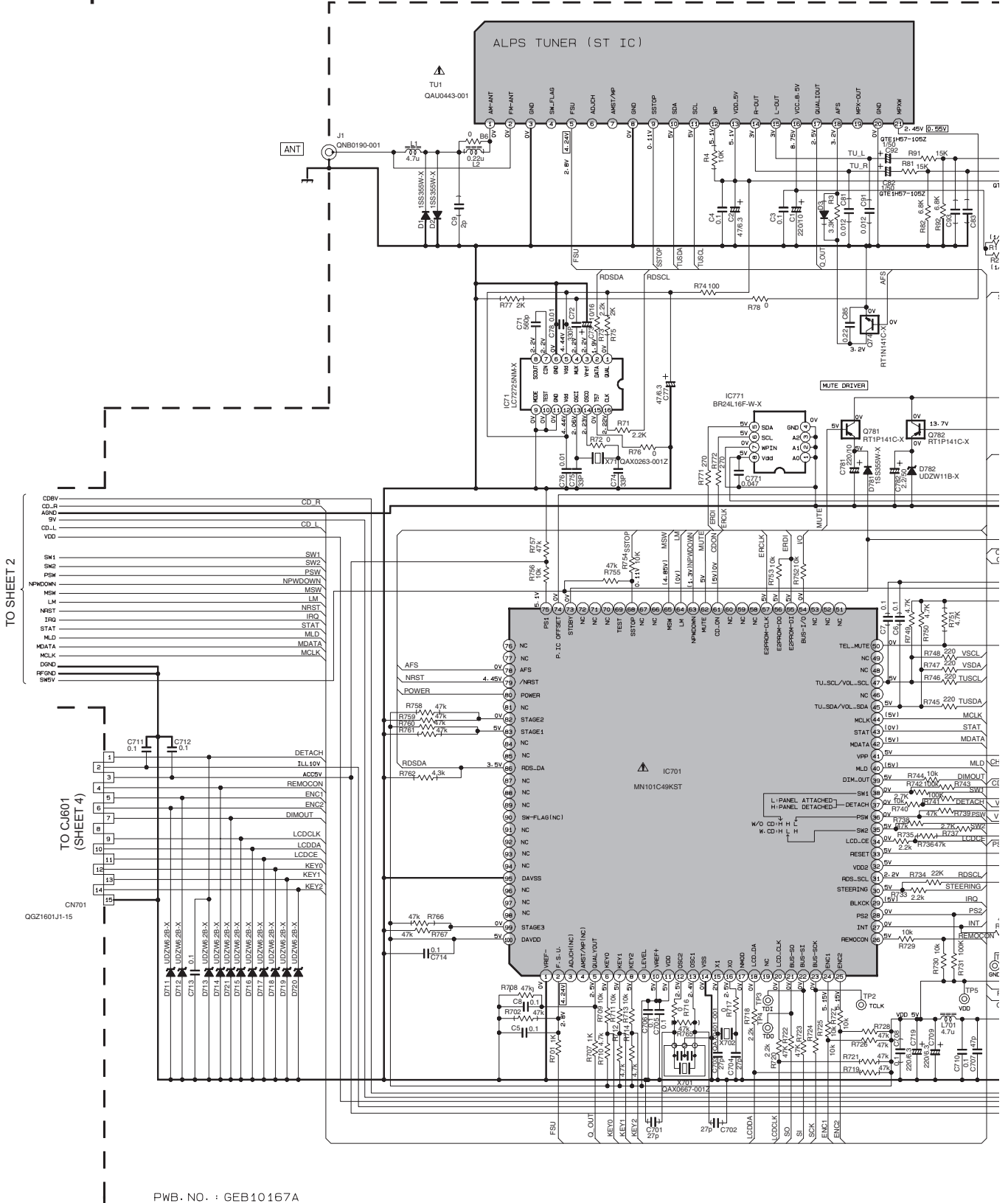
Block diagram (For KD-G321,KD-G322,KD-G327)





Standard schematic diagrams (For KD-G321, KD-G322)

■ Main amplifier section

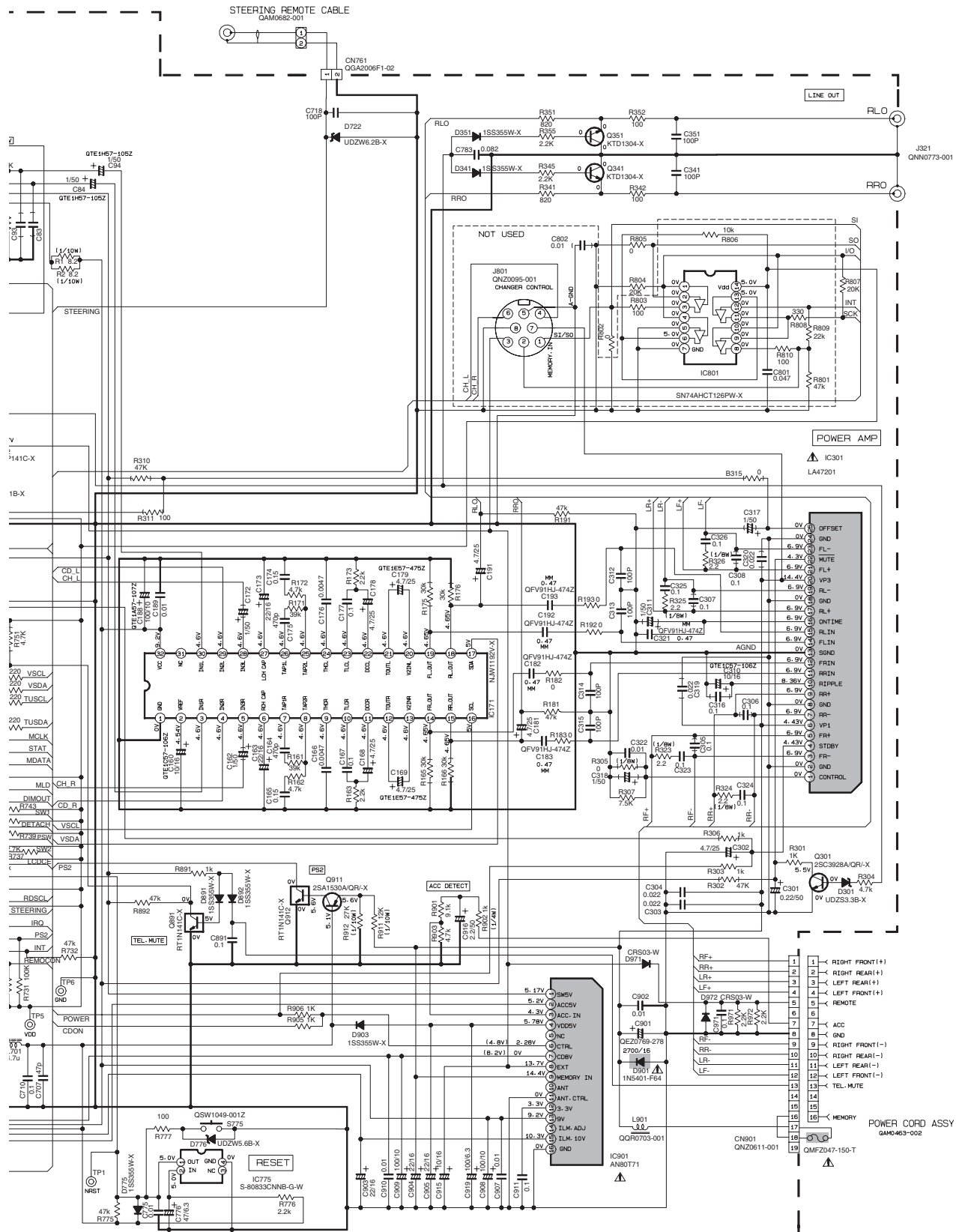


PWB. NO. : GEB10167A

	10K		RT1N141C-X
	10K		RT1P141C-X

⚠ Parts are safety assurance parts.
When replacing those parts make sure to use the specified one.

NOTE

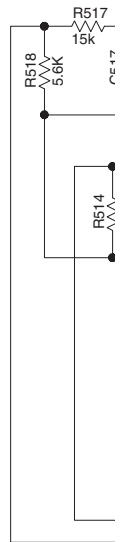


- NOTES**
1. VOLTAGES ARE DC-MEASURED WITH A DIGITAL VOLT METER WITHOUT INPUT SIGNAL CONDITION---FM MODE. () AM MODE. () CD MODE.
 2. UNLESS OTHERWISE SPECIFIED.
 ALL RESISTORS ARE 1/16W ± 5% METAL GLAZE RESISTOR.
 ALL CAPACITORS ARE 50V OR 25V CERAMIC CAPACITOR.
 ALL RESISTANCE VALUES ARE IN OHM.
 ALL CAPACITANCE VALUES ARE IN uF (p-pF)
 ALL E-CAPACITORS ARE SHOWN IN THE FORM OF CAPACITANCE(uF)/RATED VOLTAGE(V)
 TF --- T.F. CAPACITOR
 3. COMPONENTS IN () INDICATE NOT USE.

■ CD servo control section (2/2)

LA

FUNCTION PWB:GEB10180A



NOTES:

1. VOLTAGE ARE DC-MEASURED WITH A DIGITAL VOLTMETER WITHOUT INPUT SIGNAL CONDITION
--- CD MODE.

2. UNLESS OTHERWISE SPECIFIED.

ALL RESISTOR ARE 1/16W ±5%METAL GLAZE RESISTOR.


ALL CAPACITOR ARE 50V OR 25V CERAMIC CAPACITOR.

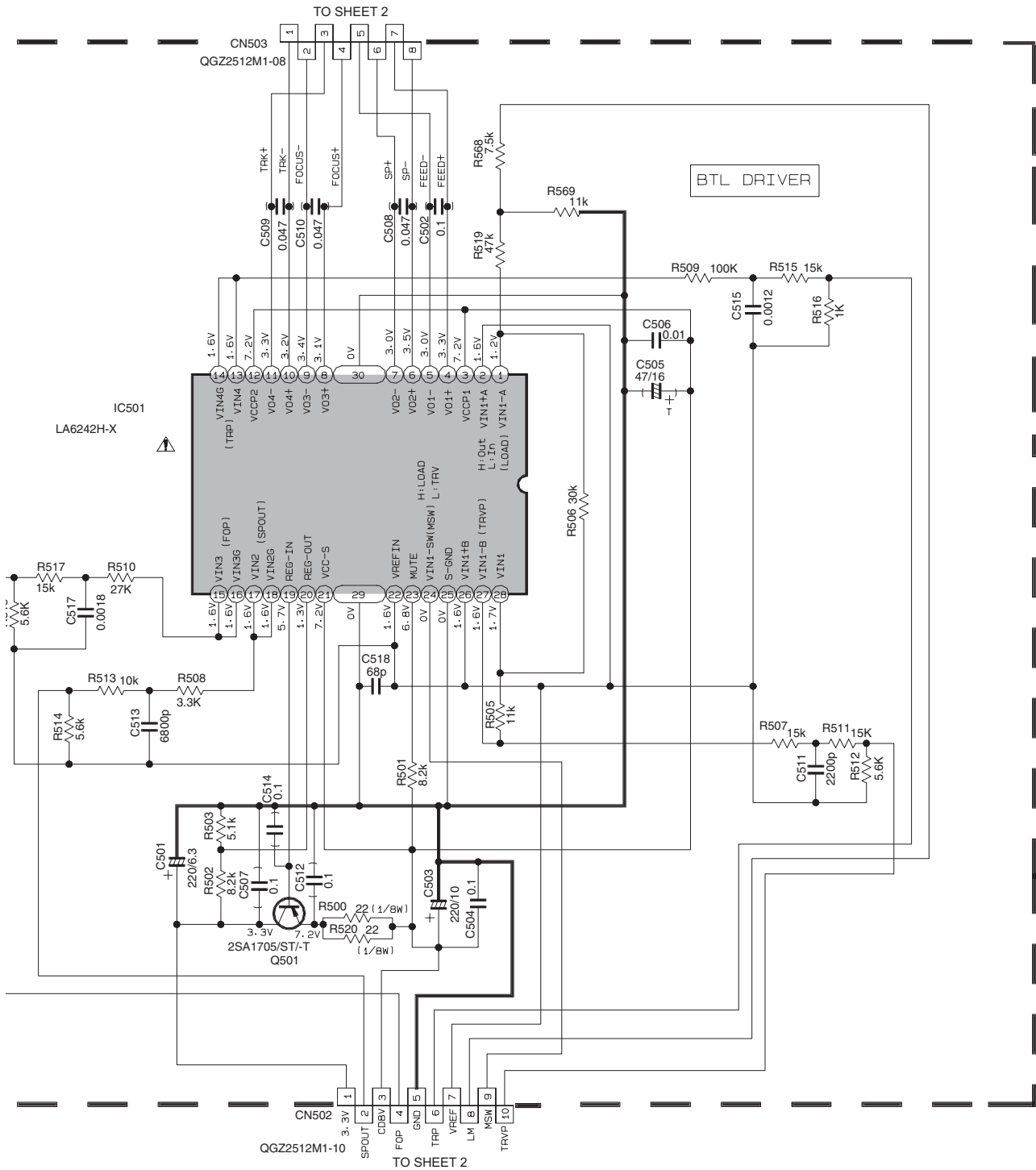
ALL RESISTANCE VALUES ARE IN OHM

ALL CAPACITANCE VALUES ARE IN uF(p=pF).

ALL INDUCTANCE VALUES ARE IN uH

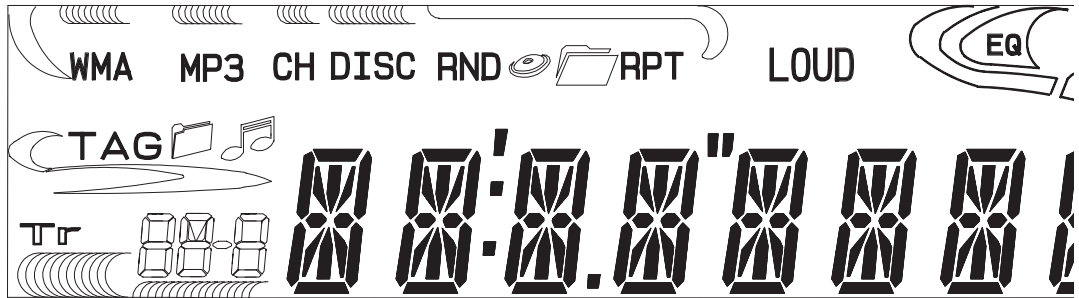
ALL E. CAPACITORS ARE SHOWN IN THE FORM OF CAPACITANCE(uF)/RATED VOLTAGE(V)

 Parts are safety assurance parts.
When replacing those parts make
sure to use the specified one.



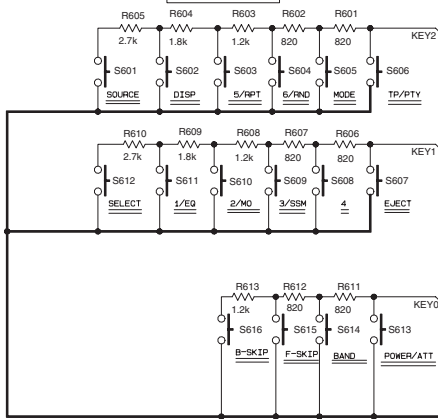
■ LCD & Key control section

LCD DISPLAY



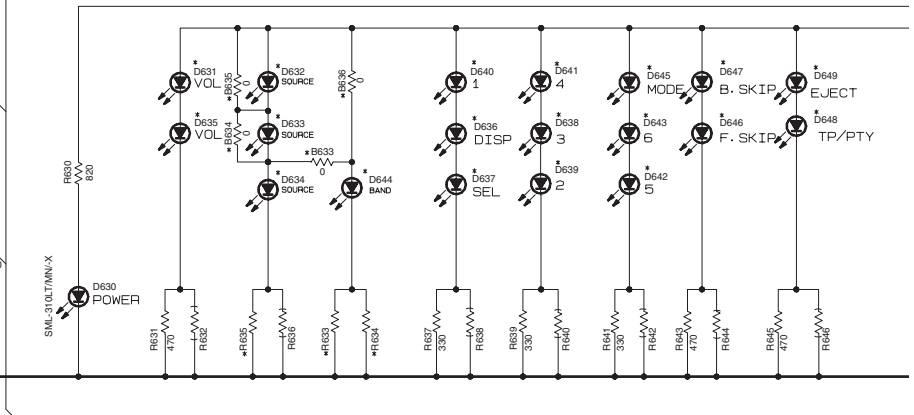
LCD1
 QLD0419-001
 1 2 3 4 5 6 7 8 9 10 11 12 13 14 15 16 17 18 19 20 21 22 23 24 25 26 27 28 29 30 31 32 33 34 35 36 37 38 39 40 41 42 43 44 45 46 47 48 49 50 51 52
 COM1 COM2 COM3 COM4

KEY MATRIX

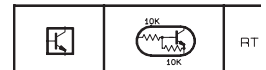


S601-S616: NSW0283-001X

LIGHTING DISPLAY



REF. NAME	KD-G321E	KD-G322E
D632	LNJ308G81/1-3/X	NO USE
D633	NO USE	SML-310VT/JK/-X
D634	LNJ308G81/1-3/X	NO USE
D631, D635 D636 ~ D649	LNJ308G81/1-3/X	SML-310VT/JK/-X
B633- B635	NO USE	USE
B634, B636	USE	NO USE
R633	1.2K	470
R634	1.5K	NO USE
R635	560	NO USE

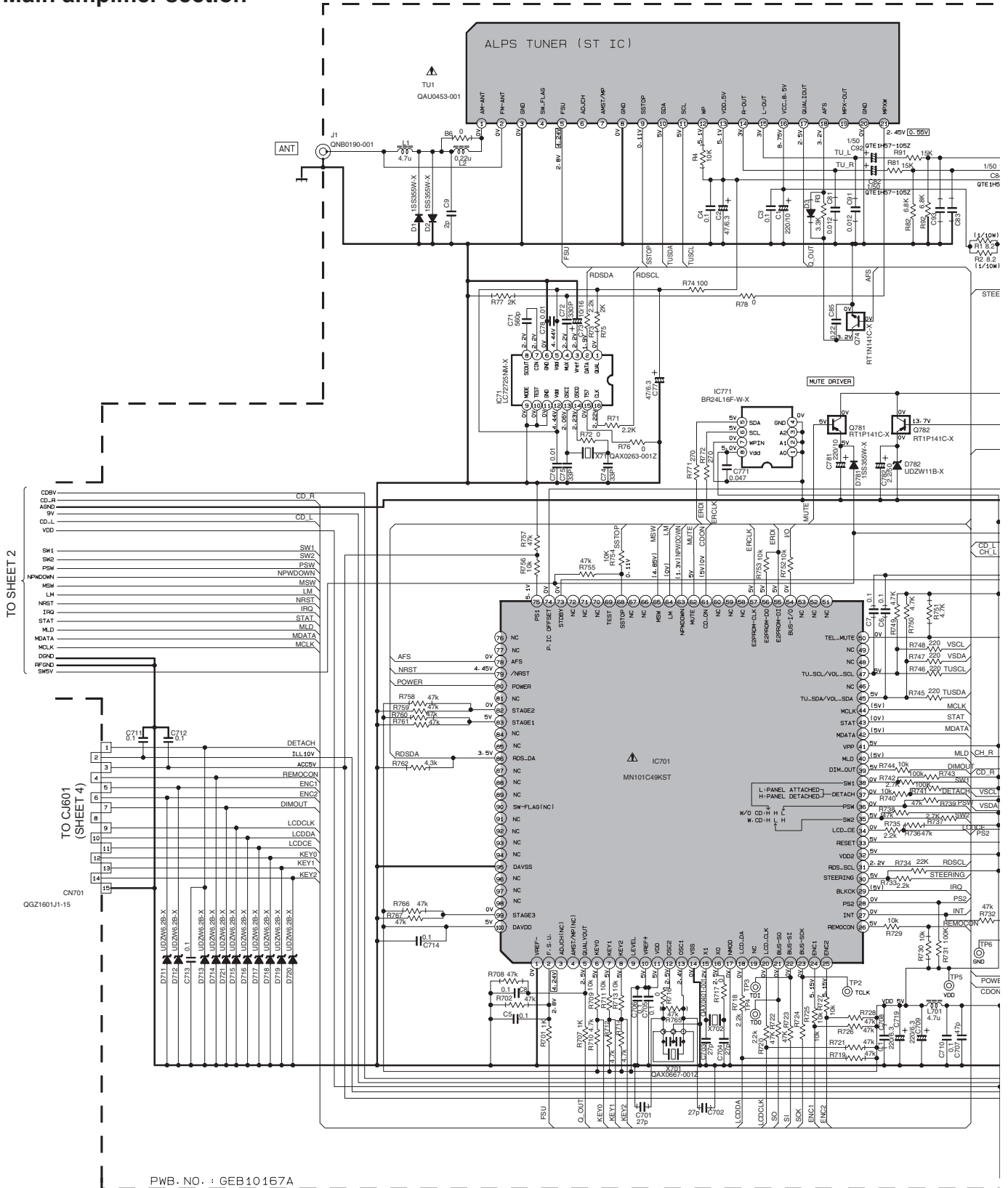


NOTES

- VOLTAGES ARE DC-MEASURED WITH A DIGITAL
- UNLESS OTHERWISE SPECIFIED.
ALL RESISTORS ARE 1/16W ±5% METAL GLAZE
ALL CAPACITORS ARE 50V OR 25V CERAMIC C
ALL RESISTANCE VALUES ARE IN OHM.
ALL CAPACITANCE VALUES ARE IN uF(P=pF)
ALL E-CAPACITORS ARE SHOWN IN THE FORM T --- TANTALUM CAPACITOR.
- COMPONENTS IN () INDICATE NOT USE.

Standard schematic diagrams (For KD-G327)

■ Main amplifier section

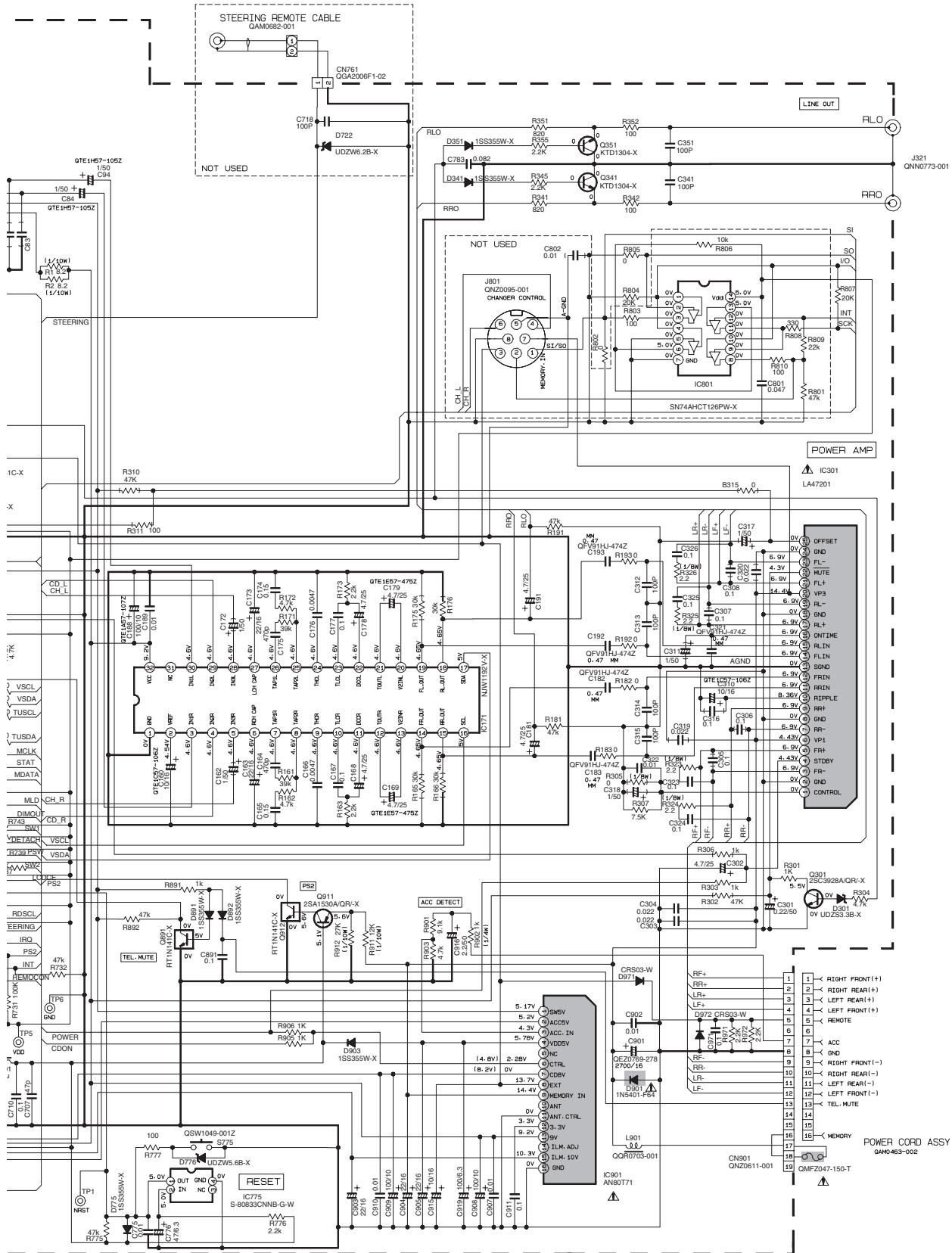


PWB. NO. : GEB10167A

		RT1N141C-X
		RT1P141C-X

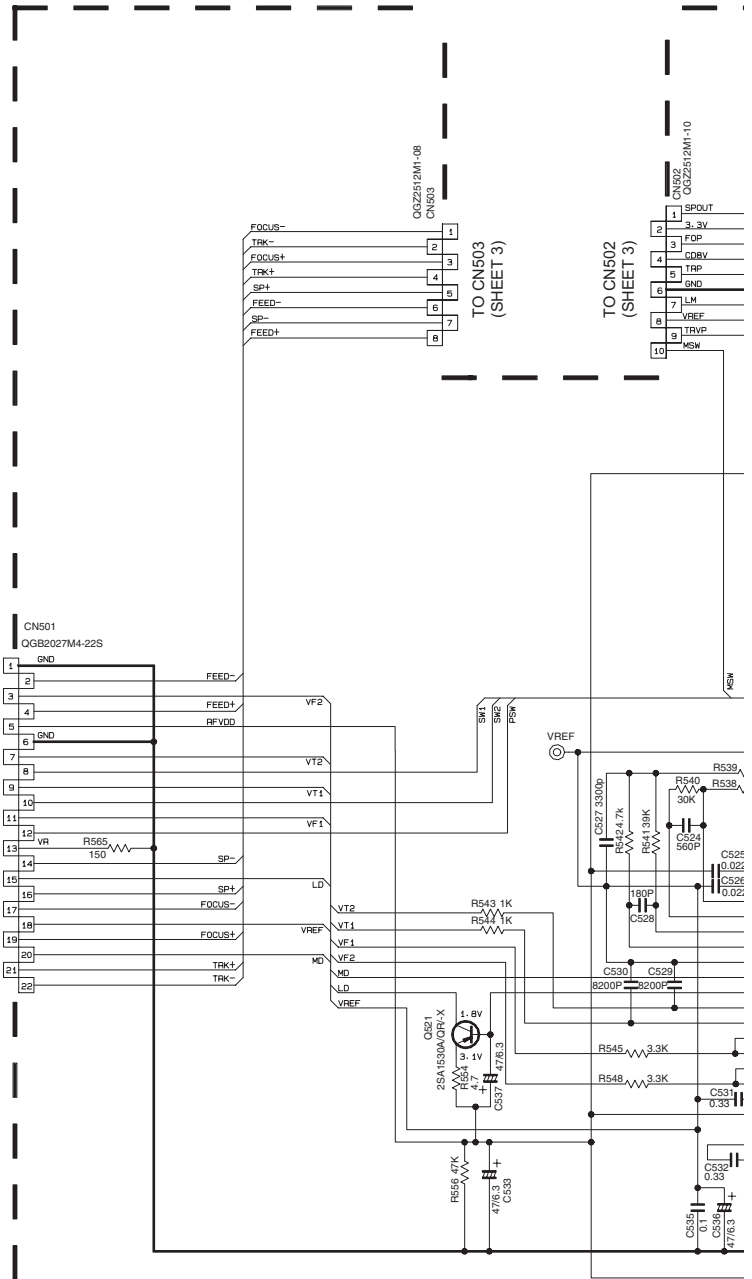
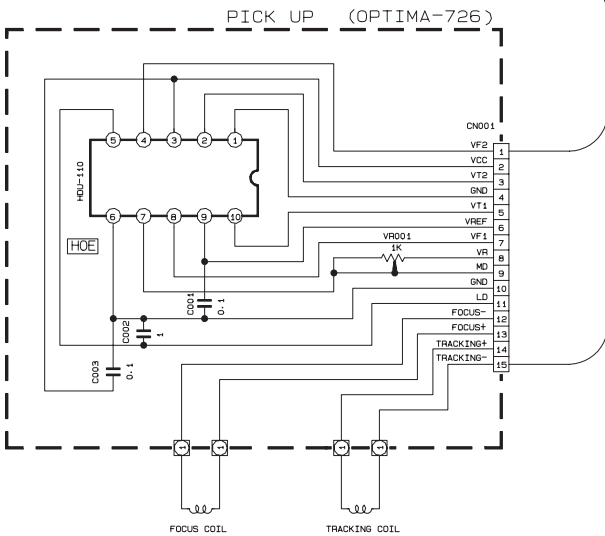
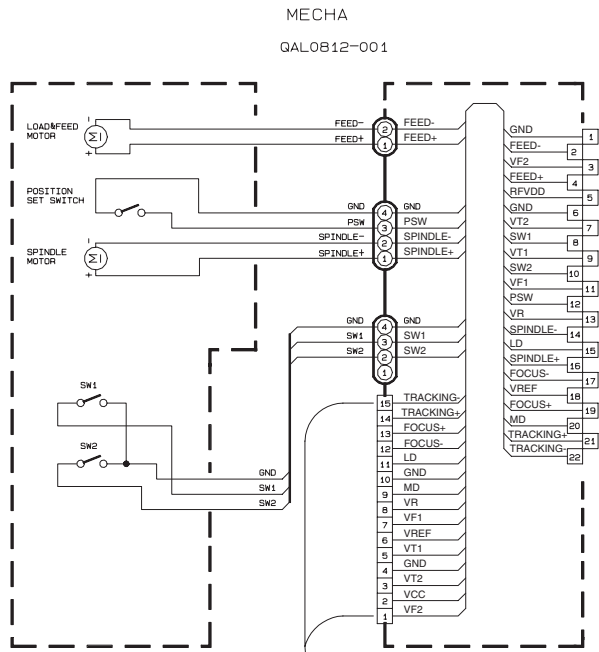
▲ Parts are safety assurance parts.
When replacing those parts make sure to use the specified one.

NOTE



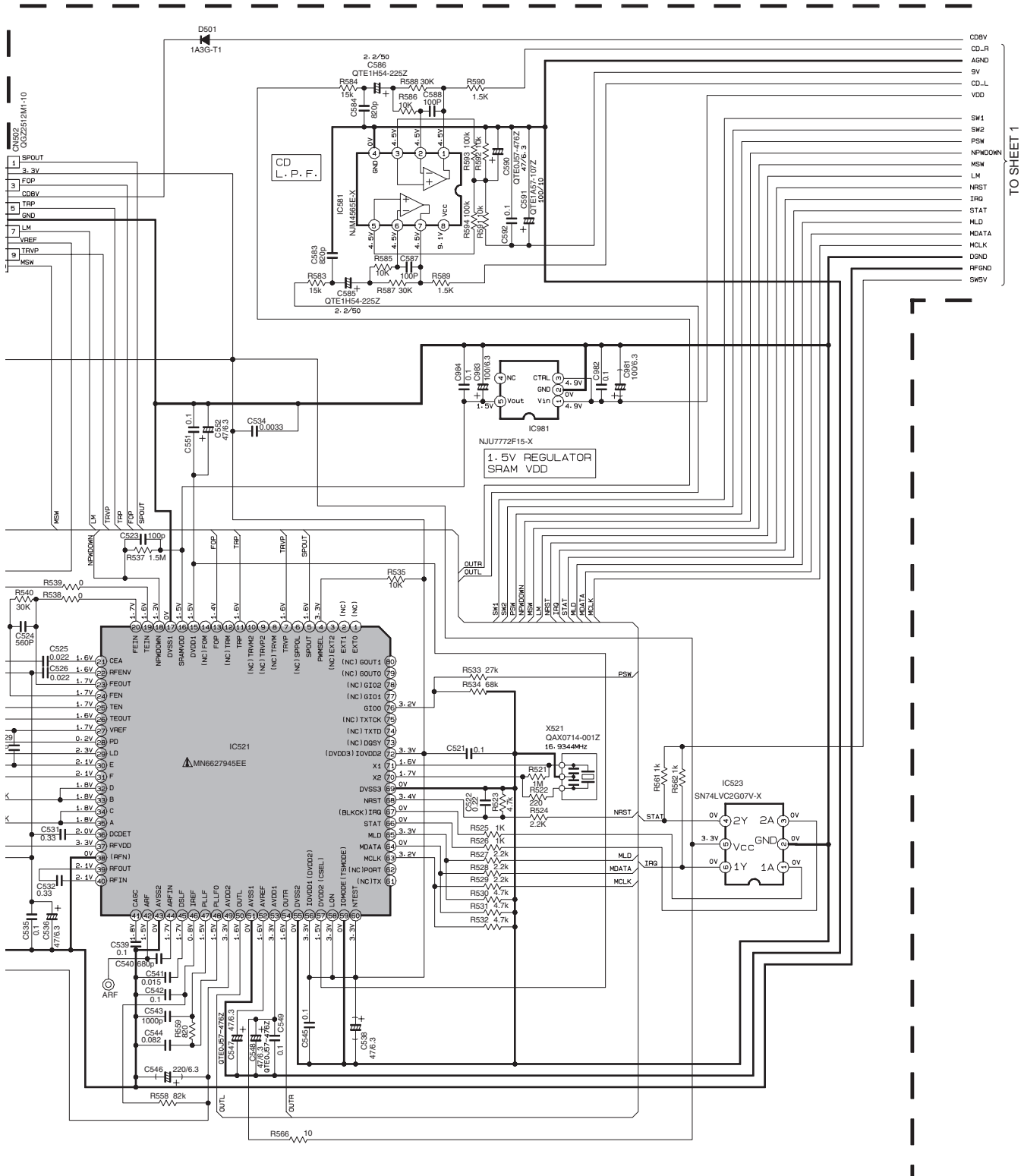
- NOTES
1. VOLTAGES ARE DC-MEASURED WITH A DIGITAL VOLT METER WITHOUT INPUT SIGNAL CONDITION---FM MODE. □ AM MODE. () CD MODE.
 2. UNLESS OTHERWISE SPECIFIED.
ALL RESISTORS ARE 1/16W ± 5% METAL GLAZE RESISTOR.
ALL CAPACITORS ARE 50V OR 25V CERAMIC CAPACITOR.
ALL RESISTANCE VALUES ARE IN OHM.
ALL CAPACITANCE VALUES ARE IN uF(P=pF)
ALL E-CAPACITORS ARE SHOWN IN THE FORM OF CAPACITANCE(uF)/RATED VOLTAGE(V)
TF --- T.F. CAPACITOR
 3. COMPONENTS IN () INDICATE NOT USE.

CD servo control section (1/2)



MAIN PWB: GEB10167A

- NOTES:
- VOLTAGE ARE DC-MEASURED WITH A DIGITAL VOLTMETER WITHOUT INPUT SIGNAL CONDITION
--- CD MODE.
 - UNLESS OTHERWISE SPECIFIED.
ALL RESISTOR ARE 1/16W ± 5% METAL GLAZE RESISTOR.
ALL CAPACITOR ARE 50V OR 25V CERAMIC CAPACITOR.
ALL RESISTANCE VALUES ARE IN OHM
ALL CAPACITANCE VALUES ARE IN uF(p=pF).
ALL INDUCTANCE VALUES ARE IN uH
ALL E. CAPACITORS ARE SHOWN IN THE FORM OF CAPACITANCE (uF)/RA

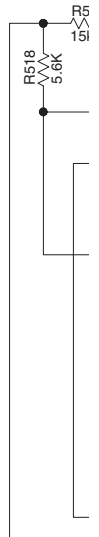


⚠ Parts are safety assurance parts.
When replacing those parts make
sure to use the specified one.

CITANCE (uF) / RATED VOLTAGE (V)

■ CD servo control section (2/2)

FUNCTION PWB : GEB10180A




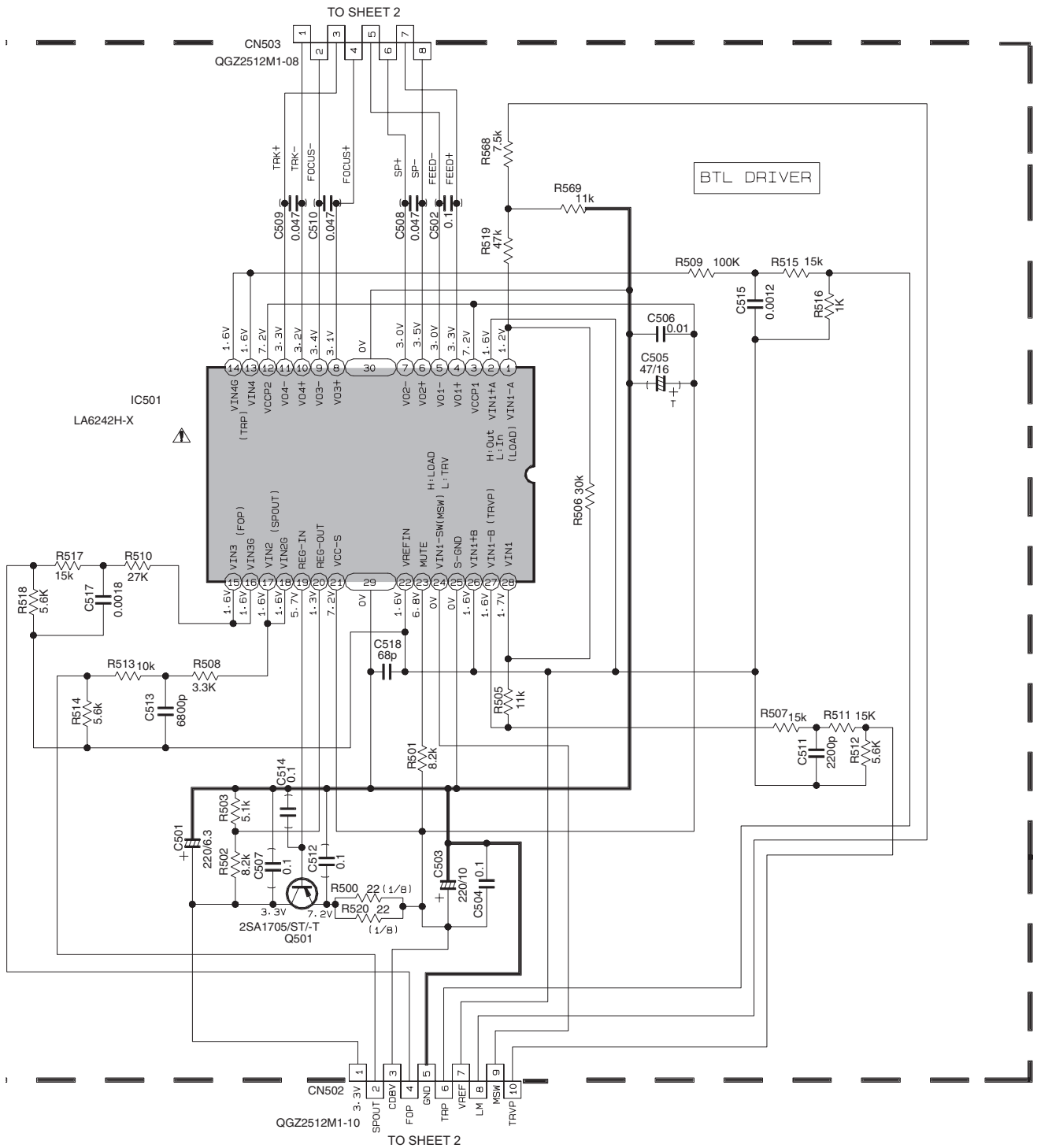
NOTES:

1. VOLTAGE ARE DC-MEASURED WITH A DIGITAL VOLT-METER WITHOUT INPUT SIGNAL CONDITION --- CD MODE.

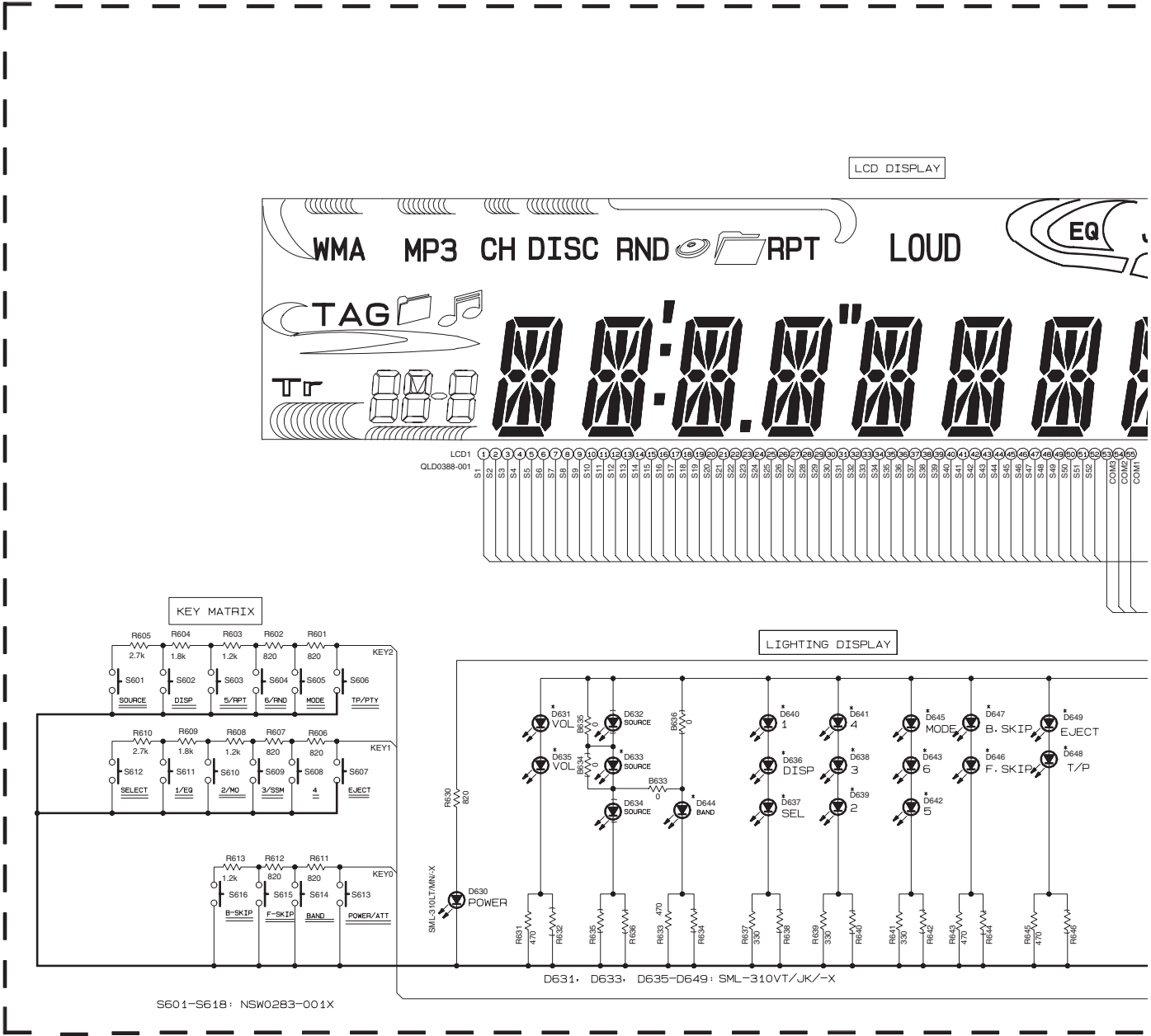
2. UNLESS OTHERWISE SPECIFIED.

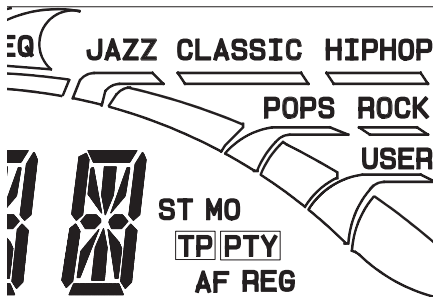
ALL RESISTOR ARE 1/16W ±5%METAL GLAZE RESISTOR.
ALL CAPACITOR ARE 50V OR 25V CERAMIC CAPACITOR.
ALL RESISTANCE VALUES ARE IN OHM
ALL CAPACITANCE VALUES ARE IN uF(p=pF).
ALL INDUCTANCE VALUES ARE IN uH
ALL E. CAPACITORS ARE SHOWN IN THE FORM OF CAPACITANCE(uF)/RATED VOLTAGE(V)

 Parts are safety assurance parts.
When replacing those parts make
sure to use the specified one.



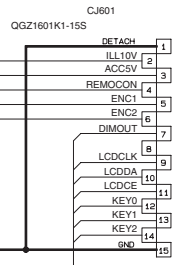
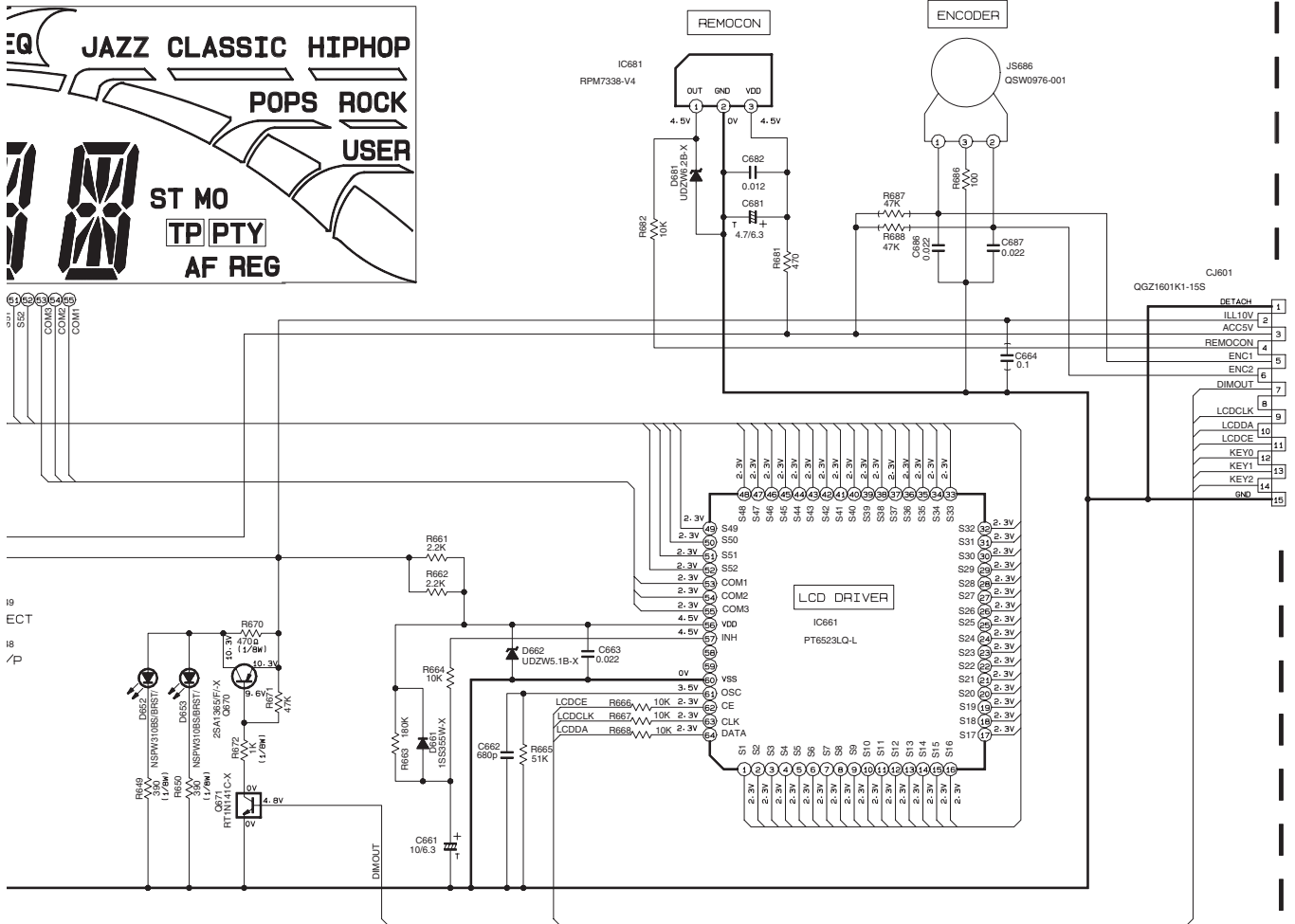
■ LCD & Key control section



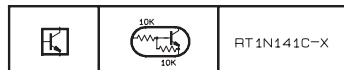


COM1
COM2
COM3
COM4

ECT
/P



TO CNT01
(SHEET 1)

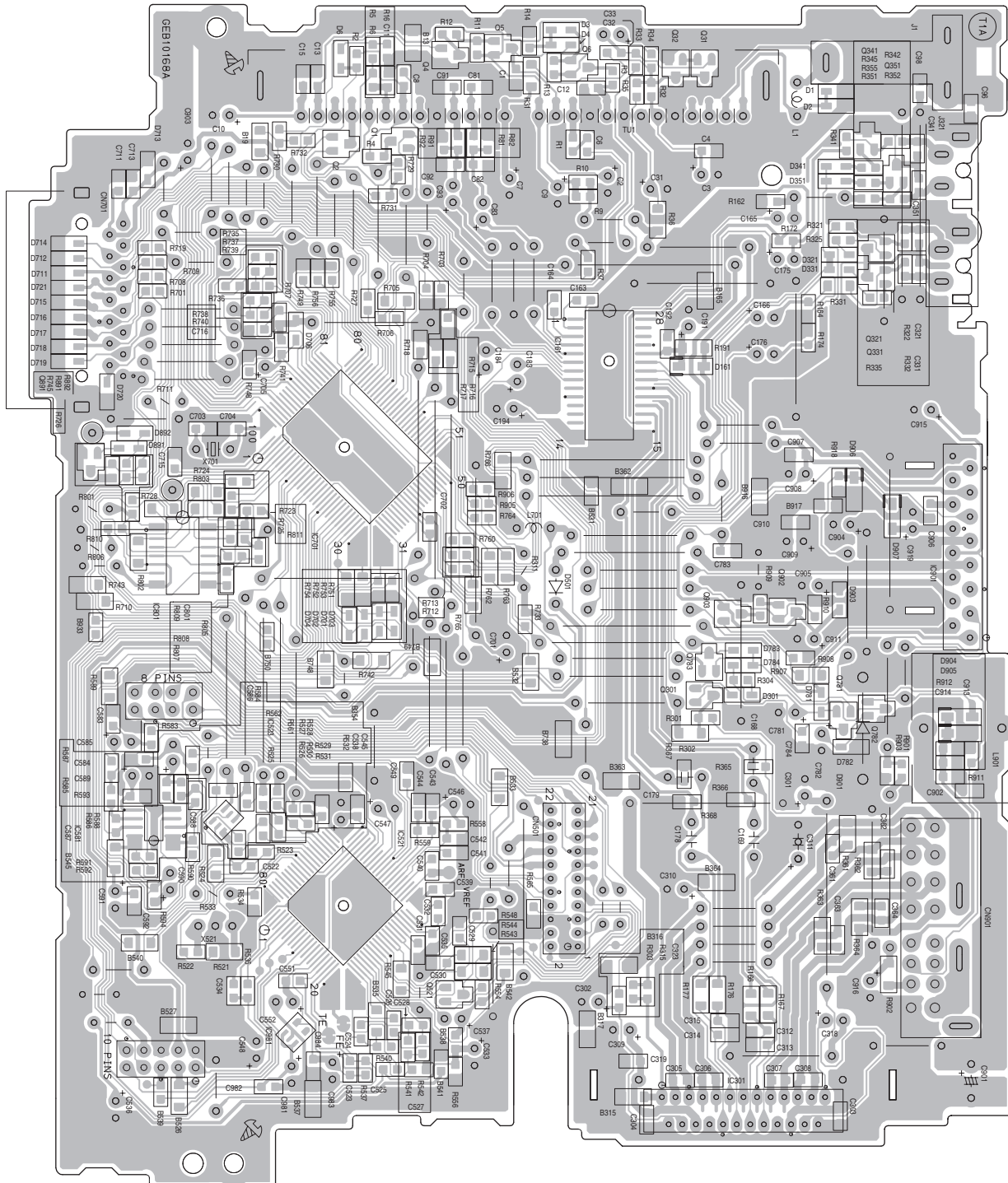


- NOTES
1. VOLTAGES ARE DC-MEASURED WITH A DIGITAL VOLT METER WITHOUT INPUT SIGNAL.
 2. UNLESS OTHERWISE SPECIFIED.
ALL RESISTORS ARE 1/16W ±5% METAL GLAZE RESISTOR.
ALL CAPACITORS ARE 50V OR 25V CERAMIC CAPACITOR.
ALL RESISTANCE VALUES ARE IN OHM.
ALL CAPACITANCE VALUES ARE IN uF(P=pF)
ALL E-CAPACITORS ARE SHOWN IN THE FORM OF CAPACITANCE(uF)/RATED VOLTAGE(V)
T --- TANTALUM CAPACITOR.
 3. COMPONENTS IN () INDICATE NOT USE.

Printed circuit boards

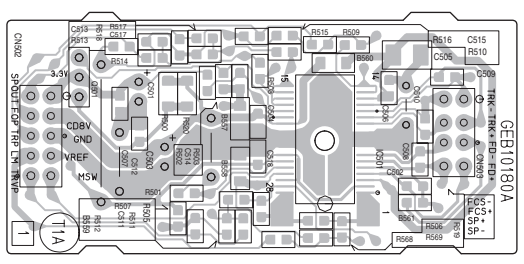
■ Main board (For KD-AR270, KD-G220, KD-G227, KD-G323, KD-G324, KD-G325, KD-G326)

Lead free solder used in the board (material : Sn-Ag-Cu, melting point : 219 Centigrade)



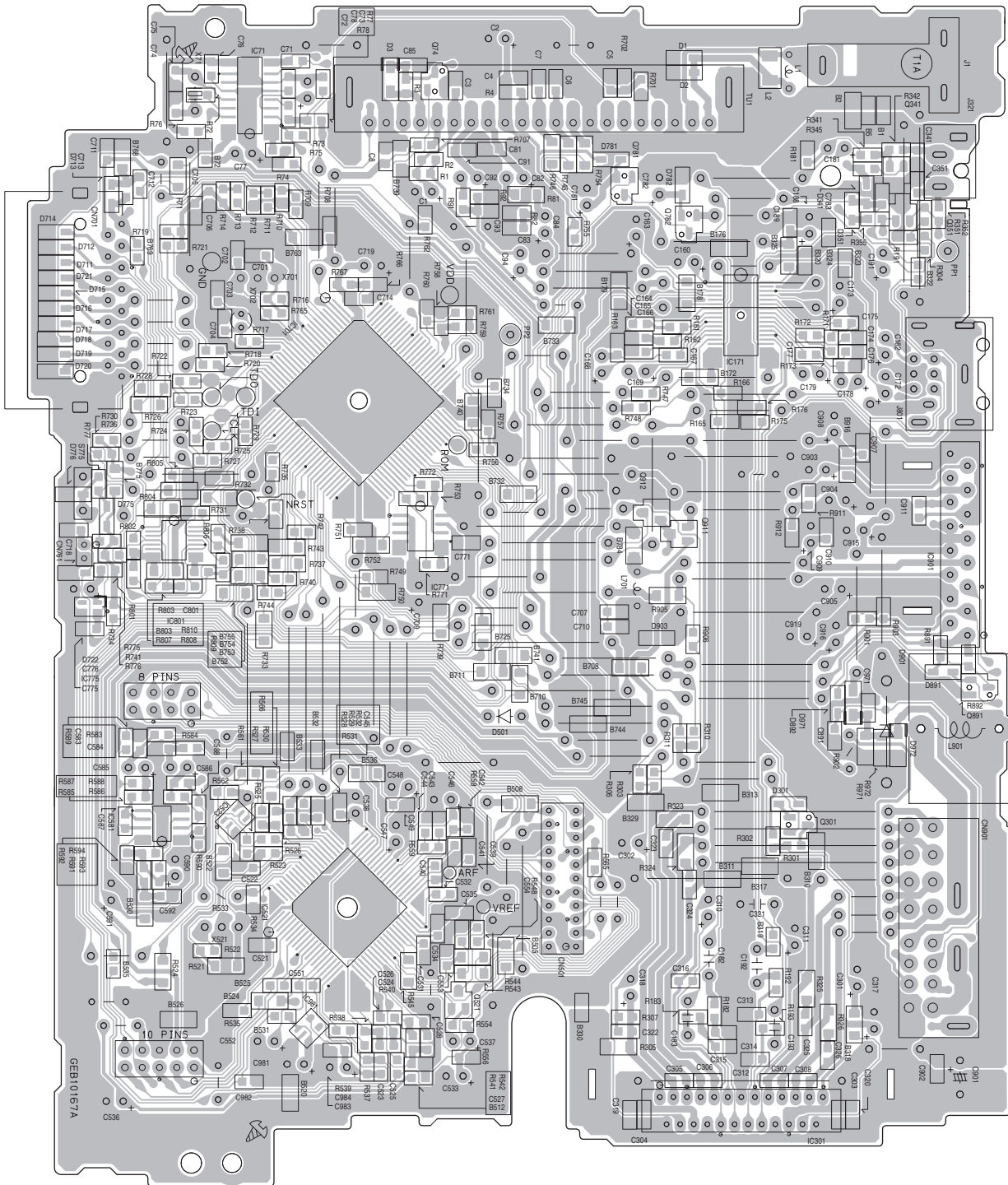
■ Function board

Lead free solder used in the board (material : Sn-Ag-Cu, melting point : 219 Centigrade)



■ Main board (For KD-G321, KD-G322, KD-G327)

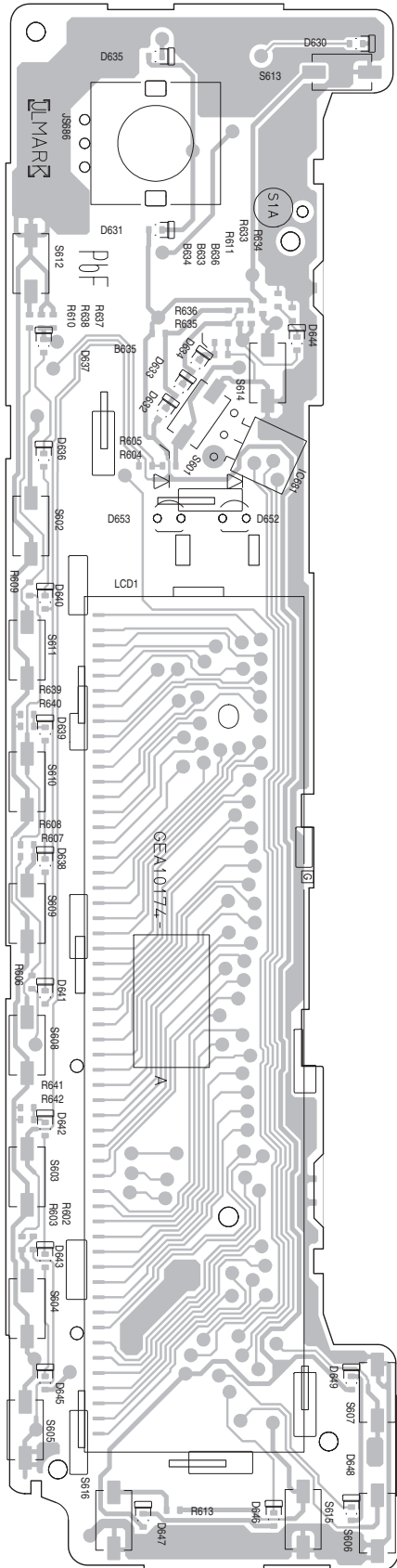
Lead free solder used in the board (material : Sn-Ag-Cu, melting point : 219 Centigrade)



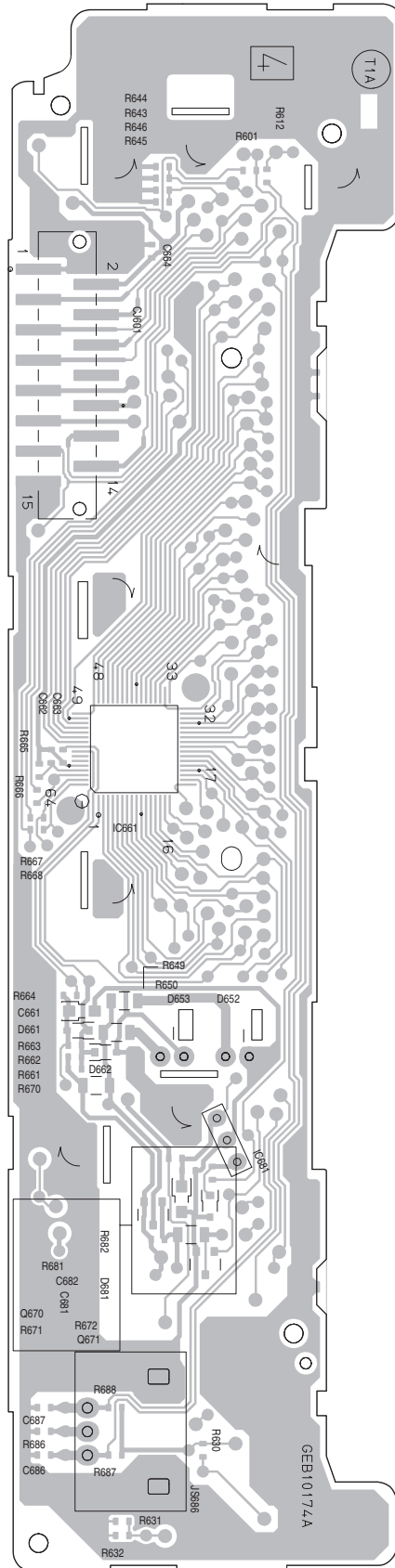
Switch board

Lead free solder used in the board (material : Sn-Ag-Cu, melting point : 219 Centigrade)

Forward side



Reverse side



< MEMO >

JVC

Victor Company of Japan, Limited

Mobile Entertainment Business Group Mobile Entertainment Category 10-1,1chome,Ohwatari-machi,Maebashi-city,371-8543,Japan

(No.MA236SCH)



Printed in Japan
VPT

PARTS LIST

[KD-AR270][KD-G220][KD-G227]
 [KD-G321][KD-G322][KD-G323][KD-G324]
 [KD-G325][KD-G326][KD-G327]

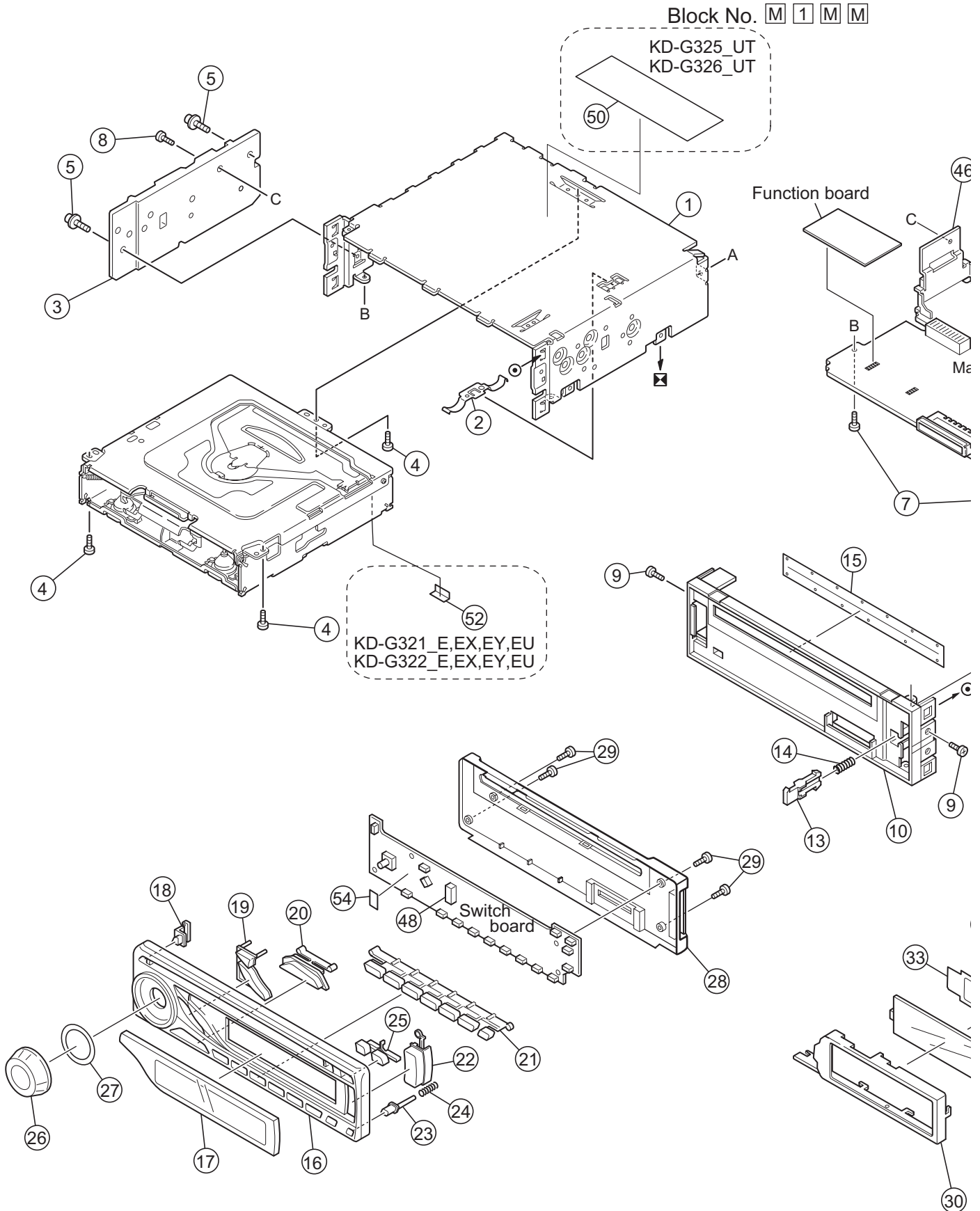
* All printed circuit boards and its assemblies are not available as service parts.

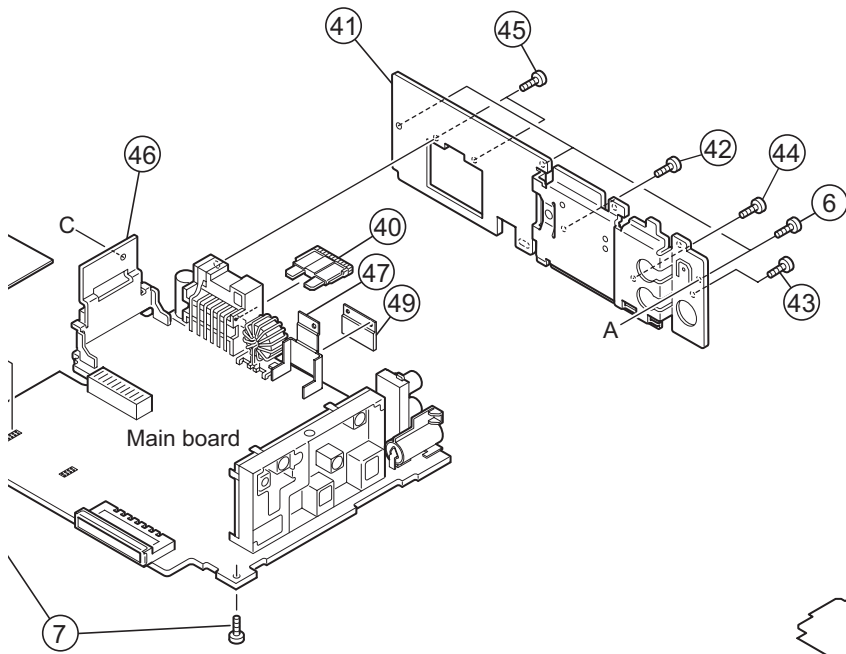
<p style="text-align: center;">KD-AR270,G220</p> <p style="text-align: center;">Area suffix</p> <p>J ----- Northern America</p>	<p style="text-align: center;">KD-G227,G327</p> <p style="text-align: center;">Area suffix</p> <p>EE ----- Russian Federation</p>
<p style="text-align: center;">KD-G321,G322</p> <p style="text-align: center;">Area suffix</p> <p>E ----- Southern Europe EX ----- Northern Europe EY ----- Eastern Europe EU ----- Turkey</p>	<p style="text-align: center;">KD-G323,324</p> <p style="text-align: center;">Area suffix</p> <p>UI ----- India</p>
<p style="text-align: center;">KD-G325,326</p> <p style="text-align: center;">Area suffix</p> <p>UT ----- Taiwan UH ----- Thailand UN ----- Indonesia U ----- Other Areas</p>	

- Contents -

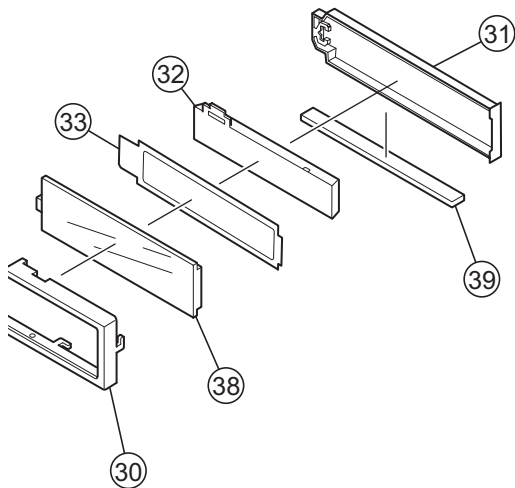
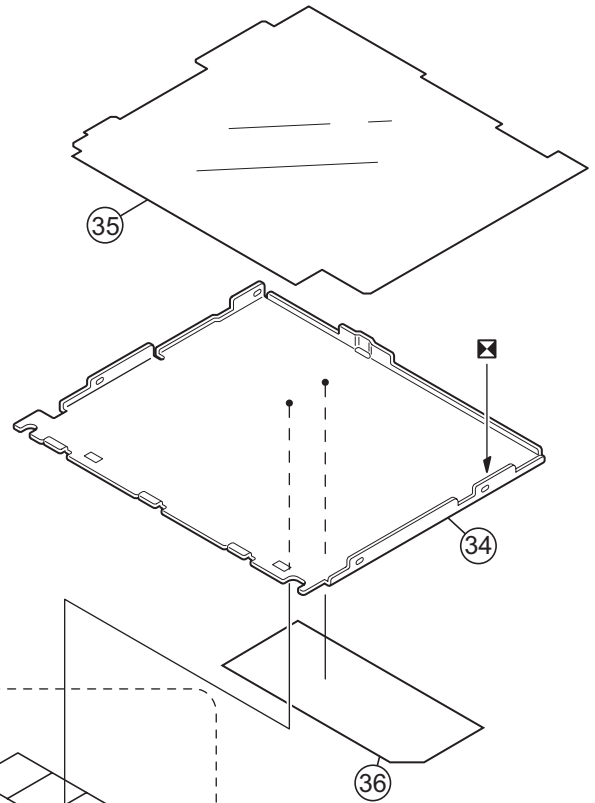
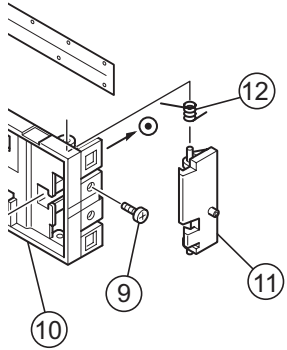
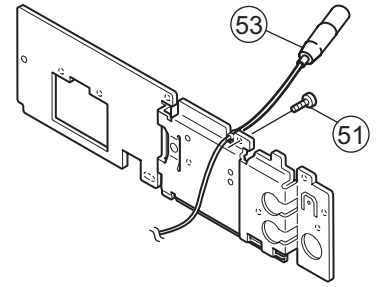
Exploded view of general assembly and parts list (Block No.M1)-----	3- 2
Electrical parts list (KD-AR270,G220,G323,G324,G325,G326)(Block No.01~03)-----	3- 6
Electrical parts list (KD-G227_EE)(Block No.04~06)-----	3-11
Electrical parts list (KD-G321,322_EEXEYEU)(Block No.07~09)-----	3-14
Electrical parts list (KD-G327_EE)(Block No.10~12)-----	3-18
Packing materials and accessories parts list (Block No.M3)-----	3-23

Exploded view of general assembly and parts list





KD-G321_E,EX,EY,EU
 KD-G322_E,EX,EY,EU



KD-G227_EE
 KD-G321_E,EX,EY,EU
 KD-G322_E,EX,EY,EU
 KD-G323_UI
 KD-G324_UI
 KD-G325_U,UN,UT,UH
 KD-G326_U,UN,UT,UH
 KD-G327_EE

General Assembly

Block No. [M][1][M][M]

△	Symbol No.	Part No.	Part Name	Description	Local
	1	GE10136-001A	TOP CHASSIS		
	2	GE40135-001A	EARTH PLATE		
	3	GE31894-001A	HEAT SINK		
	4	QYSDST2604ZA	TAP SCREW	M2.6 x 4mm(x3)	
	5	GE40235-001A	SCREW	(x2)	
	6	QYSDST2604ZA	TAP SCREW	M2.6 x 4mm(x3)	
	7	GE40235-004A	SCREW	(x2)	
	8	QYSDST2610ZA	TAP SCREW	M2.6 x 10mm	
	9	QYSDST2004ZA	TAP SCREW	M2 x 4mm(x2)	
	10	GE10137-001A	FRONT CHASSIS		
	11	GE31569-002A	LOCK LEVER		
	12	GE40269-001A	TORSION SPRING		
	13	GE31978-001A	RLS KNOB		
	14	GE40202-011A	COMP.SPRING		
	15	GE40294-002A	BLIND		
	16	GE10139-018A	FRONT PANEL		AR270J
	16	GE10139-015A	FRONT PANEL		G220J
	16	GE10139-016A	FRONT PANEL		G227EE
	16	GE10139-019A	FRONT PANEL		G321E,G321EU,G321EX,G321EY
	16	GE10139-020A	FRONT PANEL		G322E,G322EU,G322EX,G322EY
	16	GE10139-029A	FRONT PANEL		G323UI
	16	GE10139-030A	FRONT PANEL		G324UI
	16	GE10139-031A	FRONT PANEL		G325U,G325UH,G325UN,G325UT
	16	GE10139-024A	FRONT PANEL		G326U,G326UH,G326UN,G326UT
	16	GE10139-025A	FRONT PANEL		G327EE
	17	GE31967-018A	FINDER ASSY		AR270J
	17	GE31967-017A	FINDER ASSY		G220J
	17	GE31967-019A	FINDER ASSY		G227EE
	17	GE31967-022A	FINDER ASSY		G321E,G321EU,G321EX,G321EY,G322E, G322EU,G322EX,G322EY G323UI,G324UI,G325U,G325UH,G325UN, G325UT,G326U,G326UH,G326UN,G326U T,G327EE
	17	GE31967-020A	FINDER ASSY		
	18	GE31968-002A	POWER BUTTON		
	19	GE31969-001A	SRC BUTTON		
	20	GE31970-001A	SEL BUTTON		
	21	GE20188-001A	PRESET BUTTON		
	22	GE31971-001A	SEARCH BUTTON		
	23	GE31972-001A	DETACH BUTTON		
	24	GE40202-013A	COMP.SPRING		
	25	GE31973-001A	EJECT BUTTON		
	26	GE40296-005A	VOL KNOB ASSY		G220J,G321E,G321EU,G321EX,G321EY, G324UI,G325U,G325UH,G325UN,G325UT AR270J,G227EE,G322E,G322EU,G322EX, G322EY,G323UI,G326U,G326UH,G326UN, G326UT,G327EE
	26	GE40296-006A	VOL KNOB ASSY		
	27	GE40323-002A	SHEET		
	28	GE10140-002A	REAR COVER		
	29	VKZ4777-010	MINI SCREW	(x4)	
	30	GE31975-001A	LCD CASE		
	31	GE31977-001A	LENS CASE		
	32	GE31976-001A	LCD LENS		
	33	GE40297-001A	LIGHTING SHEET		
	34	GE31895-001A	BOTTOM COVER		
	35	GE31984-001A	INSULATOR		
	36	GE31843-001A	NAME PLATE		AR270J
	36	GE31846-001A	NAME PLATE		G220J
	36	GE32017-001A	NAME PLATE		G227EE
	36	GE31858-001A	NAME PLATE		G321E,G321EU,G321EX,G321EY
	36	GE31861-001A	NAME PLATE		G322E,G322EU,G322EX,G322EY
	36	GE32020-001A	NAME PLATE		G323UI
	36	GE32023-001A	NAME PLATE		G324UI
	36	GE31867-001A	NAME PLATE		G325U,G325UH,G325UN,G325UT
	36	GE31870-002A	NAME PLATE		G326U,G326UH,G326UN,G326UT
	36	GE31864-001A	NAME PLATE		G327EE G227EE,G321E,G321EU,G321EX,G321EY ,G322E,G322EU,G322EX,G322EY,G323UI ,G324UI,G325U,G325UH,G325UN,G325U T,G326U,G326UH,G326UN,G326UT,G327 EE G227EE
	37	LV41843-002A	LASER CAUTION		AR270J,G220J,G321E,G321EU,G321EX,G 321EY,G322E,G322EU,G322EX,G322EY, G323UI,G324UI,G325U,G325UH,G325UN, G325UT,G326U,G326UH,G326UN,G326U T
	38	QLD0402-001	LCD MODULE		
	38	QLD0419-001	LCD MODULE		
	38	QLD0390-001	LCD MODULE		

△	Symbol No.	Part No.	Part Name	Description	Local
	38	QLD0388-001	LCD MODULE		G327EE
	39	QNZ0823-001	LCD CONNECTOR		
△	40	QMFZ047-150-T	FUSE	15A	
	41	GE31571-005A	REAR BRACKET		
	42	QYSDST2606ZA	TAP SCREW	M2.6 x 6mm	
	43	QYSDST2606ZA	TAP SCREW	M2.6 x 6mm	
	44	QYSDSF2606ZA	TAP SCREW	M2.6 x 6mm	
	45	QYSDSF2606ZA	TAP SCREW	M2.6 x 6mm(x2)	
	46	GE40172-004A	IC BRACKET		
	47	GE40103-003A	REG BRACKET		
	48	GE30854-001A	LED HOLDER		
	49	GE40107-002A	HEAT SINK		
	50	GE31574-024A	UT LABEL		G325UT
	50	GE31574-025A	UT LABEL		G326UT
	51	QYSDST2604ZA	TAP SCREW	M2.6 x 4mm	G321E, G321EU, G321EX, G321EY, G322E, G322EU, G322EX, G322EY
	52	FSYH4036-100	SHEET		G321E, G321EU, G321EX, G321EY, G322E, G322EU, G322EX, G322EY
	53	QAM0682-001	STEERING REMOTE		G321E, G321EU, G321EX, G321EY, G322E, G322EU, G322EX, G322EY
	54	GE40218-045A	SHEET		

Electrical parts list

Main board

(KD-AR270,G220_J,G323,G324_UI,
G325,326_U,UN,UT,UH)

Block No. [0][1]

△ Symbol No.	Part No.	Part Name	Description	Local
IC161	TDA7419-X	IC		
△ IC301	LA4743K	POWER IC		G220J
				AR270J, G323UI, G324UI, G325U,G 325UH,G 325UN,G 325UT,G 326U,G3 26UH,G3 26UN,G3 26UT
△ IC301	LA47201	POWER AMP IC		
△ IC521	MN6627945EE	IC		
IC523	SN74LVC2G07V-X	LOGIC IC		
IC581	NJM4565E-X	IC		
△ IC701	LC723783-9D14	IC		
△ IC901	AN80T71	REGULATOR IC		
IC981	NJU7772F15-X	IC		
Q1	RT1N141C-X	DIGI TRANSISTOR		
Q2	RT1N141C-X	DIGI TRANSISTOR		
Q4	RT1N141C-X	DIGI TRANSISTOR		
Q5	2SA1365/F-X	TRANSISTOR		
Q6	2SA1530A/QR/-X	TRANSISTOR		
Q31	2SC3928A/QR/-X	TRANSISTOR		
Q32	2SC3928A/QR/-X	TRANSISTOR		
Q301	2SC3928A/QR/-X	TRANSISTOR		
Q341	KTD1304-X	TRANSISTOR		
Q351	KTD1304-X	TRANSISTOR		
Q521	2SA1530A/QR/-X	TRANSISTOR		
Q781	RT1P141C-X	DIGI TRANSISTOR		
Q782	RT1P141C-X	DIGI TRANSISTOR		
Q783	RT1P141C-X	DIGI TRANSISTOR		
Q902	2SC3928A/QR/-X	TRANSISTOR		
Q903	2SA1530A/QR/-X	TRANSISTOR		
D1	1SS355W-X	DIODE C.M		
D2	1SS355W-X	DIODE C.M		
D3	1SS355W-X	DIODE C.M		
D4	1SS355W-X	DIODE C.M		G323UI, G324UI, G325U,G 325UH,G 325UN,G 325UT,G 326U,G3 26UH,G3 26UN,G3 26UT
D6	1SS355W-X	DIODE C.M		
D301	UDZW3.3B-X	SI DIODE		
D341	1SS355W-X	DIODE C.M		
D351	1SS355W-X	DIODE C.M		
D501	1A3G-T1	SI DIODE		
D701	1SS355W-X	DIODE C.M		
D702	1SS355W-X	DIODE C.M		AR270J, G220J
D703	1SS355W-X	DIODE C.M		AR270J, G220J,G 323UI,G3 24UI
D704	1SS355W-X	DIODE C.M		AR270J, G220J
D706	1SS355W-X	DIODE C.M		
D711	UDZW6.2B-X	SI DIODE		
D712	UDZW6.2B-X	SI DIODE		
D713	UDZW6.2B-X	SI DIODE		
D714	UDZW6.2B-X	SI DIODE		
D715	UDZW6.2B-X	SI DIODE		
D716	UDZW6.2B-X	SI DIODE		

△ Symbol No.	Part No.	Part Name	Description	Local
D717	UDZW6.2B-X	SI DIODE		
D718	UDZW6.2B-X	SI DIODE		
D719	UDZW6.2B-X	SI DIODE		
D720	UDZW6.2B-X	SI DIODE		
D721	UDZW6.2B-X	SI DIODE		
D781	1SS355W-X	DIODE C.M		
D782	UDZW10B-X	Z DIODE		
D783	1SS355W-X	DIODE C.M		
D784	1SS355W-X	DIODE C.M		
△ D901	1N5401-F64	DIODE		
D903	1SS355W-X	DIODE C.M		
D904	CRS03-W	SB DIODE		
D905	CRS03-W	SB DIODE		
				G323UI, G324UI, G325U,G 325UH,G 325UN,G 325UT,G 326U,G3 26UH,G3 26UN,G3 26UT
D906	CRS03-W	SB DIODE		
				G323UI, G324UI, G325U,G 325UH,G 325UN,G 325UT,G 326U,G3 26UH,G3 26UN,G3 26UT
D907	CRS03-W	SB DIODE		
				G323UI, G324UI, G325U,G 325UH,G 325UN,G 325UT,G 326U,G3 26UH,G3 26UN,G3 26UT
C1	NDC31HJ-221X	C CAPACITOR	220pF 50V J	
C2	QEKJ1CM-476Z	E CAPACITOR	47uF 16V M	
C3	QEKJ1HM-104Z	E CAPACITOR	0.1uF 50V M	
C4	NCB31EK-223X	C CAPACITOR	0.022uF 25V K	
C6	NCB31HK-103X	C CAPACITOR	0.01uF 50V K	
C7	QEKJ1HM-104Z	E CAPACITOR	0.1uF 50V M	
C8	NDC31HJ-121X	C CAPACITOR	120pF 50V J	
C9	QEKJ1AM-227Z	E CAPACITOR	220uF 10V M	
C10	QEKJ1HM-104Z	E CAPACITOR	0.1uF 50V M	
C11	NCB31HK-103X	C CAPACITOR	0.01uF 50V K	AR270J, G220J G323UI, G324UI, G325U,G 325UH,G 325UN,G 325UT,G 326U,G3 26UH,G3 26UN,G3 26UT
C11	NDC31HJ-331X	C CAPACITOR	330pF 50V J	
C31	QEKJ1AM-227Z	E CAPACITOR	220uF 10V M	
C32	NCB31HK-102X	C CAPACITOR	1000pF 50V K	
C33	QTE1H57-225Z	E CAPACITOR	2.2uF 50V	
C81	NCB31EK-223X	C CAPACITOR	0.022uF 25V K	AR270J, G220J G323UI, G324UI, G325U,G 325UH,G 325UN,G 325UT,G 326U,G3 26UH,G3 26UN,G3 26UT
C81	NCB31EK-123X	C CAPACITOR	0.012uF 25V K	
C82	NCB31HK-682X	C CAPACITOR	6800pF 50V K	AR270J, G220J
C82	NCB31HK-562X	C CAPACITOR	5600pF 50V K	G323UI, G324UI, G325U,G 325UH,G 325UN,G 325UT,G 326U,G3 26UH,G3 26UN,G3 26UT

△ Symbol No.	Part No.	Part Name	Description	Local	△ Symbol No.	Part No.	Part Name	Description	Local
C83	QTE1H57-105Z	E CAPACITOR	1uF 50V						AR270J, G323UI, G324UI, G325U,G 325UH,G 325UN,G 325UT,G 326U,G3 26UH,G3 26UN,G3 26UT
C91	NCB31EK-223X	C CAPACITOR	0.022uF 25V K	AR270J, G220J, G323UI, G324UI, G325U,G 325UH,G 325UN,G 325UT,G 326U,G3 26UH,G3 26UN,G3 26UT	C311	QFV91HJ-474Z	MF CAPACITOR	0.47uF 50V J	
C91	NCB31EK-123X	C CAPACITOR	0.012uF 25V K		C312	NDC31HJ-101X	C CAPACITOR	100pF 50V J	
C92	NCB31HK-682X	C CAPACITOR	6800pF 50V K	AR270J, G220J, G323UI, G324UI, G325U,G 325UH,G 325UN,G 325UT,G 326U,G3 26UH,G3 26UN,G3 26UT	C313	NDC31HJ-101X	C CAPACITOR	100pF 50V J	
C92	NCB31HK-562X	C CAPACITOR	5600pF 50V K		C314	NDC31HJ-101X	C CAPACITOR	100pF 50V J	
C93	QTE1H57-105Z	E CAPACITOR	1uF 50V		C315	NDC31HJ-101X	C CAPACITOR	100pF 50V J	
C96	NCB31HK-103X	C CAPACITOR	0.01uF 50V K		C323	NCB31HK-103X	C CAPACITOR	0.01uF 50V K	
C98	NCB31HK-103X	C CAPACITOR	0.01uF 50V K		C341	NDC31HJ-101X	C CAPACITOR	100pF 50V J	
C163	NCB21CK-474X	C CAPACITOR	0.47uF 16V K		C351	NDC31HJ-101X	C CAPACITOR	100pF 50V J	
C164	NCB21CK-474X	C CAPACITOR	0.47uF 16V K						AR270J, G323UI, G324UI, G325U,G 325UH,G 325UN,G 325UT,G 326U,G3 26UH,G3 26UN,G3 26UT
C165	QEKJ1EM-475Z	E CAPACITOR	4.7uF 25V M		C361	NCB31EK-104X	C CAPACITOR	0.1uF 25V K	
C166	QEKJ1EM-475Z	E CAPACITOR	4.7uF 25V M						AR270J, G323UI, G324UI, G325U,G 325UH,G 325UN,G 325UT,G 326U,G3 26UH,G3 26UN,G3 26UT
C168	QFV91HJ-474Z	MF CAPACITOR	0.47uF 50V J		C362	NCB31EK-104X	C CAPACITOR	0.1uF 25V K	
C169	QFV91HJ-474Z	MF CAPACITOR	0.47uF 50V J						AR270J, G323UI, G324UI, G325U,G 325UH,G 325UN,G 325UT,G 326U,G3 26UH,G3 26UN,G3 26UT
C175	QEKJ1EM-475Z	E CAPACITOR	4.7uF 25V M						AR270J, G323UI, G324UI, G325U,G 325UH,G 325UN,G 325UT,G 326U,G3 26UH,G3 26UN,G3 26UT
C176	QEKJ1EM-475Z	E CAPACITOR	4.7uF 25V M						AR270J, G323UI, G324UI, G325U,G 325UH,G 325UN,G 325UT,G 326U,G3 26UH,G3 26UN,G3 26UT
C178	QFV91HJ-474Z	MF CAPACITOR	0.47uF 50V J						AR270J, G323UI, G324UI, G325U,G 325UH,G 325UN,G 325UT,G 326U,G3 26UH,G3 26UN,G3 26UT
C179	QFV91HJ-474Z	MF CAPACITOR	0.47uF 50V J						AR270J, G323UI, G324UI, G325U,G 325UH,G 325UN,G 325UT,G 326U,G3 26UH,G3 26UN,G3 26UT
C183	QTE1H54-225Z	E CAPACITOR	2.2uF 50V						AR270J, G323UI, G324UI, G325U,G 325UH,G 325UN,G 325UT,G 326U,G3 26UH,G3 26UN,G3 26UT
C184	QTE1H54-225Z	E CAPACITOR	2.2uF 50V						AR270J, G323UI, G324UI, G325U,G 325UH,G 325UN,G 325UT,G 326U,G3 26UH,G3 26UN,G3 26UT
C191	QTE1A57-107Z	E CAPACITOR	100uF 10V						AR270J, G323UI, G324UI, G325U,G 325UH,G 325UN,G 325UT,G 326U,G3 26UH,G3 26UN,G3 26UT
C192	NCB31HK-103X	C CAPACITOR	0.01uF 50V K						AR270J, G323UI, G324UI, G325U,G 325UH,G 325UN,G 325UT,G 326U,G3 26UH,G3 26UN,G3 26UT
C194	QTE1C57-106Z	E CAPACITOR	10uF 16V						AR270J, G323UI, G324UI, G325U,G 325UH,G 325UN,G 325UT,G 326U,G3 26UH,G3 26UN,G3 26UT
C301	QEKJ1HM-335Z	E CAPACITOR	3.3uF 50V M	G220J	C363	NCB31EK-104X	C CAPACITOR	0.1uF 25V K	
C301	QEKJ1HM-224Z	E CAPACITOR	0.22uF 50V M	AR270J, G323UI, G324UI, G325U,G 325UH,G 325UN,G 325UT,G 326U,G3 26UH,G3 26UN,G3 26UT	C364	NCB31EK-104X	C CAPACITOR	0.1uF 25V K	
C302	QEKJ1EM-475Z	E CAPACITOR	4.7uF 25V M						AR270J, G323UI, G324UI, G325U,G 325UH,G 325UN,G 325UT,G 326U,G3 26UH,G3 26UN,G3 26UT
C303	NCB31HK-223X	C CAPACITOR	0.022uF 50V K						AR270J, G323UI, G324UI, G325U,G 325UH,G 325UN,G 325UT,G 326U,G3 26UH,G3 26UN,G3 26UT
C304	NCB31HK-223X	C CAPACITOR	0.022uF 50V K						AR270J, G323UI, G324UI, G325U,G 325UH,G 325UN,G 325UT,G 326U,G3 26UH,G3 26UN,G3 26UT
C305	NCB31EK-104X	C CAPACITOR	0.1uF 25V K	G220J	C522	NCB31CK-224X	C CAPACITOR	0.22uF 16V K	
C306	NCB31EK-104X	C CAPACITOR	0.1uF 25V K	G220J	C523	NDC31HJ-101X	C CAPACITOR	100pF 50V J	
C307	NCB31EK-104X	C CAPACITOR	0.1uF 25V K	G220J	C524	NDC31HJ-561X	C CAPACITOR	560pF 50V J	
C308	NCB31EK-104X	C CAPACITOR	0.1uF 25V K	G220J	C525	NCB31HK-223X	C CAPACITOR	0.022uF 50V K	
C310	QTE1C57-476Z	E CAPACITOR	47uF 16V	AR270J, G323UI, G324UI, G325U,G 325UH,G 325UN,G 325UT,G 326U,G3 26UH,G3 26UN,G3 26UT	C526	NCB31HK-223X	C CAPACITOR	0.022uF 50V K	
C310	QTE1C57-106Z	E CAPACITOR	10uF 16V		C527	NCB31EK-332X	C CAPACITOR	3300pF 25V K	
C311	QEKJ1CM-226Z	E CAPACITOR	22uF 16V M	G220J	C528	NDC31HJ-181X	C CAPACITOR	180pF 50V J	
					C529	NCB31HK-822X	C CAPACITOR	8200pF 50V K	
					C530	NCB31HK-822X	C CAPACITOR	8200pF 50V K	
					C531	NCB31AK-334X	C CAPACITOR	0.33uF 10V K	
					C532	NCB31AK-334X	C CAPACITOR	0.33uF 10V K	
					C533	QEKJ0JM-476Z	E CAPACITOR	47uF 6.3V M	
					C534	NCB31EK-104X	C CAPACITOR	0.1uF 25V K	
					C535	NCB31EK-104X	C CAPACITOR	0.1uF 25V K	
					C536	QEKJ0JM-476Z	E CAPACITOR	47uF 6.3V M	
					C537	QEKJ0JM-476Z	E CAPACITOR	47uF 6.3V M	
					C538	QEKJ0JM-476Z	E CAPACITOR	47uF 6.3V M	
					C539	NCB31EK-104X	C CAPACITOR	0.1uF 25V K	
					C540	NDC31HJ-681X	C CAPACITOR	680pF 50V J	
					C541	NCB31EK-153X	C CAPACITOR	0.015uF 25V K	
					C542	NCB31EK-104X	C CAPACITOR	0.1uF 25V K	
					C543	NCB31HK-102X	C CAPACITOR	1000pF 50V K	

△ Symbol No.	Part No.	Part Name	Description	Local	△ Symbol No.	Part No.	Part Name	Description	Local
C544	NCB31EK-823X	C CAPACITOR	0.082uF 25V K		R3	NRSA02J-100X	MG RESISTOR	10Ω 1/10W J	
C545	NCB31EK-104X	C CAPACITOR	0.1uF 25V K		R4	NRSA63J-103X	MG RESISTOR	10kΩ 1/16W J	
C546	QEKJ0JM-227Z	E CAPACITOR	220uF 6.3V M		R5	NRSA63J-223X	MG RESISTOR	22kΩ 1/16W J	
C547	QTE0J57-476Z	E CAPACITOR	47uF 6.3V		R6	NRSA63J-822X	MG RESISTOR	8.2kΩ 1/16W J	
C548	QTE0J57-476Z	E CAPACITOR	47uF 6.3V		R9	NRSA02J-220X	MG RESISTOR	22Ω 1/10W J	
C549	NCB31EK-104X	C CAPACITOR	0.1uF 25V K		R10	NRSA02J-220X	MG RESISTOR	22Ω 1/10W J	
C551	NCB31EK-104X	C CAPACITOR	0.1uF 25V K		R11	NRSA63J-103X	MG RESISTOR	10kΩ 1/16W J	
C552	QEKJ0JM-476Z	E CAPACITOR	47uF 6.3V M		R12	NRSA63J-102X	MG RESISTOR	1kΩ 1/16W J	
C583	NDC31HJ-821X	C CAPACITOR	820pF 50V J		R13	NRSA63J-103X	MG RESISTOR	10kΩ 1/16W J	
C584	NDC31HJ-821X	C CAPACITOR	820pF 50V J		R14	NRSA63J-222X	MG RESISTOR	2.2kΩ 1/16W J	
C585	QTE1E57-475Z	E CAPACITOR	4.7uF 25V		R16	NRSA63J-0R0X	MG RESISTOR	0Ω 1/16W J	AR270J, G220J
C586	QTE1E57-475Z	E CAPACITOR	4.7uF 25V						G323UI, G324UI, G325U,G 325UH,G 325UN,G 325UT,G 326U,G3 26UH,G3 26UN,G3 26UT
C587	NDC31HJ-151X	C CAPACITOR	150pF 50V J						
C588	NDC31HJ-151X	C CAPACITOR	150pF 50V J						
C589	QTE0J57-476Z	E CAPACITOR	47uF 6.3V						
C590	QTE0J57-476Z	E CAPACITOR	47uF 6.3V						
C591	QTE1C57-107Z	E CAPACITOR	100uF 16V		R16	NRSA63J-104X	MG RESISTOR	100kΩ 1/16W J	
C592	NCB31EK-104X	C CAPACITOR	0.1uF 25V K						
C701	QEKJ0JM-227Z	E CAPACITOR	220uF 6.3V M						
C702	NCB31HK-103X	C CAPACITOR	0.01uF 50V K						
C703	NDC31HJ-220X	C CAPACITOR	22pF 50V J						
C704	NDC31HJ-270X	C CAPACITOR	27pF 50V J		R31	NRS181J-102X	MG RESISTOR	1kΩ 1/8W J	
C705	QEKJ1CM-106Z	E CAPACITOR	10uF 16V M		R32	NRSA63J-102X	MG RESISTOR	1kΩ 1/16W J	
C711	NCB31EK-104X	C CAPACITOR	0.1uF 25V K		R33	NRSA63J-152X	MG RESISTOR	1.5kΩ 1/16W J	
C713	NCB31EK-104X	C CAPACITOR	0.1uF 25V K		R34	NRSA63J-102X	MG RESISTOR	1kΩ 1/16W J	
C715	NCB31EK-104X	C CAPACITOR	0.1uF 25V K		R35	NRSA63J-103X	MG RESISTOR	10kΩ 1/16W J	
C716	NCB31EK-104X	C CAPACITOR	0.1uF 25V K		R36	NRS181J-471X	MG RESISTOR	470Ω 1/8W J	
C781	QEKJ0JM-227Z	E CAPACITOR	220uF 6.3V M		R37	NRSA63J-0R0X	MG RESISTOR	0Ω 1/16W J	
C782	QEKJ1CM-476Z	E CAPACITOR	47uF 16V M		R81	NRSA63J-332X	MG RESISTOR	3.3kΩ 1/16W J	AR270J, G220J G323UI, G324UI, G325U,G 325UH,G 325UN,G 325UT,G 326U,G3 26UH,G3 26UN,G3 26UT
C783	NCB31EK-823X	C CAPACITOR	0.082uF 25V K						
C901	QEZ0645-228	E CAPACITOR	2200uF	G220J AR270J, G323UI, G324UI, G325U,G 325UH,G 325UN,G 325UT,G 326U,G3 26UH,G3 26UN,G3 26UT					
C901	QEZ0769-278	E CAPACITOR	2700uF	G220J AR270J, G323UI, G324UI, G325U,G 325UH,G 325UN,G 325UT,G 326U,G3 26UH,G3 26UN,G3 26UT					
C902	NCB31HK-103X	C CAPACITOR	0.01uF 50V K						
C903	QEKJ1CM-226Z	E CAPACITOR	22uF 16V M						
C904	QEKJ1CM-226Z	E CAPACITOR	22uF 16V M						
C905	QEKJ1CM-226Z	E CAPACITOR	22uF 16V M						
C906	NCB31EK-104X	C CAPACITOR	0.1uF 25V K		R82	NRSA63J-912X	MG RESISTOR	9.1kΩ 1/16W J	
C907	NCB31HK-103X	C CAPACITOR	0.01uF 50V K						
C908	QEKJ1AM-107Z	E CAPACITOR	100uF 10V M						
C909	QEKJ1AM-107Z	E CAPACITOR	100uF 10V M						
C910	NCB31HK-103X	C CAPACITOR	0.01uF 50V K						
C911	QEKJ1AM-227Z	E CAPACITOR	220uF 10V M		R91	NRSA63J-332X	MG RESISTOR	3.3kΩ 1/16W J	AR270J, G220J G323UI, G324UI, G325U,G 325UH,G 325UN,G 325UT,G 326U,G3 26UH,G3 26UN,G3 26UT
C913	NCB31CK-224X	C CAPACITOR	0.22uF 16V K	G323UI, G324UI, G325U,G 325UH,G 325UN,G 325UT,G 326U,G3 26UH,G3 26UN,G3 26UT					
C913	NCB31CK-224X	C CAPACITOR	0.22uF 16V K	G323UI, G324UI, G325U,G 325UH,G 325UN,G 325UT,G 326U,G3 26UH,G3 26UN,G3 26UT	R91	NRSA63J-272X	MG RESISTOR	2.7kΩ 1/16W J	
C914	NCB31EK-104X	C CAPACITOR	0.1uF 25V K						
C915	QEKJ1CM-107Z	E CAPACITOR	100uF 16V M		R92	NRSA63J-392X	MG RESISTOR	3.9kΩ 1/16W J	AR270J, G220J G323UI, G324UI, G325U,G 325UH,G 325UN,G 325UT,G 326U,G3 26UH,G3 26UN,G3 26UT
C916	QEKJ1HM-225Z	E CAPACITOR	2.2uF 50V M						
C919	QEKJ1CM-106Z	E CAPACITOR	10uF 16V M	G323UI, G324UI, G325U,G 325UH,G 325UN,G 325UT,G 326U,G3 26UH,G3 26UN,G3 26UT					
C919	QEKJ1CM-106Z	E CAPACITOR	10uF 16V M	G323UI, G324UI, G325U,G 325UH,G 325UN,G 325UT,G 326U,G3 26UH,G3 26UN,G3 26UT	R92	NRSA63J-912X	MG RESISTOR	9.1kΩ 1/16W J	
C982	NCB31EK-104X	C CAPACITOR	0.1uF 25V K		R162	NRSA63J-473X	MG RESISTOR	47kΩ 1/16W J	
C983	QEKJ0JM-107Z	E CAPACITOR	100uF 6.3V M		R164	NRSA63J-473X	MG RESISTOR	47kΩ 1/16W J	
C984	NCB31EK-104X	C CAPACITOR	0.1uF 25V K		R166	NRS181J-273X	MG RESISTOR	27kΩ 1/8W J	G220J
R1	NRSA63J-101X	MG RESISTOR	100Ω 1/16W J						
R2	NRSA63J-103X	MG RESISTOR	10kΩ 1/16W J						

△ Symbol No.	Part No.	Part Name	Description	Local	△ Symbol No.	Part No.	Part Name	Description	Local
R166	NRZ0084-0R0X	MG RESISTOR	0Ω	AR270J, G323UI, G324UI, G325U,G 325UH,G 325UN,G 325UT,G 326U,G3 26UH,G3 26UN,G3 26UT	R361	NRS181J-2R2X	MG RESISTOR	2.2Ω 1/8W J	AR270J, G323UI, G324UI, G325U,G 325UH,G 325UN,G 325UT,G 326U,G3 26UH,G3 26UN,G3 26UT
R167	NRS181J-273X	MG RESISTOR	27kΩ 1/8W J	G220J AR270J, G323UI, G324UI, G325U,G 325UH,G 325UN,G 325UT,G 326U,G3 26UH,G3 26UN,G3 26UT	R362	NRS181J-2R2X	MG RESISTOR	2.2Ω 1/8W J	AR270J, G323UI, G324UI, G325U,G 325UH,G 325UN,G 325UT,G 326U,G3 26UH,G3 26UN,G3 26UT
R172	NRSA63J-473X	MG RESISTOR	47kΩ 1/16W J		R363	NRS181J-2R2X	MG RESISTOR	2.2Ω 1/8W J	AR270J, G323UI, G324UI, G325U,G 325UH,G 325UN,G 325UT,G 326U,G3 26UH,G3 26UN,G3 26UT
R174	NRSA63J-473X	MG RESISTOR	47kΩ 1/16W J						
R176	NRZ0084-0R0X	MG RESISTOR	0Ω	G220J AR270J, G323UI, G324UI, G325U,G 325UH,G 325UN,G 325UT,G 326U,G3 26UH,G3 26UN,G3 26UT	R364	NRS181J-2R2X	MG RESISTOR	2.2Ω 1/8W J	AR270J, G323UI, G324UI, G325U,G 325UH,G 325UN,G 325UT,G 326U,G3 26UH,G3 26UN,G3 26UT
R177	NRS181J-273X	MG RESISTOR	27kΩ 1/8W J	G220J AR270J, G323UI, G324UI, G325U,G 325UH,G 325UN,G 325UT,G 326U,G3 26UH,G3 26UN,G3 26UT	R364	NRS181J-2R2X	MG RESISTOR	2.2Ω 1/8W J	AR270J, G323UI, G324UI, G325U,G 325UH,G 325UN,G 325UT,G 326U,G3 26UH,G3 26UN,G3 26UT
R177	NRZ0084-0R0X	MG RESISTOR	0Ω	G220J AR270J, G323UI, G324UI, G325U,G 325UH,G 325UN,G 325UT,G 326U,G3 26UH,G3 26UN,G3 26UT	R521	NRS181J-105X	MG RESISTOR	1MΩ 1/8W J	
R191	NRS181J-0R0X	MG RESISTOR	0Ω 1/8W J		R522	NRSA63J-221X	MG RESISTOR	220Ω 1/16W J	
R301	NRSA63J-152X	MG RESISTOR	1.5kΩ 1/16W J	G220J AR270J, G323UI, G324UI, G325U,G 325UH,G 325UN,G 325UT,G 326U,G3 26UH,G3 26UN,G3 26UT	R523	NRSA63J-472X	MG RESISTOR	4.7kΩ 1/16W J	
R301	NRSA63J-102X	MG RESISTOR	1kΩ 1/16W J	G220J AR270J, G323UI, G324UI, G325U,G 325UH,G 325UN,G 325UT,G 326U,G3 26UH,G3 26UN,G3 26UT	R524	NRS181J-222X	MG RESISTOR	2.2kΩ 1/8W J	
R302	NRS181J-473X	MG RESISTOR	47kΩ 1/8W J	G220J AR270J, G323UI, G324UI, G325U,G 325UH,G 325UN,G 325UT,G 326U,G3 26UH,G3 26UN,G3 26UT	R525	NRSA63J-102X	MG RESISTOR	1kΩ 1/16W J	
R303	NRSA63J-102X	MG RESISTOR	1kΩ 1/16W J	G220J AR270J, G323UI, G324UI, G325U,G 325UH,G 325UN,G 325UT,G 326U,G3 26UH,G3 26UN,G3 26UT	R526	NRSA63J-102X	MG RESISTOR	1kΩ 1/16W J	
R304	NRSA63J-472X	MG RESISTOR	4.7kΩ 1/16W J	G220J AR270J, G323UI, G324UI, G325U,G 325UH,G 325UN,G 325UT,G 326U,G3 26UH,G3 26UN,G3 26UT	R527	NRSA63J-222X	MG RESISTOR	2.2kΩ 1/16W J	
R315	NRSA63J-752X	MG RESISTOR	7.5kΩ 1/16W J	AR270J, G323UI, G324UI, G325U,G 325UH,G 325UN,G 325UT,G 326U,G3 26UH,G3 26UN,G3 26UT	R528	NRSA63J-222X	MG RESISTOR	2.2kΩ 1/16W J	
R341	NRSA63J-821X	MG RESISTOR	820Ω 1/16W J		R529	NRSA63J-222X	MG RESISTOR	2.2kΩ 1/16W J	
R342	NRSA63J-101X	MG RESISTOR	100Ω 1/16W J		R530	NRSA63J-472X	MG RESISTOR	4.7kΩ 1/16W J	
R345	NRSA63J-222X	MG RESISTOR	2.2kΩ 1/16W J		R531	NRSA63J-472X	MG RESISTOR	4.7kΩ 1/16W J	
R351	NRSA63J-821X	MG RESISTOR	820Ω 1/16W J		R532	NRSA63J-472X	MG RESISTOR	4.7kΩ 1/16W J	
R352	NRSA63J-101X	MG RESISTOR	100Ω 1/16W J		R533	QRE141J-273Y	C RESISTOR	27kΩ 1/4W J	
R355	NRSA63J-222X	MG RESISTOR	2.2kΩ 1/16W J		R534	NRSA63J-683X	MG RESISTOR	68kΩ 1/16W J	
					R535	NRSA63J-103X	MG RESISTOR	10kΩ 1/16W J	
					R537	NRSA63J-155X	MG RESISTOR	1.5MΩ 1/16W J	
					R540	NRSA63J-303X	MG RESISTOR	30kΩ 1/16W J	
					R541	NRSA63J-393X	MG RESISTOR	39kΩ 1/16W J	
					R542	NRSA63J-472X	MG RESISTOR	4.7kΩ 1/16W J	
					R543	NRS181J-102X	MG RESISTOR	1kΩ 1/8W J	
					R544	NRS181J-102X	MG RESISTOR	1kΩ 1/8W J	
					R545	NRS181J-332X	MG RESISTOR	3.3kΩ 1/8W J	
					R548	NRSA63J-332X	MG RESISTOR	3.3kΩ 1/16W J	
					R554	NRSA63J-4R7X	MG RESISTOR	4.7Ω 1/16W J	
					R556	NRSA63J-473X	MG RESISTOR	47kΩ 1/16W J	
					R558	NRSA63J-823X	MG RESISTOR	82kΩ 1/16W J	
					R559	NRSA63J-821X	MG RESISTOR	820Ω 1/16W J	
					R561	NRSA63J-102X	MG RESISTOR	1kΩ 1/16W J	
					R562	NRSA63J-102X	MG RESISTOR	1kΩ 1/16W J	
					R565	NRSA63J-151X	MG RESISTOR	150Ω 1/16W J	
					R583	NRSA63J-153X	MG RESISTOR	15kΩ 1/16W J	
					R584	NRSA63J-153X	MG RESISTOR	15kΩ 1/16W J	
					R585	NRSA63J-562X	MG RESISTOR	5.6kΩ 1/16W J	
					R586	NRSA63J-562X	MG RESISTOR	5.6kΩ 1/16W J	
					R587	NRSA63J-273X	MG RESISTOR	27kΩ 1/16W J	
					R588	NRSA63J-273X	MG RESISTOR	27kΩ 1/16W J	
					R589	NRS181J-0R0X	MG RESISTOR	0Ω 1/8W J	
					R590	NRSA63J-0R0X	MG RESISTOR	0Ω 1/16W J	
					R591	NRSA63J-223X	MG RESISTOR	22kΩ 1/16W J	

Symbol No.	Part No.	Part Name	Description	Local
R592	NRSA63J-223X	MG RESISTOR	22kΩ 1/16W J	
R593	NRSA63J-223X	MG RESISTOR	22kΩ 1/16W J	
R594	NRSA63J-223X	MG RESISTOR	22kΩ 1/16W J	
R701	NRSA63J-332X	MG RESISTOR	3.3kΩ 1/16W J	
R705	NRS181J-103X	MG RESISTOR	10kΩ 1/8W J	
R706	NRSA63J-103X	MG RESISTOR	10kΩ 1/16W J	
R707	NRSA63J-473X	MG RESISTOR	47kΩ 1/16W J	
R708	NRSA63J-332X	MG RESISTOR	3.3kΩ 1/16W J	
R709	NRSA63J-332X	MG RESISTOR	3.3kΩ 1/16W J	
R710	NRS181J-473X	MG RESISTOR	47kΩ 1/8W J	
R711	QRE141J-103Y	C RESISTOR	10kΩ 1/4W J	
R712	NRSA02J-472X	MG RESISTOR	4.7kΩ 1/10W J	
R713	NRSA02J-472X	MG RESISTOR	4.7kΩ 1/10W J	
R715	NRSA63J-473X	MG RESISTOR	47kΩ 1/16W J	
R716	NRSA63J-473X	MG RESISTOR	47kΩ 1/16W J	
R717	NRSA63J-473X	MG RESISTOR	47kΩ 1/16W J	
R718	NRSA63J-103X	MG RESISTOR	10kΩ 1/16W J	
R719	NRSA63J-0R0X	MG RESISTOR	0Ω 1/16W J	
R727	NRSA63J-472X	MG RESISTOR	4.7kΩ 1/16W J	
R729	NRSA63J-473X	MG RESISTOR	47kΩ 1/16W J	
R730	NRSA63J-103X	MG RESISTOR	10kΩ 1/16W J	
R731	NRSA63J-103X	MG RESISTOR	10kΩ 1/16W J	
R732	NRSA63J-102X	MG RESISTOR	1kΩ 1/16W J	
R733	NRSA63J-473X	MG RESISTOR	47kΩ 1/16W J	
R735	NRSA63J-472X	MG RESISTOR	4.7kΩ 1/16W J	
R736	NRSA63J-103X	MG RESISTOR	10kΩ 1/16W J	
R737	NRSA63J-472X	MG RESISTOR	4.7kΩ 1/16W J	
R738	NRSA63J-472X	MG RESISTOR	4.7kΩ 1/16W J	
R739	NRSA63J-103X	MG RESISTOR	10kΩ 1/16W J	
R740	NRSA63J-103X	MG RESISTOR	10kΩ 1/16W J	
R741	NRSA63J-473X	MG RESISTOR	47kΩ 1/16W J	
R742	NRS181J-512X	MG RESISTOR	5.1kΩ 1/8W J	
R743	NRS181J-473X	MG RESISTOR	47kΩ 1/8W J	
R745	NRSA63J-473X	MG RESISTOR	47kΩ 1/16W J	
R748	NRSA63J-473X	MG RESISTOR	47kΩ 1/16W J	
R749	NRSA63J-473X	MG RESISTOR	47kΩ 1/16W J	
R751	NRSA63J-103X	MG RESISTOR	10kΩ 1/16W J	
R752	NRS181J-103X	MG RESISTOR	10kΩ 1/8W J	
R753	NRSA63J-103X	MG RESISTOR	10kΩ 1/16W J	
R754	NRS181J-103X	MG RESISTOR	10kΩ 1/8W J	
R755	NRSA63J-473X	MG RESISTOR	47kΩ 1/16W J	
R756	NRSA63J-473X	MG RESISTOR	47kΩ 1/16W J	
R762	NRS181J-222X	MG RESISTOR	2.2kΩ 1/8W J	
R901	NRSA63J-912X	MG RESISTOR	9.1kΩ 1/16W J	
R902	NRS181J-102X	MG RESISTOR	1kΩ 1/8W J	
R903	NRSA63J-472X	MG RESISTOR	4.7kΩ 1/16W J	
R905	NRSA63J-102X	MG RESISTOR	1kΩ 1/16W J	
R906	NRSA63J-102X	MG RESISTOR	1kΩ 1/16W J	
R907	NRS181J-123X	MG RESISTOR	12kΩ 1/8W J	
R908	NRSA63J-273X	MG RESISTOR	27kΩ 1/16W J	
R909	NRSA63J-273X	MG RESISTOR	27kΩ 1/16W J	
R910	NRSA63J-473X	MG RESISTOR	47kΩ 1/16W J	
R911	NRSA02J-222X	MG RESISTOR	2.2kΩ 1/10W J	
R912	NRSA02J-222X	MG RESISTOR	2.2kΩ 1/10W J	
			G323UI, G324UI, G325U,G 325UH,G 325UN,G 325UT,G 326U,G3 26UH,G3 26UN,G3 26UT	
R918	NRSA02J-103X	MG RESISTOR	10kΩ 1/10W J	
L1	QQL244J-4R7Z	COIL	4.7uH J	
L701	QQL244K-4R7Z	COIL	4.7uH K	
L901	QQR0703-001	CHOKE COIL		
CN501	QGB2027M4-22S	CONNECTOR	B-B (1-22)	
CN701	QGZ1601J1-15	CONNECTOR	(1-15)	
CN901	QNZ0611-001	16P CONNECTOR		
J1	QNB0190-001	CAR ANT JACK		
J321	QNN0773-001	PIN JACK		
TU1	QAU0394-003	TUNER PACK		
X521	QAX0714-001Z	C RESONATOR	16.000MHz	
X701	QAX0406-001Z	CRYSTAL	4.500MHz	

Switch board

(KD-AR270,G220_J,G323,G324_UI,
G325,326_U,UN,UT,UH)

Block No. [0][2]

Symbol No.	Part No.	Part Name	Description	Local
IC661	PT6523LQ-L	LCD DRIVER		
IC681	RPM7338-V4	RM.RECEIVER		
Q670	2SA1365/F-X	TRANSISTOR		
Q671	RT1N141C-X	DIGI TRANSISTOR		
D630	SML-310LT/MN/-X	LED		
D631	SML-310VT/JK/-X	LED		
D633	SML-310VT/JK/-X	LED		
D635	SML-310VT/JK/-X	LED		
D636	SML-310VT/JK/-X	LED		
D637	SML-310VT/JK/-X	LED		
D638	SML-310VT/JK/-X	LED		
D639	SML-310VT/JK/-X	LED		
D640	SML-310VT/JK/-X	LED		
D641	SML-310VT/JK/-X	LED		
D642	SML-310VT/JK/-X	LED		
D643	SML-310VT/JK/-X	LED		
D644	SML-310VT/JK/-X	LED		
D645	SML-310VT/JK/-X	LED		
D646	SML-310VT/JK/-X	LED		
D647	SML-310VT/JK/-X	LED		
D648	SML-310VT/JK/-X	LED		
D649	SML-310VT/JK/-X	LED		
D652	NSPW310BS/BRST/	WHITE LED		
D653	NSPW310BS/BRST/	WHITE LED		
D661	1SS355W-X	DIODE C.M		
D662	UDZW5.1B-X	SI DIODE		
D681	UDZW6.2B-X	SI DIODE		
C661	NBE20JM-106X	TA E CAPACITOR	10uF 6.3V M	
C662	NDC31HJ-681X	C CAPACITOR	680pF 50V J	
C663	NCB31HK-223X	C CAPACITOR	0.022uF 50V K	
C681	NBE20JM-475X	TA E CAPACITOR	4.7uF 6.3V M	
C682	NCB31HK-123X	C CAPACITOR	0.012uF 50V K	
C686	NCB31HK-223X	C CAPACITOR	0.022uF 50V K	
C687	NCB31HK-223X	C CAPACITOR	0.022uF 50V K	
R601	NRSA63J-821X	MG RESISTOR	820Ω 1/16W J	
R602	NRSA63J-821X	MG RESISTOR	820Ω 1/16W J	
R603	NRSA63J-122X	MG RESISTOR	1.2kΩ 1/16W J	
R604	NRSA63J-182X	MG RESISTOR	1.8kΩ 1/16W J	
R605	NRSA63J-272X	MG RESISTOR	2.7kΩ 1/16W J	
R606	NRSA63J-821X	MG RESISTOR	820Ω 1/16W J	
R607	NRSA63J-821X	MG RESISTOR	820Ω 1/16W J	
R608	NRSA63J-122X	MG RESISTOR	1.2kΩ 1/16W J	
R609	NRSA63J-182X	MG RESISTOR	1.8kΩ 1/16W J	
R610	NRSA63J-272X	MG RESISTOR	2.7kΩ 1/16W J	
R611	NRSA63J-821X	MG RESISTOR	820Ω 1/16W J	
R612	NRSA63J-821X	MG RESISTOR	820Ω 1/16W J	
R613	NRSA63J-122X	MG RESISTOR	1.2kΩ 1/16W J	
R630	NRSA63J-821X	MG RESISTOR	820Ω 1/16W J	
R631	NRSA63J-471X	MG RESISTOR	470Ω 1/16W J	
R633	NRSA63J-471X	MG RESISTOR	470Ω 1/16W J	
R637	NRSA63J-331X	MG RESISTOR	330Ω 1/16W J	
R639	NRSA63J-331X	MG RESISTOR	330Ω 1/16W J	
R641	NRSA63J-331X	MG RESISTOR	330Ω 1/16W J	
R643	NRSA63J-471X	MG RESISTOR	470Ω 1/16W J	
R645	NRSA63J-471X	MG RESISTOR	470Ω 1/16W J	
R649	NRS181J-391X	MG RESISTOR	390Ω 1/8W J	
R650	NRS181J-391X	MG RESISTOR	390Ω 1/8W J	
R661	NRSA63J-222X	MG RESISTOR	2.2kΩ 1/16W J	
R662	NRSA63J-222X	MG RESISTOR	2.2kΩ 1/16W J	
R663	NRSA63J-184X	MG RESISTOR	180kΩ 1/16W J	
R664	NRSA63J-103X	MG RESISTOR	10kΩ 1/16W J	
R665	NRSA63J-513X	MG RESISTOR	51kΩ 1/16W J	
R666	NRSA63J-103X	MG RESISTOR	10kΩ 1/16W J	
R667	NRSA63J-103X	MG RESISTOR	10kΩ 1/16W J	
R668	NRSA63J-103X	MG RESISTOR	10kΩ 1/16W J	
R670	NRS181J-471X	MG RESISTOR	470Ω 1/8W J	

△ Symbol No.	Part No.	Part Name	Description	Local
R671	NRSA63J-473X	MG RESISTOR	47kΩ 1/16W J	
R672	NRS181J-102X	MG RESISTOR	1kΩ 1/8W J	
R681	NRSA63J-471X	MG RESISTOR	470Ω 1/16W J	
R682	NRSA63J-103X	MG RESISTOR	10kΩ 1/16W J	
R686	NRSA63J-101X	MG RESISTOR	100Ω 1/16W J	
R687	NRSA63J-473X	MG RESISTOR	47kΩ 1/16W J	
R688	NRSA63J-473X	MG RESISTOR	47kΩ 1/16W J	
CJ601	QGZ1601K1-15S	CONNECTOR	(1-15)	
JS686	QSW0976-001	ROTARY ENCODER		
S601	NSW0124-001X	TACT SW		
S602	NSW0124-001X	TACT SW		
S603	NSW0124-001X	TACT SW		
S604	NSW0124-001X	TACT SW		
S605	NSW0124-001X	TACT SW		
S606	NSW0124-001X	TACT SW		
S607	NSW0124-001X	TACT SW		
S608	NSW0124-001X	TACT SW		
S609	NSW0124-001X	TACT SW		
S610	NSW0124-001X	TACT SW		
S611	NSW0124-001X	TACT SW		
S612	NSW0124-001X	TACT SW		
S613	NSW0124-001X	TACT SW		
S614	NSW0124-001X	TACT SW		
S615	NSW0124-001X	TACT SW		
S616	NSW0124-001X	TACT SW		

Function board (KD-AR270,G220_J,G323,G324_UI, G325,326_U,UN,UT,UH)

Block No. [0][3]

△ Symbol No.	Part No.	Part Name	Description	Local
△ IC501	LA6242H-X	IC		
Q501	2SA1705/ST-T	TRANSISTOR		
C501	QEKJ0JM-227Z	E CAPACITOR	220uF 6.3V M	
C503	QEKJ1AM-227Z	E CAPACITOR	220uF 10V M	
C504	NCB31EK-104X	C CAPACITOR	0.1uF 25V K	
C506	NCB31HK-103X	C CAPACITOR	0.01uF 50V K	
C511	NCB31HK-222X	C CAPACITOR	2200pF 50V K	
C513	NCB31HK-682X	C CAPACITOR	6800pF 50V K	
C515	NCB31HK-122X	C CAPACITOR	1200pF 50V K	
C517	NCB31HK-182X	C CAPACITOR	1800pF 50V K	
C518	NDC31HJ-680X	C CAPACITOR	68pF 50V J	
R500	NRS181J-220X	MG RESISTOR	22Ω 1/8W J	
R501	NRSA63J-822X	MG RESISTOR	8.2kΩ 1/16W J	
R502	NRSA63J-822X	MG RESISTOR	8.2kΩ 1/16W J	
R503	NRSA63J-512X	MG RESISTOR	5.1kΩ 1/16W J	
R505	NRSA63J-113X	MG RESISTOR	11kΩ 1/16W J	
R506	NRSA63J-303X	MG RESISTOR	30kΩ 1/16W J	
R507	NRSA63J-153X	MG RESISTOR	15kΩ 1/16W J	
R508	NRSA63J-332X	MG RESISTOR	3.3kΩ 1/16W J	
R509	NRSA63J-104X	MG RESISTOR	100kΩ 1/16W J	
R510	NRSA63J-273X	MG RESISTOR	27kΩ 1/16W J	
R511	NRSA63J-153X	MG RESISTOR	15kΩ 1/16W J	
R512	NRSA63J-562X	MG RESISTOR	5.6kΩ 1/16W J	
R513	NRSA63J-103X	MG RESISTOR	10kΩ 1/16W J	
R514	NRSA63J-562X	MG RESISTOR	5.6kΩ 1/16W J	
R515	NRSA63J-153X	MG RESISTOR	15kΩ 1/16W J	
R516	NRSA63J-102X	MG RESISTOR	1kΩ 1/16W J	
R517	NRSA63J-153X	MG RESISTOR	15kΩ 1/16W J	
R518	NRSA63J-562X	MG RESISTOR	5.6kΩ 1/16W J	
R519	NRSA63J-473X	MG RESISTOR	47kΩ 1/16W J	
R520	NRS181J-220X	MG RESISTOR	22Ω 1/8W J	
R568	NRSA63J-752X	MG RESISTOR	7.5kΩ 1/16W J	
R569	NRSA63J-113X	MG RESISTOR	11kΩ 1/16W J	
CN502	QGZ2512M1-10	CONNECTOR	(1-10)	

△ Symbol No.	Part No.	Part Name	Description	Local
CN503	QGZ2512M1-08	CONNECTOR	(1-8)	

Main board(KD-G227_EE)

Block No. [0][4]

△ Symbol No.	Part No.	Part Name	Description	Local
IC161	TDA7419-X	IC		
△ IC301	LA4743K	POWER IC		
△ IC521	MN6627945EE	IC		
IC523	SN74LVC2G07V-X	LOGIC IC		
IC581	NJM4565E-X	IC		
△ IC701	LC723783-9D14	IC		
△ IC901	AN80T71	REGULATOR IC		
IC981	NJU772F15-X	IC		
Q1	RT1N141C-X	DIGI TRANSISTOR		
Q2	RT1N141C-X	DIGI TRANSISTOR		
Q4	RT1N141C-X	DIGI TRANSISTOR		
Q5	2SA1365F/-X	TRANSISTOR		
Q6	2SA1530A/QR/-X	TRANSISTOR		
Q31	2SC3928A/QR/-X	TRANSISTOR		
Q32	2SC3928A/QR/-X	TRANSISTOR		
Q301	2SC3928A/QR/-X	TRANSISTOR		
Q341	KTD1304-X	TRANSISTOR		
Q351	KTD1304-X	TRANSISTOR		
Q521	2SA1530A/QR/-X	TRANSISTOR		
Q781	RT1P141C-X	DIGI TRANSISTOR		
Q782	RT1P141C-X	DIGI TRANSISTOR		
Q783	RT1P141C-X	DIGI TRANSISTOR		
Q902	2SC3928A/QR/-X	TRANSISTOR		
Q903	2SA1530A/QR/-X	TRANSISTOR		
D1	1SS355W-X	DIODE C.M		
D2	1SS355W-X	DIODE C.M		
D3	1SS355W-X	DIODE C.M		
D4	1SS355W-X	DIODE C.M		
D301	UDZW3.3B-X	SI DIODE		
D341	1SS355W-X	DIODE C.M		
D351	1SS355W-X	DIODE C.M		
D501	1A3G-T1	SI DIODE		
D703	1SS355W-X	DIODE C.M		
D706	1SS355W-X	DIODE C.M		
D711	UDZW6.2B-X	SI DIODE		
D712	UDZW6.2B-X	SI DIODE		
D713	UDZW6.2B-X	SI DIODE		
D714	UDZW6.2B-X	SI DIODE		
D715	UDZW6.2B-X	SI DIODE		
D716	UDZW6.2B-X	SI DIODE		
D717	UDZW6.2B-X	SI DIODE		
D718	UDZW6.2B-X	SI DIODE		
D719	UDZW6.2B-X	SI DIODE		
D720	UDZW6.2B-X	SI DIODE		
D721	UDZW6.2B-X	SI DIODE		
D781	1SS355W-X	DIODE C.M		
D782	UDZW10B-X	Z DIODE		
D783	1SS355W-X	DIODE C.M		
D784	1SS355W-X	DIODE C.M		
△ D901	1N5401-F64	DIODE		
D903	1SS355W-X	DIODE C.M		
D904	CRS03-W	SB DIODE		
D905	CRS03-W	SB DIODE		
C1	NDC31HJ-221X	C CAPACITOR	220pF 50V J	
C2	QEKJ1CM-476Z	E CAPACITOR	47uF 16V M	
C3	QEKJ1HM-104Z	E CAPACITOR	0.1uF 50V M	
C4	NCB31EK-223X	C CAPACITOR	0.022uF 25V K	
C6	NCB31HK-103X	C CAPACITOR	0.01uF 50V K	
C7	QEKJ1HM-104Z	E CAPACITOR	0.1uF 50V M	
C8	NDC31HJ-121X	C CAPACITOR	120pF 50V J	
C9	QEKJ1AM-227Z	E CAPACITOR	220uF 10V M	
C10	QEKJ1HM-104Z	E CAPACITOR	0.1uF 50V M	
C11	NCB31HK-103X	C CAPACITOR	0.01uF 50V K	
C31	QEKJ1AM-227Z	E CAPACITOR	220uF 10V M	

△ Symbol No.	Part No.	Part Name	Description	Local	△ Symbol No.	Part No.	Part Name	Description	Local
C32	NCB31HK-102X	C CAPACITOR	1000pF 50V K		C589	QTE0J57-476Z	E CAPACITOR	47uF 6.3V	
C33	QTE1H57-225Z	E CAPACITOR	2.2uF 50V		C590	QTE0J57-476Z	E CAPACITOR	47uF 6.3V	
C81	NCB31EK-123X	C CAPACITOR	0.012uF 25V K		C591	QTE1C57-107Z	E CAPACITOR	100uF 16V	
C82	NCB31HK-562X	C CAPACITOR	5600pF 50V K		C592	NCB31EK-104X	C CAPACITOR	0.1uF 25V K	
C83	QTE1H57-105Z	E CAPACITOR	1uF 50V		C701	QEKJ0JM-227Z	E CAPACITOR	220uF 6.3V M	
C91	NCB31EK-123X	C CAPACITOR	0.012uF 25V K		C702	NCB31HK-103X	C CAPACITOR	0.01uF 50V K	
C92	NCB31HK-562X	C CAPACITOR	5600pF 50V K		C703	NDC31HJ-220X	C CAPACITOR	22pF 50V J	
C93	QTE1H57-105Z	E CAPACITOR	1uF 50V		C704	NDC31HJ-270X	C CAPACITOR	27pF 50V J	
C96	NCB31HK-103X	C CAPACITOR	0.01uF 50V K		C705	QEKJ1CM-106Z	E CAPACITOR	10uF 16V M	
C98	NCB31HK-103X	C CAPACITOR	0.01uF 50V K		C711	NCB31EK-104X	C CAPACITOR	0.1uF 25V K	
C163	NCB21CK-474X	C CAPACITOR	0.47uF 16V K		C713	NCB31EK-104X	C CAPACITOR	0.1uF 25V K	
C164	NCB21CK-474X	C CAPACITOR	0.47uF 16V K		C715	NCB31EK-104X	C CAPACITOR	0.1uF 25V K	
C165	QEKJ1EM-475Z	E CAPACITOR	4.7uF 25V M		C716	NCB31EK-104X	C CAPACITOR	0.1uF 25V K	
C166	QEKJ1EM-475Z	E CAPACITOR	4.7uF 25V M		C781	QEKJ0JM-227Z	E CAPACITOR	220uF 6.3V M	
C168	QFV91HJ-474Z	MF CAPACITOR	0.47uF 50V J		C782	QEKJ1CM-476Z	E CAPACITOR	47uF 16V M	
C169	QFV91HJ-474Z	MF CAPACITOR	0.47uF 50V J		C783	NCB31EK-823X	C CAPACITOR	0.082uF 25V K	
C175	QEKJ1EM-475Z	E CAPACITOR	4.7uF 25V M		C901	QEZ0645-228	E CAPACITOR	2200uF	
C176	QEKJ1EM-475Z	E CAPACITOR	4.7uF 25V M		C902	NCB31HK-103X	C CAPACITOR	0.01uF 50V K	
C178	QFV91HJ-474Z	MF CAPACITOR	0.47uF 50V J		C903	QEKJ1CM-226Z	E CAPACITOR	22uF 16V M	
C179	QFV91HJ-474Z	MF CAPACITOR	0.47uF 50V J		C904	QEKJ1CM-226Z	E CAPACITOR	22uF 16V M	
C183	QTE1H54-225Z	E CAPACITOR	2.2uF 50V		C905	QEKJ1CM-226Z	E CAPACITOR	22uF 16V M	
C184	QTE1H54-225Z	E CAPACITOR	2.2uF 50V		C906	NCB31EK-104X	C CAPACITOR	0.1uF 25V K	
C191	QTE1A57-107Z	E CAPACITOR	100uF 10V		C907	NCB31HK-103X	C CAPACITOR	0.01uF 50V K	
C192	NCB31HK-103X	C CAPACITOR	0.01uF 50V K		C908	QEKJ1AM-107Z	E CAPACITOR	100uF 10V M	
C194	QTE1C57-106Z	E CAPACITOR	10uF 16V		C909	QEKJ1AM-107Z	E CAPACITOR	100uF 10V M	
C301	QEKJ1HM-335Z	E CAPACITOR	3.3uF 50V M		C910	NCB31HK-103X	C CAPACITOR	0.01uF 50V K	
C302	QEKJ1EM-475Z	E CAPACITOR	4.7uF 25V M		C911	QEKJ1AM-227Z	E CAPACITOR	220uF 10V M	
C303	NCB31HK-223X	C CAPACITOR	0.022uF 50V K		C914	NCB31EK-104X	C CAPACITOR	0.1uF 25V K	
C304	NCB31HK-223X	C CAPACITOR	0.022uF 50V K		C915	QEKJ1CM-107Z	E CAPACITOR	100uF 16V M	
C305	NCB31EK-104X	C CAPACITOR	0.1uF 25V K		C916	QEKJ1HM-225Z	E CAPACITOR	2.2uF 50V M	
C306	NCB31EK-104X	C CAPACITOR	0.1uF 25V K		C982	NCB31EK-104X	C CAPACITOR	0.1uF 25V K	
C307	NCB31EK-104X	C CAPACITOR	0.1uF 25V K		C983	QEKJ0JM-107Z	E CAPACITOR	100uF 6.3V M	
C308	NCB31EK-104X	C CAPACITOR	0.1uF 25V K		C984	NCB31EK-104X	C CAPACITOR	0.1uF 25V K	
C310	QTE1C57-476Z	E CAPACITOR	47uF 16V		R1	NRSA63J-101X	MG RESISTOR	100Ω 1/16W J	
C311	QEKJ1CM-226Z	E CAPACITOR	22uF 16V M		R2	NRSA63J-103X	MG RESISTOR	10kΩ 1/16W J	
C312	NDC31HJ-101X	C CAPACITOR	100pF 50V J		R3	NRSA02J-100X	MG RESISTOR	10Ω 1/10W J	
C313	NDC31HJ-101X	C CAPACITOR	100pF 50V J		R4	NRSA63J-103X	MG RESISTOR	10kΩ 1/16W J	
C314	NDC31HJ-101X	C CAPACITOR	100pF 50V J		R5	NRSA63J-223X	MG RESISTOR	22kΩ 1/16W J	
C315	NDC31HJ-101X	C CAPACITOR	100pF 50V J		R6	NRSA63J-822X	MG RESISTOR	8.2kΩ 1/16W J	
C323	NCB31HK-103X	C CAPACITOR	0.01uF 50V K		R9	NRSA02J-220X	MG RESISTOR	22Ω 1/10W J	
C341	NDC31HJ-101X	C CAPACITOR	100pF 50V J		R10	NRSA02J-220X	MG RESISTOR	22Ω 1/10W J	
C351	NDC31HJ-101X	C CAPACITOR	100pF 50V J		R11	NRSA63J-103X	MG RESISTOR	10kΩ 1/16W J	
C522	NCB31CK-224X	C CAPACITOR	0.22uF 16V K		R12	NRSA63J-102X	MG RESISTOR	1kΩ 1/16W J	
C523	NDC31HJ-101X	C CAPACITOR	100pF 50V J		R13	NRSA63J-103X	MG RESISTOR	10kΩ 1/16W J	
C524	NDC31HJ-561X	C CAPACITOR	560pF 50V J		R14	NRSA63J-222X	MG RESISTOR	2.2kΩ 1/16W J	
C525	NCB31HK-223X	C CAPACITOR	0.022uF 50V K		R16	NRSA63J-0R0X	MG RESISTOR	0Ω 1/16W J	
C526	NCB31HK-223X	C CAPACITOR	0.022uF 50V K		R31	NRS181J-102X	MG RESISTOR	1kΩ 1/8W J	
C527	NCB31EK-332X	C CAPACITOR	3300pF 25V K		R32	NRSA63J-102X	MG RESISTOR	1kΩ 1/16W J	
C528	NDC31HJ-181X	C CAPACITOR	180pF 50V J		R33	NRSA63J-152X	MG RESISTOR	1.5kΩ 1/16W J	
C529	NCB31HK-822X	C CAPACITOR	8200pF 50V K		R34	NRSA63J-102X	MG RESISTOR	1kΩ 1/16W J	
C530	NCB31HK-822X	C CAPACITOR	8200pF 50V K		R35	NRSA63J-103X	MG RESISTOR	10kΩ 1/16W J	
C531	NCB31AK-334X	C CAPACITOR	0.33uF 10V K		R36	NRS181J-471X	MG RESISTOR	470Ω 1/8W J	
C532	NCB31AK-334X	C CAPACITOR	0.33uF 10V K		R37	NRSA63J-0R0X	MG RESISTOR	0Ω 1/16W J	
C533	QEKJ0JM-476Z	E CAPACITOR	47uF 6.3V M		R81	NRSA63J-272X	MG RESISTOR	2.7kΩ 1/16W J	
C534	NCB31EK-104X	C CAPACITOR	0.1uF 25V K		R82	NRSA63J-912X	MG RESISTOR	9.1kΩ 1/16W J	
C535	NCB31EK-104X	C CAPACITOR	0.1uF 25V K		R91	NRSA63J-272X	MG RESISTOR	2.7kΩ 1/16W J	
C536	QEKJ0JM-476Z	E CAPACITOR	47uF 6.3V M		R92	NRSA63J-912X	MG RESISTOR	9.1kΩ 1/16W J	
C537	QEKJ0JM-476Z	E CAPACITOR	47uF 6.3V M		R162	NRSA63J-473X	MG RESISTOR	47kΩ 1/16W J	
C538	QEKJ0JM-476Z	E CAPACITOR	47uF 6.3V M		R164	NRSA63J-473X	MG RESISTOR	47kΩ 1/16W J	
C539	NCB31EK-104X	C CAPACITOR	0.1uF 25V K		R166	NRS181J-273X	MG RESISTOR	27kΩ 1/8W J	
C540	NDC31HJ-681X	C CAPACITOR	680pF 50V J		R167	NRS181J-273X	MG RESISTOR	27kΩ 1/8W J	
C541	NCB31EK-153X	C CAPACITOR	0.015uF 25V K		R172	NRSA63J-473X	MG RESISTOR	47kΩ 1/16W J	
C542	NCB31EK-104X	C CAPACITOR	0.1uF 25V K		R174	NRSA63J-473X	MG RESISTOR	47kΩ 1/16W J	
C543	NCB31HK-102X	C CAPACITOR	1000pF 50V K		R176	NRS181J-273X	MG RESISTOR	27kΩ 1/8W J	
C544	NCB31EK-823X	C CAPACITOR	0.082uF 25V K		R177	NRS181J-273X	MG RESISTOR	27kΩ 1/8W J	
C545	NCB31EK-104X	C CAPACITOR	0.1uF 25V K		R191	NRS181J-0R0X	MG RESISTOR	0Ω 1/8W J	
C546	QEKJ0JM-227Z	E CAPACITOR	220uF 6.3V M		R301	NRSA63J-152X	MG RESISTOR	1.5kΩ 1/16W J	
C547	QTE0J57-476Z	E CAPACITOR	47uF 6.3V		R302	NRS181J-473X	MG RESISTOR	47kΩ 1/8W J	
C548	QTE0J57-476Z	E CAPACITOR	47uF 6.3V		R303	NRSA63J-102X	MG RESISTOR	1kΩ 1/16W J	
C549	NCB31EK-104X	C CAPACITOR	0.1uF 25V K		R304	NRSA63J-472X	MG RESISTOR	4.7kΩ 1/16W J	
C551	NCB31EK-104X	C CAPACITOR	0.1uF 25V K		R341	NRSA63J-821X	MG RESISTOR	820Ω 1/16W J	
C552	QEKJ0JM-476Z	E CAPACITOR	47uF 6.3V M		R342	NRSA63J-101X	MG RESISTOR	100Ω 1/16W J	
C553	NDC31HJ-821X	C CAPACITOR	820pF 50V J		R345	NRSA63J-222X	MG RESISTOR	2.2kΩ 1/16W J	
C584	NDC31HJ-821X	C CAPACITOR	820pF 50V J		R351	NRSA63J-821X	MG RESISTOR	820Ω 1/16W J	
C585	QTE1E57-475Z	E CAPACITOR	4.7uF 25V		R352	NRSA63J-101X	MG RESISTOR	100Ω 1/16W J	
C586	QTE1E57-475Z	E CAPACITOR	4.7uF 25V		R355	NRSA63J-222X	MG RESISTOR	2.2kΩ 1/16W J	
C587	NDC31HJ-151X	C CAPACITOR	150pF 50V J		R521	NRS181J-105X	MG RESISTOR	1MΩ 1/8W J	
C588	NDC31HJ-151X	C CAPACITOR	150pF 50V J						

△ Symbol No.	Part No.	Part Name	Description	Local	△ Symbol No.	Part No.	Part Name	Description	Local
R522	NRSA63J-221X	MG RESISTOR	220Ω 1/16W J		R755	NRSA63J-473X	MG RESISTOR	47kΩ 1/16W J	
R523	NRSA63J-472X	MG RESISTOR	4.7kΩ 1/16W J		R756	NRSA63J-473X	MG RESISTOR	47kΩ 1/16W J	
R524	NRS181J-222X	MG RESISTOR	2.2kΩ 1/8W J		R762	NRS181J-222X	MG RESISTOR	2.2kΩ 1/8W J	
R525	NRSA63J-102X	MG RESISTOR	1kΩ 1/16W J		R901	NRSA63J-912X	MG RESISTOR	9.1kΩ 1/16W J	
R526	NRSA63J-102X	MG RESISTOR	1kΩ 1/16W J		R902	NRS181J-102X	MG RESISTOR	1kΩ 1/8W J	
R527	NRSA63J-222X	MG RESISTOR	2.2kΩ 1/16W J		R903	NRSA63J-472X	MG RESISTOR	4.7kΩ 1/16W J	
R528	NRSA63J-222X	MG RESISTOR	2.2kΩ 1/16W J		R905	NRSA63J-102X	MG RESISTOR	1kΩ 1/16W J	
R529	NRSA63J-222X	MG RESISTOR	2.2kΩ 1/16W J		R906	NRSA63J-102X	MG RESISTOR	1kΩ 1/16W J	
R530	NRSA63J-472X	MG RESISTOR	4.7kΩ 1/16W J		R907	NRS181J-123X	MG RESISTOR	12kΩ 1/8W J	
R531	NRSA63J-472X	MG RESISTOR	4.7kΩ 1/16W J		R908	NRSA63J-273X	MG RESISTOR	27kΩ 1/16W J	
R532	NRSA63J-472X	MG RESISTOR	4.7kΩ 1/16W J		R909	NRSA63J-273X	MG RESISTOR	27kΩ 1/16W J	
R533	QRE141J-273Y	C RESISTOR	27kΩ 1/4W J		R910	NRSA63J-473X	MG RESISTOR	47kΩ 1/16W J	
R534	NRSA63J-683X	MG RESISTOR	68kΩ 1/16W J		R911	NRSA02J-222X	MG RESISTOR	2.2kΩ 1/10W J	
R535	NRSA63J-103X	MG RESISTOR	10kΩ 1/16W J		R912	NRSA02J-222X	MG RESISTOR	2.2kΩ 1/10W J	
R537	NRSA63J-155X	MG RESISTOR	1.5MΩ 1/16W J		L1	QQL244J-4R7Z	COIL	4.7uH J	
R540	NRSA63J-303X	MG RESISTOR	30kΩ 1/16W J		L701	QQL244K-4R7Z	COIL	4.7uH K	
R541	NRSA63J-393X	MG RESISTOR	39kΩ 1/16W J		L901	QQR0703-001	CHOKO COIL		
R542	NRSA63J-472X	MG RESISTOR	4.7kΩ 1/16W J		CN501	QGB2027M4-22S	CONNECTOR	B-B (1-22)	
R543	NRS181J-102X	MG RESISTOR	1kΩ 1/8W J		CN701	QGZ1601J1-15	CONNECTOR	(1-15)	
R544	NRS181J-102X	MG RESISTOR	1kΩ 1/8W J		CN901	QNZ0611-001	16P CONNECTOR		
R545	NRS181J-332X	MG RESISTOR	3.3kΩ 1/8W J		J1	QNB0190-001	CAR ANT JACK		
R548	NRSA63J-332X	MG RESISTOR	3.3kΩ 1/16W J		J321	QNN0773-001	PIN JACK		
R554	NRSA63J-4R7X	MG RESISTOR	4.7Ω 1/16W J		△ TU1	QAU0394-003	TUNER PACK		
R556	NRSA63J-473X	MG RESISTOR	47kΩ 1/16W J		X521	QAX0714-001Z	C RESONATOR	16.000MHz	
R558	NRSA63J-823X	MG RESISTOR	82kΩ 1/16W J		X701	QAX0406-001Z	CRYSTAL	4.500MHz	
R559	NRSA63J-821X	MG RESISTOR	820Ω 1/16W J						
R561	NRSA63J-102X	MG RESISTOR	1kΩ 1/16W J						
R562	NRSA63J-102X	MG RESISTOR	1kΩ 1/16W J						
R565	NRSA63J-151X	MG RESISTOR	150Ω 1/16W J						
R583	NRSA63J-153X	MG RESISTOR	15kΩ 1/16W J						
R584	NRSA63J-153X	MG RESISTOR	15kΩ 1/16W J						
R585	NRSA63J-562X	MG RESISTOR	5.6kΩ 1/16W J						
R586	NRSA63J-562X	MG RESISTOR	5.6kΩ 1/16W J						
R587	NRSA63J-273X	MG RESISTOR	27kΩ 1/16W J						
R588	NRSA63J-273X	MG RESISTOR	27kΩ 1/16W J						
R589	NRS181J-0R0X	MG RESISTOR	0Ω 1/8W J						
R590	NRSA63J-0R0X	MG RESISTOR	0Ω 1/16W J						
R591	NRSA63J-223X	MG RESISTOR	22kΩ 1/16W J						
R592	NRSA63J-223X	MG RESISTOR	22kΩ 1/16W J						
R593	NRSA63J-223X	MG RESISTOR	22kΩ 1/16W J						
R594	NRSA63J-223X	MG RESISTOR	22kΩ 1/16W J						
R701	NRSA63J-332X	MG RESISTOR	3.3kΩ 1/16W J						
R705	NRS181J-103X	MG RESISTOR	10kΩ 1/8W J						
R706	NRSA63J-103X	MG RESISTOR	10kΩ 1/16W J						
R707	NRSA63J-473X	MG RESISTOR	47kΩ 1/16W J						
R708	NRSA63J-332X	MG RESISTOR	3.3kΩ 1/16W J						
R709	NRSA63J-332X	MG RESISTOR	3.3kΩ 1/16W J						
R710	NRS181J-473X	MG RESISTOR	47kΩ 1/8W J						
R711	QRE141J-103Y	C RESISTOR	10kΩ 1/4W J						
R712	NRSA02J-472X	MG RESISTOR	4.7kΩ 1/10W J						
R713	NRSA02J-472X	MG RESISTOR	4.7kΩ 1/10W J						
R715	NRSA63J-473X	MG RESISTOR	47kΩ 1/16W J						
R716	NRSA63J-473X	MG RESISTOR	47kΩ 1/16W J						
R717	NRSA63J-473X	MG RESISTOR	47kΩ 1/16W J						
R718	NRSA63J-103X	MG RESISTOR	10kΩ 1/16W J						
R719	NRSA63J-0R0X	MG RESISTOR	0Ω 1/16W J						
R727	NRSA63J-472X	MG RESISTOR	4.7kΩ 1/16W J						
R729	NRSA63J-473X	MG RESISTOR	47kΩ 1/16W J						
R730	NRSA63J-103X	MG RESISTOR	10kΩ 1/16W J						
R731	NRSA63J-103X	MG RESISTOR	10kΩ 1/16W J						
R732	NRSA63J-102X	MG RESISTOR	1kΩ 1/16W J						
R733	NRSA63J-473X	MG RESISTOR	47kΩ 1/16W J						
R735	NRSA63J-472X	MG RESISTOR	4.7kΩ 1/16W J						
R736	NRSA63J-103X	MG RESISTOR	10kΩ 1/16W J						
R737	NRSA63J-472X	MG RESISTOR	4.7kΩ 1/16W J						
R738	NRSA63J-472X	MG RESISTOR	4.7kΩ 1/16W J						
R739	NRSA63J-103X	MG RESISTOR	10kΩ 1/16W J						
R740	NRSA63J-103X	MG RESISTOR	10kΩ 1/16W J						
R741	NRSA63J-473X	MG RESISTOR	47kΩ 1/16W J						
R742	NRS181J-512X	MG RESISTOR	5.1kΩ 1/8W J						
R743	NRS181J-473X	MG RESISTOR	47kΩ 1/8W J						
R745	NRSA63J-473X	MG RESISTOR	47kΩ 1/16W J						
R748	NRSA63J-473X	MG RESISTOR	47kΩ 1/16W J						
R749	NRSA63J-473X	MG RESISTOR	47kΩ 1/16W J						
R751	NRSA63J-103X	MG RESISTOR	10kΩ 1/16W J						
R752	NRS181J-103X	MG RESISTOR	10kΩ 1/8W J						
R753	NRSA63J-103X	MG RESISTOR	10kΩ 1/16W J						
R754	NRS181J-103X	MG RESISTOR	10kΩ 1/8W J						

Switch board(KD-G227_EE)

Block No. [0][5]

△ Symbol No.	Part No.	Part Name	Description	Local
IC661	PT6523LQ-L	LCD DRIVER		
IC681	RPM7338-V4	RM.RECEIVER		
Q670	2SA1365/F-X	TRANSISTOR		
Q671	RT1N141C-X	DIGI TRANSISTOR		
D630	SML-310LT/MN/-X	LED		
D631	LNJ308G81/1-3/X	LED		
D632	LNJ308G81/1-3/X	LED		
D634	LNJ308G81/1-3/X	LED		
D635	LNJ308G81/1-3/X	LED		
D636	LNJ308G81/1-3/X	LED		
D637	LNJ308G81/1-3/X	LED		
D638	LNJ308G81/1-3/X	LED		
D639	LNJ308G81/1-3/X	LED		
D640	LNJ308G81/1-3/X	LED		
D641	LNJ308G81/1-3/X	LED		
D642	LNJ308G81/1-3/X	LED		
D643	LNJ308G81/1-3/X	LED		
D644	LNJ308G81/1-3/X	LED		
D645	LNJ308G81/1-3/X	LED		
D646	LNJ308G81/1-3/X	LED		
D647	LNJ308G81/1-3/X	LED		
D648	LNJ308G81/1-3/X	LED		
D649	LNJ308G81/1-3/X	LED		
D652	NSPW310BS/BRST/	WHITE LED		
D653	NSPW310BS/BRST/	WHITE LED		
D661	1SS355W-X	DIODE C.M		
D662	UDZW5.1B-X	SI DIODE		
D681	UDZW6.2B-X	SI DIODE		
C661	NBE20JM-106X	TA E CAPACITOR	10uF 6.3V M	
C662	NDC31HJ-681X	C CAPACITOR	680pF 50V J	
C663	NCB31HK-223X	C CAPACITOR	0.022uF 50V K	
C681	NBE20JM-475X	TA E CAPACITOR	4.7uF 6.3V M	
C682	NCB31HK-123X	C CAPACITOR	0.012uF 50V K	
C686	NCB31HK-223X	C CAPACITOR	0.022uF 50V K	
C687	NCB31HK-223X	C CAPACITOR	0.022uF 50V K	
R601	NRSA63J-821X	MG RESISTOR	820Ω 1/16W J	
R602	NRSA63J-821X	MG RESISTOR	820Ω 1/16W J	

△ Symbol No.	Part No.	Part Name	Description	Local
R603	NRSA63J-122X	MG RESISTOR	1.2kΩ 1/16W J	
R604	NRSA63J-182X	MG RESISTOR	1.8kΩ 1/16W J	
R605	NRSA63J-272X	MG RESISTOR	2.7kΩ 1/16W J	
R606	NRSA63J-821X	MG RESISTOR	820Ω 1/16W J	
R607	NRSA63J-821X	MG RESISTOR	820Ω 1/16W J	
R608	NRSA63J-122X	MG RESISTOR	1.2kΩ 1/16W J	
R609	NRSA63J-182X	MG RESISTOR	1.8kΩ 1/16W J	
R610	NRSA63J-272X	MG RESISTOR	2.7kΩ 1/16W J	
R611	NRSA63J-821X	MG RESISTOR	820Ω 1/16W J	
R612	NRSA63J-821X	MG RESISTOR	820Ω 1/16W J	
R613	NRSA63J-122X	MG RESISTOR	1.2kΩ 1/16W J	
R630	NRSA63J-821X	MG RESISTOR	820Ω 1/16W J	
R631	NRSA63J-471X	MG RESISTOR	470Ω 1/16W J	
R633	NRSA63J-122X	MG RESISTOR	1.2kΩ 1/16W J	
R634	NRSA63J-152X	MG RESISTOR	1.5kΩ 1/16W J	
R635	NRSA63J-561X	MG RESISTOR	560Ω 1/16W J	
R637	NRSA63J-331X	MG RESISTOR	330Ω 1/16W J	
R639	NRSA63J-331X	MG RESISTOR	330Ω 1/16W J	
R641	NRSA63J-331X	MG RESISTOR	330Ω 1/16W J	
R643	NRSA63J-471X	MG RESISTOR	470Ω 1/16W J	
R645	NRSA63J-471X	MG RESISTOR	470Ω 1/16W J	
R649	NRS181J-391X	MG RESISTOR	390Ω 1/8W J	
R650	NRS181J-391X	MG RESISTOR	390Ω 1/8W J	
R661	NRSA63J-222X	MG RESISTOR	2.2kΩ 1/16W J	
R662	NRSA63J-222X	MG RESISTOR	2.2kΩ 1/16W J	
R663	NRSA63J-184X	MG RESISTOR	180kΩ 1/16W J	
R664	NRSA63J-103X	MG RESISTOR	10kΩ 1/16W J	
R665	NRSA63J-513X	MG RESISTOR	51kΩ 1/16W J	
R666	NRSA63J-103X	MG RESISTOR	10kΩ 1/16W J	
R667	NRSA63J-103X	MG RESISTOR	10kΩ 1/16W J	
R668	NRSA63J-103X	MG RESISTOR	10kΩ 1/16W J	
R670	NRS181J-471X	MG RESISTOR	470Ω 1/8W J	
R671	NRSA63J-473X	MG RESISTOR	47kΩ 1/16W J	
R672	NRS181J-102X	MG RESISTOR	1kΩ 1/8W J	
R681	NRSA63J-471X	MG RESISTOR	470Ω 1/16W J	
R682	NRSA63J-103X	MG RESISTOR	10kΩ 1/16W J	
R686	NRSA63J-101X	MG RESISTOR	100Ω 1/16W J	
R687	NRSA63J-473X	MG RESISTOR	47kΩ 1/16W J	
R688	NRSA63J-473X	MG RESISTOR	47kΩ 1/16W J	

△ Symbol No.	Part No.	Part Name	Description	Local
C513	NCB31HK-682X	C CAPACITOR	6800pF 50V K	
C515	NCB31HK-122X	C CAPACITOR	1200pF 50V K	
C517	NCB31HK-182X	C CAPACITOR	1800pF 50V K	
C518	NDC31HJ-680X	C CAPACITOR	68pF 50V J	
R500	NRS181J-220X	MG RESISTOR	22Ω 1/8W J	
R501	NRSA63J-822X	MG RESISTOR	8.2kΩ 1/16W J	
R502	NRSA63J-822X	MG RESISTOR	8.2kΩ 1/16W J	
R503	NRSA63J-512X	MG RESISTOR	5.1kΩ 1/16W J	
R505	NRSA63J-113X	MG RESISTOR	11kΩ 1/16W J	
R506	NRSA63J-303X	MG RESISTOR	30kΩ 1/16W J	
R507	NRSA63J-153X	MG RESISTOR	15kΩ 1/16W J	
R508	NRSA63J-332X	MG RESISTOR	3.3kΩ 1/16W J	
R509	NRSA63J-104X	MG RESISTOR	100kΩ 1/16W J	
R510	NRSA63J-273X	MG RESISTOR	27kΩ 1/16W J	
R511	NRSA63J-153X	MG RESISTOR	15kΩ 1/16W J	
R512	NRSA63J-562X	MG RESISTOR	5.6kΩ 1/16W J	
R513	NRSA63J-103X	MG RESISTOR	10kΩ 1/16W J	
R514	NRSA63J-562X	MG RESISTOR	5.6kΩ 1/16W J	
R515	NRSA63J-153X	MG RESISTOR	15kΩ 1/16W J	
R516	NRSA63J-102X	MG RESISTOR	1kΩ 1/16W J	
R517	NRSA63J-153X	MG RESISTOR	15kΩ 1/16W J	
R518	NRSA63J-562X	MG RESISTOR	5.6kΩ 1/16W J	
R519	NRSA63J-473X	MG RESISTOR	47kΩ 1/16W J	
R520	NRS181J-220X	MG RESISTOR	22Ω 1/8W J	
R568	NRSA63J-752X	MG RESISTOR	7.5kΩ 1/16W J	
R569	NRSA63J-113X	MG RESISTOR	11kΩ 1/16W J	
CN502	QGZ2512M1-10	CONNECTOR	(1-10)	
CN503	QGZ2512M1-08	CONNECTOR	(1-8)	

Main board (KD-G321,G322_E,EX,EY,EU)

Block No. [0][7]

△ Symbol No.	Part No.	Part Name	Description	Local
IC71	LC72725NM-X	IC		
IC171	NJW1192V-X	IC		
△ IC301	LA47201	POWER AMP IC		
△ IC521	MN6627945EE	IC		
IC523	SN74LVC2G07V-X	LOGIC IC		
IC581	NJM4565E-X	IC		
△ IC701	MN101C49KST	IC		
IC771	BR24L16F-W-X	IC		
IC775	S-80833CNNB-G-W	IC		
△ IC901	AN80T71	REGULATOR IC		
IC981	NJU7772F15-X	IC		
Q74	RT1N141C-X	DIGI TRANSISTOR		
Q301	2SC3928A/QR/-X	TRANSISTOR		
Q341	KTD1304-X	TRANSISTOR		
Q351	KTD1304-X	TRANSISTOR		
Q521	2SA1530A/QR/-X	TRANSISTOR		
Q781	RT1P141C-X	DIGI TRANSISTOR		
Q782	RT1P141C-X	DIGI TRANSISTOR		
Q891	RT1N141C-X	DIGI TRANSISTOR		
Q911	2SA1530A/QR/-X	TRANSISTOR		
Q912	RT1N141C-X	DIGI TRANSISTOR		

CJ601	QGZ1601K1-15S	CONNECTOR	(1-15)	
JS686	QSW0976-001	ROTARY ENCODER		
S601	NSW0124-001X	TACT SW		
S602	NSW0124-001X	TACT SW		
S603	NSW0124-001X	TACT SW		
S604	NSW0124-001X	TACT SW		
S605	NSW0124-001X	TACT SW		
S606	NSW0124-001X	TACT SW		
S607	NSW0124-001X	TACT SW		
S608	NSW0124-001X	TACT SW		
S609	NSW0124-001X	TACT SW		
S610	NSW0124-001X	TACT SW		
S611	NSW0124-001X	TACT SW		
S612	NSW0124-001X	TACT SW		
S613	NSW0124-001X	TACT SW		
S614	NSW0124-001X	TACT SW		
S615	NSW0124-001X	TACT SW		
S616	NSW0124-001X	TACT SW		

Function board(KD-G227_EE)

Block No. [0][6]

△ Symbol No.	Part No.	Part Name	Description	Local
△ IC501	LA6242H-X	IC		
Q501	2SA1705/ST/-T	TRANSISTOR		
C501	QEKJ0JM-227Z	E CAPACITOR	220uF 6.3V M	
C503	QEKJ1AM-227Z	E CAPACITOR	220uF 10V M	
C504	NCB31EK-104X	C CAPACITOR	0.1uF 25V K	
C506	NCB31HK-103X	C CAPACITOR	0.01uF 50V K	
C511	NCB31HK-222X	C CAPACITOR	2200pF 50V K	

D1	1SS355W-X	DIODE C.M		
D2	1SS355W-X	DIODE C.M		
D301	UDZS3.3B-X	Z DIODE		
D341	1SS355W-X	DIODE C.M		
D351	1SS355W-X	DIODE C.M		
D501	1A3G-T1	SI DIODE		
D711	UDZW6.2B-X	SI DIODE		
D712	UDZW6.2B-X	SI DIODE		
D713	UDZW6.2B-X	SI DIODE		
D714	UDZW6.2B-X	SI DIODE		
D715	UDZW6.2B-X	SI DIODE		
D716	UDZW6.2B-X	SI DIODE		
D717	UDZW6.2B-X	SI DIODE		

△ Symbol No.	Part No.	Part Name	Description	Local	△ Symbol No.	Part No.	Part Name	Description	Local
D718	UDZW6.2B-X	SI DIODE			C523	NDC31HJ-101X	C CAPACITOR	100pF 50V J	
D719	UDZW6.2B-X	SI DIODE			C524	NDC31HJ-561X	C CAPACITOR	560pF 50V J	
D720	UDZW6.2B-X	SI DIODE			C525	NCB31HK-223X	C CAPACITOR	0.022uF 50V K	
D721	UDZW6.2B-X	SI DIODE			C526	NCB31HK-223X	C CAPACITOR	0.022uF 50V K	
D722	UDZW6.2B-X	SI DIODE			C527	NCB31EK-332X	C CAPACITOR	3300pF 25V K	
D775	1SS355W-X	DIODE C.M			C528	NDC31HJ-181X	C CAPACITOR	180pF 50V J	
D776	UDZW5.6B-X	Z DIODE			C529	NCB31HK-822X	C CAPACITOR	8200pF 50V K	
D781	1SS355W-X	DIODE C.M			C530	NCB31HK-822X	C CAPACITOR	8200pF 50V K	
D782	UDZW11B-X	Z DIODE			C531	NCB31AK-334X	C CAPACITOR	0.33uF 10V K	
D891	1SS355W-X	DIODE C.M			C532	NCB31AK-334X	C CAPACITOR	0.33uF 10V K	
D892	1SS355W-X	DIODE C.M			C533	QEKJ0JM-476Z	E CAPACITOR	47uF 6.3V M	
△ D901	1N5401-F64	DIODE			C534	NCB31EK-332X	C CAPACITOR	3300pF 25V K	
D903	1SS355W-X	DIODE C.M			C535	NCB31EK-104X	C CAPACITOR	0.1uF 25V K	
D971	CRS03-W	SB DIODE			C536	QEKJ0JM-476Z	E CAPACITOR	47uF 6.3V M	
D972	CRS03-W	SB DIODE			C537	QEKJ0JM-476Z	E CAPACITOR	47uF 6.3V M	
					C539	NCB31EK-104X	C CAPACITOR	0.1uF 25V K	
C1	QEKJ1AM-227Z	E CAPACITOR	220uF 10V M		C540	NCS31HJ-681X	C CAPACITOR	680pF 50V J	
C2	QEKJ0JM-476Z	E CAPACITOR	47uF 6.3V M		C541	NCB31EK-153X	C CAPACITOR	0.015uF 25V K	
C3	NCB31EK-104X	C CAPACITOR	0.1uF 25V K		C542	NCB31EK-104X	C CAPACITOR	0.1uF 25V K	
C4	NCB31EK-104X	C CAPACITOR	0.1uF 25V K		C543	NCB31HK-102X	C CAPACITOR	1000pF 50V K	
C5	NCB31EK-104X	C CAPACITOR	0.1uF 25V K		C544	NCB31EK-823X	C CAPACITOR	0.082uF 25V K	
C8	NCB31EK-104X	C CAPACITOR	0.1uF 25V K		C545	NCB31EK-104X	C CAPACITOR	0.1uF 25V K	
C71	NDC31HJ-561X	C CAPACITOR	560pF 50V J		C547	QTE0J57-476Z	E CAPACITOR	47uF 6.3V	
C72	NDC31HJ-331X	C CAPACITOR	330pF 50V J		C548	QTE0J57-476Z	E CAPACITOR	47uF 6.3V	
C73	QEKJ1CM-106Z	E CAPACITOR	10uF 16V M		C549	NCB31EK-104X	C CAPACITOR	0.1uF 25V K	
C74	NDC31HJ-330X	C CAPACITOR	33pF 50V J		C551	NCB31EK-104X	C CAPACITOR	0.1uF 25V K	
C75	NDC31HJ-330X	C CAPACITOR	33pF 50V J		C552	QEKJ0JM-476Z	E CAPACITOR	47uF 6.3V M	
C76	NCB31HK-103X	C CAPACITOR	0.01uF 50V K		C583	NDC31HJ-821X	C CAPACITOR	820pF 50V J	
C77	QEKJ0JM-476Z	E CAPACITOR	47uF 6.3V M		C584	NDC31HJ-821X	C CAPACITOR	820pF 50V J	
C78	NCB31HK-103X	C CAPACITOR	0.01uF 50V K		C585	QTE1H54-225Z	E CAPACITOR	2.2uF 50V	
C82	QTE1H57-105Z	E CAPACITOR	1uF 50V		C586	QTE1H54-225Z	E CAPACITOR	2.2uF 50V	
C84	QTE1H57-105Z	E CAPACITOR	1uF 50V		C587	NDC31HJ-101X	C CAPACITOR	100pF 50V J	
C85	NCB31AK-224X	C CAPACITOR	0.22uF 10V K		C588	NDC31HJ-101X	C CAPACITOR	100pF 50V J	
C92	QTE1H57-105Z	E CAPACITOR	1uF 50V		C590	QTE0J57-476Z	E CAPACITOR	47uF 6.3V	
C94	QTE1H57-105Z	E CAPACITOR	1uF 50V		C591	QTE1A57-107Z	E CAPACITOR	100uF 10V	
C160	QTE1C57-106Z	E CAPACITOR	10uF 16V		C592	NCB31EK-104X	C CAPACITOR	0.1uF 25V K	
C163	QEKJ1CM-226Z	E CAPACITOR	22uF 16V M		C703	NDC31HJ-270X	C CAPACITOR	27pF 50V J	
C164	NCB31HK-471X	C CAPACITOR	470pF 50V K		C704	NDC31HJ-270X	C CAPACITOR	27pF 50V J	
C165	NCB31AK-154X	C CAPACITOR	0.15uF 10V K		C705	NCB31EK-104X	C CAPACITOR	0.1uF 25V K	
C166	NCB31HK-472X	C CAPACITOR	4700pF 50V K		C706	NCB31EK-104X	C CAPACITOR	0.1uF 25V K	
C167	NCB31CK-104X	C CAPACITOR	0.1uF 16V K		C707	NDC31HJ-470X	C CAPACITOR	47pF 50V J	
C168	QEKJ1EM-475Z	E CAPACITOR	4.7uF 25V M		C709	QEKJ0JM-227Z	E CAPACITOR	220uF 6.3V M	
C169	QTE1E57-475Z	E CAPACITOR	4.7uF 25V		C710	NCB31EK-104X	C CAPACITOR	0.1uF 25V K	
C173	QEKJ1CM-226Z	E CAPACITOR	22uF 16V M		C711	NCB31EK-104X	C CAPACITOR	0.1uF 25V K	
C174	NCB31AK-154X	C CAPACITOR	0.15uF 10V K		C712	NCB31EK-104X	C CAPACITOR	0.1uF 25V K	
C175	NDC31HJ-471X	C CAPACITOR	470pF 50V J		C713	NCB31EK-104X	C CAPACITOR	0.1uF 25V K	
C176	NCB31HK-472X	C CAPACITOR	4700pF 50V K		C714	NCB31EK-104X	C CAPACITOR	0.1uF 25V K	
C177	NCB31CK-104X	C CAPACITOR	0.1uF 16V K		C718	NDC31HJ-101X	C CAPACITOR	100pF 50V J	
C178	QEKJ1EM-475Z	E CAPACITOR	4.7uF 25V M		C719	QEKJ0JM-227Z	E CAPACITOR	220uF 6.3V M	
C179	QTE1E57-475Z	E CAPACITOR	4.7uF 25V		C771	NCB31EK-473X	C CAPACITOR	0.047uF 25V K	
C181	QEKJ1EM-475Z	E CAPACITOR	4.7uF 25V M		C775	NCB31HK-103X	C CAPACITOR	0.01uF 50V K	
C182	QFV91HJ-474Z	MF CAPACITOR	0.47uF 50V J		C776	QEKJ0JM-476Z	E CAPACITOR	47uF 6.3V M	
C183	QFV91HJ-474Z	MF CAPACITOR	0.47uF 50V J		C781	QEKJ1AM-227Z	E CAPACITOR	220uF 10V M	
C188	QTE1A57-107Z	E CAPACITOR	100uF 10V		C782	QEKJ1HM-225Z	E CAPACITOR	2.2uF 50V M	
C189	NCB31HK-103X	C CAPACITOR	0.01uF 50V K		C783	NCB31EK-823X	C CAPACITOR	0.082uF 25V K	
C191	QEKJ1EM-475Z	E CAPACITOR	4.7uF 25V M		C801	NCB31EK-473X	C CAPACITOR	0.047uF 25V K	
C192	QFV91HJ-474Z	MF CAPACITOR	0.47uF 50V J		C891	NCB31EK-104X	C CAPACITOR	0.1uF 25V K	
C193	QFV91HJ-474Z	MF CAPACITOR	0.47uF 50V J		C901	QEZ0769-278	E CAPACITOR	2700uF	
C301	QEKJ1HM-224Z	E CAPACITOR	0.22uF 50V M		C902	NCB31HK-103X	C CAPACITOR	0.01uF 50V K	
C302	QEKJ1EM-475Z	E CAPACITOR	4.7uF 25V M		C903	QEKJ1CM-226Z	E CAPACITOR	22uF 16V M	
C303	NCB31HK-223X	C CAPACITOR	0.022uF 50V K		C904	QEKJ1CM-226Z	E CAPACITOR	22uF 16V M	
C304	NCB31HK-223X	C CAPACITOR	0.022uF 50V K		C905	QEKJ1CM-226Z	E CAPACITOR	22uF 16V M	
C310	QTE1C57-106Z	E CAPACITOR	10uF 16V		C907	NCB31HK-103X	C CAPACITOR	0.01uF 50V K	
C312	NDC31HJ-101X	C CAPACITOR	100pF 50V J		C908	QEKJ1AM-107Z	E CAPACITOR	100uF 10V M	
C313	NDC31HJ-101X	C CAPACITOR	100pF 50V J		C909	QEKJ1AM-107Z	E CAPACITOR	100uF 10V M	
C314	NDC31HJ-101X	C CAPACITOR	100pF 50V J		C910	NCB31HK-103X	C CAPACITOR	0.01uF 50V K	
C315	NDC31HJ-101X	C CAPACITOR	100pF 50V J		C911	NCB31EK-104X	C CAPACITOR	0.1uF 25V K	
C319	NCB31EK-223X	C CAPACITOR	0.022uF 25V K		C915	QEKJ1CM-106Z	E CAPACITOR	10uF 16V M	
C321	QFV91HJ-474Z	MF CAPACITOR	0.47uF 50V J		C916	QEKJ1HM-225Z	E CAPACITOR	2.2uF 50V M	
C322	NCB31HK-103X	C CAPACITOR	0.01uF 50V K		C919	QEKJ0JM-107Z	E CAPACITOR	100uF 6.3V M	
C323	NCB31EK-104X	C CAPACITOR	0.1uF 25V K		C971	NCB31EK-104X	C CAPACITOR	0.1uF 25V K	
C324	NCB31EK-104X	C CAPACITOR	0.1uF 25V K		C982	NCB31EK-104X	C CAPACITOR	0.1uF 25V K	
C325	NCB31EK-104X	C CAPACITOR	0.1uF 25V K		C983	QEKJ0JM-107Z	E CAPACITOR	100uF 6.3V M	
C326	NCB31EK-104X	C CAPACITOR	0.1uF 25V K		C984	NCB31EK-104X	C CAPACITOR	0.1uF 25V K	
C341	NDC31HJ-101X	C CAPACITOR	100pF 50V J						
C351	NDC31HJ-101X	C CAPACITOR	100pF 50V J		R1	NRSA02J-8R2X	MG RESISTOR	8.2Ω 1/10W J	
C521	NCB31EK-104X	C CAPACITOR	0.1uF 25V K		R2	NRSA02J-8R2X	MG RESISTOR	8.2Ω 1/10W J	
C522	NCB31CK-224X	C CAPACITOR	0.22uF 16V K		R3	NRSA63J-332X	MG RESISTOR	3.3kΩ 1/16W J	

△ Symbol No.	Part No.	Part Name	Description	Local	△ Symbol No.	Part No.	Part Name	Description	Local
R71	NRS181J-222X	MG RESISTOR	2.2kΩ 1/8W J		R592	NRSA63J-103X	MG RESISTOR	10kΩ 1/16W J	
R72	NRSA63J-0R0X	MG RESISTOR	0Ω 1/16W J		R593	NRSA63J-104X	MG RESISTOR	100kΩ 1/16W J	
R73	NRSA63J-222X	MG RESISTOR	2.2kΩ 1/16W J		R594	NRSA63J-104X	MG RESISTOR	100kΩ 1/16W J	
R74	NRSA02J-101X	MG RESISTOR	100Ω 1/10W J		R701	NRSA63J-102X	MG RESISTOR	1kΩ 1/16W J	
R76	NRSA63J-0R0X	MG RESISTOR	0Ω 1/16W J		R707	NRSA63J-102X	MG RESISTOR	1kΩ 1/16W J	
R78	NRSA63J-0R0X	MG RESISTOR	0Ω 1/16W J		R709	NRSA63J-103X	MG RESISTOR	10kΩ 1/16W J	
R81	NRS181J-153X	MG RESISTOR	15kΩ 1/8W J		R710	NRSA63J-472X	MG RESISTOR	4.7kΩ 1/16W J	
R82	NRSA63J-682X	MG RESISTOR	6.8kΩ 1/16W J		R711	NRSA63J-103X	MG RESISTOR	10kΩ 1/16W J	
R91	NRSA63J-153X	MG RESISTOR	15kΩ 1/16W J		R712	NRSA63J-472X	MG RESISTOR	4.7kΩ 1/16W J	
R92	NRSA63J-682X	MG RESISTOR	6.8kΩ 1/16W J		R713	NRSA63J-103X	MG RESISTOR	10kΩ 1/16W J	
R161	NRSA63J-393X	MG RESISTOR	39kΩ 1/16W J		R714	NRSA63J-472X	MG RESISTOR	4.7kΩ 1/16W J	
R162	NRSA63J-472X	MG RESISTOR	4.7kΩ 1/16W J		R716	NRSA63J-0R0X	MG RESISTOR	0Ω 1/16W J	
R163	NRSA63J-222X	MG RESISTOR	2.2kΩ 1/16W J		R717	NRSA63J-0R0X	MG RESISTOR	0Ω 1/16W J	
R171	NRSA63J-393X	MG RESISTOR	39kΩ 1/16W J		R718	NRSA63J-222X	MG RESISTOR	2.2kΩ 1/16W J	
R172	NRSA63J-472X	MG RESISTOR	4.7kΩ 1/16W J		R720	NRSA63J-222X	MG RESISTOR	2.2kΩ 1/16W J	
R173	NRSA63J-222X	MG RESISTOR	2.2kΩ 1/16W J		R722	NRSA63J-473X	MG RESISTOR	47kΩ 1/16W J	
R181	NRSA63J-473X	MG RESISTOR	47kΩ 1/16W J		R723	NRSA63J-473X	MG RESISTOR	47kΩ 1/16W J	
R182	NRSA63J-0R0X	MG RESISTOR	0Ω 1/16W J		R724	NRSA63J-103X	MG RESISTOR	10kΩ 1/16W J	
R183	NRSA63J-0R0X	MG RESISTOR	0Ω 1/16W J		R725	NRSA63J-103X	MG RESISTOR	10kΩ 1/16W J	
R191	NRSA63J-473X	MG RESISTOR	47kΩ 1/16W J		R726	NRS181J-473X	MG RESISTOR	47kΩ 1/8W J	
R192	NRSA63J-0R0X	MG RESISTOR	0Ω 1/16W J		R727	NRSA63J-103X	MG RESISTOR	10kΩ 1/16W J	
R193	NRSA63J-0R0X	MG RESISTOR	0Ω 1/16W J		R728	NRS181J-473X	MG RESISTOR	47kΩ 1/8W J	
R301	NRSA63J-102X	MG RESISTOR	1kΩ 1/16W J		R729	NRSA63J-103X	MG RESISTOR	10kΩ 1/16W J	
R303	NRSA63J-102X	MG RESISTOR	1kΩ 1/16W J		R730	NRSA63J-103X	MG RESISTOR	10kΩ 1/16W J	
R304	NRSA63J-472X	MG RESISTOR	4.7kΩ 1/16W J		R731	NRS181J-104X	MG RESISTOR	100kΩ 1/8W J	
R307	NRSA63J-752X	MG RESISTOR	7.5kΩ 1/16W J		R732	NRSA63J-473X	MG RESISTOR	47kΩ 1/16W J	
R323	NRS181J-2R2X	MG RESISTOR	2.2Ω 1/8W J		R733	NRS181J-222X	MG RESISTOR	2.2kΩ 1/8W J	
R324	NRS181J-2R2X	MG RESISTOR	2.2Ω 1/8W J		R734	NRSA63J-223X	MG RESISTOR	22kΩ 1/16W J	
R325	NRS181J-2R2X	MG RESISTOR	2.2Ω 1/8W J		R735	NRSA63J-222X	MG RESISTOR	2.2kΩ 1/16W J	
R326	NRS181J-2R2X	MG RESISTOR	2.2Ω 1/8W J		R737	NRS181J-272X	MG RESISTOR	2.7kΩ 1/8W J	
R341	NRSA63J-821X	MG RESISTOR	820Ω 1/16W J		R738	NRSA63J-473X	MG RESISTOR	47kΩ 1/16W J	
R342	NRSA63J-101X	MG RESISTOR	100Ω 1/16W J		R739	NRS181J-473X	MG RESISTOR	47kΩ 1/8W J	
R345	NRSA63J-222X	MG RESISTOR	2.2kΩ 1/16W J		R740	NRSA63J-103X	MG RESISTOR	10kΩ 1/16W J	
R351	NRSA63J-821X	MG RESISTOR	820Ω 1/16W J		R741	NRSA63J-104X	MG RESISTOR	100kΩ 1/16W J	
R352	NRSA63J-101X	MG RESISTOR	100Ω 1/16W J		R742	NRSA63J-272X	MG RESISTOR	2.7kΩ 1/16W J	
R355	NRSA63J-222X	MG RESISTOR	2.2kΩ 1/16W J		R743	NRS181J-104X	MG RESISTOR	100kΩ 1/16W J	
R521	NRS181J-105X	MG RESISTOR	1MΩ 1/8W J		R744	NRSA63J-103X	MG RESISTOR	10kΩ 1/16W J	
R522	NRSA63J-221X	MG RESISTOR	220Ω 1/16W J		R745	NRS181J-221X	MG RESISTOR	220Ω 1/8W J	
R523	NRSA63J-472X	MG RESISTOR	4.7kΩ 1/16W J		R746	NRS181J-221X	MG RESISTOR	220Ω 1/8W J	
R524	NRS181J-222X	MG RESISTOR	2.2kΩ 1/8W J		R747	NRSA63J-221X	MG RESISTOR	220Ω 1/16W J	
R525	NRSA63J-102X	MG RESISTOR	1kΩ 1/16W J		R748	NRSA63J-221X	MG RESISTOR	220Ω 1/16W J	
R526	NRSA63J-102X	MG RESISTOR	1kΩ 1/16W J		R749	NRSA63J-472X	MG RESISTOR	4.7kΩ 1/16W J	
R527	NRSA63J-222X	MG RESISTOR	2.2kΩ 1/16W J		R750	NRS181J-472X	MG RESISTOR	4.7kΩ 1/8W J	
R528	NRSA63J-222X	MG RESISTOR	2.2kΩ 1/16W J		R752	NRS181J-103X	MG RESISTOR	10kΩ 1/8W J	
R529	NRSA63J-222X	MG RESISTOR	2.2kΩ 1/16W J		R753	NRSA63J-103X	MG RESISTOR	10kΩ 1/16W J	
R530	NRSA63J-472X	MG RESISTOR	4.7kΩ 1/16W J		R754	NRS181J-103X	MG RESISTOR	10kΩ 1/8W J	
R531	NRSA63J-472X	MG RESISTOR	4.7kΩ 1/16W J		R755	NRSA63J-473X	MG RESISTOR	47kΩ 1/16W J	
R532	NRSA63J-472X	MG RESISTOR	4.7kΩ 1/16W J		R756	NRSA63J-103X	MG RESISTOR	10kΩ 1/16W J	
R533	QRE141J-273Y	C RESISTOR	27kΩ 1/4W J		R757	NRSA63J-473X	MG RESISTOR	47kΩ 1/16W J	
R534	NRSA63J-683X	MG RESISTOR	68kΩ 1/16W J		R759	NRSA63J-473X	MG RESISTOR	47kΩ 1/16W J	
R535	NRSA63J-103X	MG RESISTOR	10kΩ 1/16W J		R760	NRSA63J-473X	MG RESISTOR	47kΩ 1/16W J	
R537	NRSA63J-155X	MG RESISTOR	1.5MΩ 1/16W J		R767	NRSA63J-473X	MG RESISTOR	47kΩ 1/16W J	
R538	NRSA63J-0R0X	MG RESISTOR	0Ω 1/16W J		R771	NRSA63J-271X	MG RESISTOR	270Ω 1/16W J	
R539	NRSA63J-0R0X	MG RESISTOR	0Ω 1/16W J		R772	NRSA63J-271X	MG RESISTOR	270Ω 1/16W J	
R540	NRSA63J-303X	MG RESISTOR	30kΩ 1/16W J		R775	NRSA63J-473X	MG RESISTOR	47kΩ 1/16W J	
R541	NRSA63J-393X	MG RESISTOR	39kΩ 1/16W J		R776	NRSA63J-222X	MG RESISTOR	2.2kΩ 1/16W J	
R542	NRSA63J-472X	MG RESISTOR	4.7kΩ 1/16W J		R777	NRSA63J-101X	MG RESISTOR	100Ω 1/16W J	
R543	NRS181J-102X	MG RESISTOR	1kΩ 1/8W J		R802	NRSA63J-0R0X	MG RESISTOR	0Ω 1/16W J	
R544	NRS181J-102X	MG RESISTOR	1kΩ 1/8W J		R804	NRS181J-203X	MG RESISTOR	20kΩ 1/8W J	
R545	NRS181J-332X	MG RESISTOR	3.3kΩ 1/8W J		R805	NRSA63J-0R0X	MG RESISTOR	0Ω 1/16W J	
R548	NRSA63J-332X	MG RESISTOR	3.3kΩ 1/16W J		R807	NRSA63J-203X	MG RESISTOR	20kΩ 1/16W J	
R554	NRSA63J-4R7X	MG RESISTOR	4.7Ω 1/16W J		R891	NRSA63J-102X	MG RESISTOR	1kΩ 1/16W J	
R556	NRSA63J-473X	MG RESISTOR	47kΩ 1/16W J		R892	NRSA63J-473X	MG RESISTOR	47kΩ 1/16W J	
R558	NRSA63J-823X	MG RESISTOR	82kΩ 1/16W J		R901	NRSA63J-912X	MG RESISTOR	9.1kΩ 1/16W J	
R559	NRSA63J-821X	MG RESISTOR	820Ω 1/16W J		R902	QRE141J-102Y	C RESISTOR	1kΩ 1/4W J	
R561	NRSA63J-102X	MG RESISTOR	1kΩ 1/16W J		R903	NRSA63J-472X	MG RESISTOR	4.7kΩ 1/16W J	
R562	NRSA63J-102X	MG RESISTOR	1kΩ 1/16W J		R905	NRS181J-102X	MG RESISTOR	1kΩ 1/8W J	
R565	NRSA63J-151X	MG RESISTOR	150Ω 1/16W J		R906	NRSA63J-102X	MG RESISTOR	1kΩ 1/16W J	
R566	NRS181J-100X	MG RESISTOR	10Ω 1/8W J		R911	NRSA02J-123X	MG RESISTOR	12kΩ 1/10W J	
R583	NRSA63J-153X	MG RESISTOR	15kΩ 1/16W J		R912	NRSA02J-273X	MG RESISTOR	27kΩ 1/10W J	
R584	NRSA63J-153X	MG RESISTOR	15kΩ 1/16W J		R971	NRS181J-222X	MG RESISTOR	2.2kΩ 1/8W J	
R585	NRSA63J-103X	MG RESISTOR	10kΩ 1/16W J		R972	NRS181J-222X	MG RESISTOR	2.2kΩ 1/8W J	
R586	NRSA63J-103X	MG RESISTOR	10kΩ 1/16W J						
R587	NRSA63J-303X	MG RESISTOR	30kΩ 1/16W J		L1	QQL801K-4R7Y	COIL	4.7uH K	
R588	NRSA63J-303X	MG RESISTOR	30kΩ 1/16W J		L701	QQL801K-4R7Y	COIL	4.7uH K	
R589	NRSA63J-152X	MG RESISTOR	1.5kΩ 1/16W J		L901	QQR0703-001	CHOKO COIL		
R590	NRSA63J-152X	MG RESISTOR	1.5kΩ 1/16W J						
R591	NRSA63J-103X	MG RESISTOR	10kΩ 1/16W J		CN501	QGB2027M4-22S	CONNECTOR	B-B (1-22)	

△ Symbol No.	Part No.	Part Name	Description	Local
CN701	QGZ1601J1-15	CONNECTOR	(1-15)	
CN761	QGA2006F1-02	CONNECTOR	W-B (1-2)	
CN901	QNZ0611-001	16P CONNECTOR		
J1	QNB0190-001	CAR ANT JACK		
J321	QNN0773-001	PIN JACK		
PP1	QZW0010-001	STYLE PIN		
PP2	QZW0010-001	STYLE PIN		
S775	QSW1049-001Z	TACT SW		
△ TU1	QAU0443-001	TUNER		
X71	QAX0263-001Z	CRYSTAL	4.332MHz	
X521	QAX0714-001Z	C RESONATOR	16.000MHz	
X701	QAX0667-001Z	C RESONATOR	8.000MHz	
X702	QAX0401-001	CRYSTAL	32.768KHz	

△ Symbol No.	Part No.	Part Name	Description	Local
D639	LNJ308G81/1-3/X	LED		G321E,G 321EU,G 321EX,G 321EY
D639	SML-310VT/JK/-X	LED		G322E,G 322EU,G 322EX,G 322EY
D640	LNJ308G81/1-3/X	LED		G321E,G 321EU,G 321EX,G 321EY
D640	SML-310VT/JK/-X	LED		G322E,G 322EU,G 322EX,G 322EY
D641	LNJ308G81/1-3/X	LED		G321E,G 321EU,G 321EX,G 321EY
D641	SML-310VT/JK/-X	LED		G322E,G 322EU,G 322EX,G 322EY
D642	LNJ308G81/1-3/X	LED		G321E,G 321EU,G 321EX,G 321EY
D642	SML-310VT/JK/-X	LED		G322E,G 322EU,G 322EX,G 322EY
D643	LNJ308G81/1-3/X	LED		G321E,G 321EU,G 321EX,G 321EY
D643	SML-310VT/JK/-X	LED		G322E,G 322EU,G 322EX,G 322EY
D644	LNJ308G81/1-3/X	LED		G321E,G 321EU,G 321EX,G 321EY
D644	SML-310VT/JK/-X	LED		G322E,G 322EU,G 322EX,G 322EY
D645	LNJ308G81/1-3/X	LED		G321E,G 321EU,G 321EX,G 321EY
D645	SML-310VT/JK/-X	LED		G322E,G 322EU,G 322EX,G 322EY
D646	LNJ308G81/1-3/X	LED		G321E,G 321EU,G 321EX,G 321EY
D646	SML-310VT/JK/-X	LED		G322E,G 322EU,G 322EX,G 322EY
D647	LNJ308G81/1-3/X	LED		G321E,G 321EU,G 321EX,G 321EY
D647	SML-310VT/JK/-X	LED		G322E,G 322EU,G 322EX,G 322EY
D648	LNJ308G81/1-3/X	LED		G321E,G 321EU,G 321EX,G 321EY
D648	SML-310VT/JK/-X	LED		G322E,G 322EU,G 322EX,G 322EY
D649	LNJ308G81/1-3/X	LED		G321E,G 321EU,G 321EX,G 321EY

Switch board (KD-G321,G322_E,EX,EY,EU)

Block No. [0][8]

△ Symbol No.	Part No.	Part Name	Description	Local
IC661	PT6523LQ-L	LCD DRIVER		
Q670	2SA1365/F/-X	TRANSISTOR		
Q671	RT1N141C-X	DIGI TRANSISTOR		
D630	SML-310LT/MN/-X	LED		
D631	LNJ308G81/1-3/X	LED		G321E,G 321EU,G 321EX,G 321EY
D631	SML-310VT/JK/-X	LED		G322E,G 322EU,G 322EX,G 322EY
D632	LNJ308G81/1-3/X	LED		G321E,G 321EU,G 321EX,G 321EY
D633	SML-310VT/JK/-X	LED		G322E,G 322EU,G 322EX,G 322EY
D634	LNJ308G81/1-3/X	LED		G321E,G 321EU,G 321EX,G 321EY
D635	LNJ308G81/1-3/X	LED		G321E,G 321EU,G 321EX,G 321EY
D635	SML-310VT/JK/-X	LED		G322E,G 322EU,G 322EX,G 322EY
D636	LNJ308G81/1-3/X	LED		G321E,G 321EU,G 321EX,G 321EY
D636	SML-310VT/JK/-X	LED		G322E,G 322EU,G 322EX,G 322EY
D637	LNJ308G81/1-3/X	LED		G321E,G 321EU,G 321EX,G 321EY
D637	SML-310VT/JK/-X	LED		G322E,G 322EU,G 322EX,G 322EY
D638	LNJ308G81/1-3/X	LED		G321E,G 321EU,G 321EX,G 321EY
D638	SML-310VT/JK/-X	LED		G322E,G 322EU,G 322EX,G 322EY

△ Symbol No.	Part No.	Part Name	Description	Local
D649	SML-310VT/JK/-X	LED		G322E,G 322EU,G 322EX,G 322EY
D652	NSPW310BS/BRST/	WHITE LED		
D653	NSPW310BS/BRST/	WHITE LED		
D661	1SS355W-X	DIODE C.M		
D662	UDZW5.1B-X	SI DIODE		
C661	NBE20JM-106X	TA E CAPACITOR	10uF 6.3V M	
C662	NCS31HJ-681X	C CAPACITOR	680pF 50V J	
C663	NCB31HK-223X	C CAPACITOR	0.022uF 50V K	
C686	NCB31HK-223X	C CAPACITOR	0.022uF 50V K	
C687	NCB31HK-223X	C CAPACITOR	0.022uF 50V K	
R601	NRSA63J-821X	MG RESISTOR	820Ω 1/16W J	
R602	NRSA63J-821X	MG RESISTOR	820Ω 1/16W J	
R603	NRSA63J-122X	MG RESISTOR	1.2kΩ 1/16W J	
R604	NRSA63J-182X	MG RESISTOR	1.8kΩ 1/16W J	
R605	NRSA63J-272X	MG RESISTOR	2.7kΩ 1/16W J	
R606	NRSA63J-821X	MG RESISTOR	820Ω 1/16W J	
R607	NRSA63J-821X	MG RESISTOR	820Ω 1/16W J	
R608	NRSA63J-122X	MG RESISTOR	1.2kΩ 1/16W J	
R609	NRSA63J-182X	MG RESISTOR	1.8kΩ 1/16W J	
R610	NRSA63J-272X	MG RESISTOR	2.7kΩ 1/16W J	
R611	NRSA63J-821X	MG RESISTOR	820Ω 1/16W J	
R612	NRSA63J-821X	MG RESISTOR	820Ω 1/16W J	
R613	NRSA63J-122X	MG RESISTOR	1.2kΩ 1/16W J	
R630	NRSA63J-821X	MG RESISTOR	820Ω 1/16W J	
R631	NRSA63J-471X	MG RESISTOR	470Ω 1/16W J	
R633	NRSA63J-122X	MG RESISTOR	1.2kΩ 1/16W J	G321E,G 321EU,G 321EX,G 321EY G322E,G 322EU,G 322EX,G 322EY
R633	NRSA63J-471X	MG RESISTOR	470Ω 1/16W J	G321E,G 321EU,G 321EX,G 321EY
R634	NRSA63J-152X	MG RESISTOR	1.5kΩ 1/16W J	G321E,G 321EU,G 321EX,G 321EY
R635	NRSA63J-561X	MG RESISTOR	560Ω 1/16W J	G321E,G 321EU,G 321EX,G 321EY
R637	NRSA63J-331X	MG RESISTOR	330Ω 1/16W J	
R639	NRSA63J-331X	MG RESISTOR	330Ω 1/16W J	
R641	NRSA63J-331X	MG RESISTOR	330Ω 1/16W J	
R643	NRSA63J-471X	MG RESISTOR	470Ω 1/16W J	
R645	NRSA63J-471X	MG RESISTOR	470Ω 1/16W J	
R649	NRS181J-391X	MG RESISTOR	390Ω 1/8W J	
R650	NRS181J-391X	MG RESISTOR	390Ω 1/8W J	
R661	NRSA63J-222X	MG RESISTOR	2.2kΩ 1/16W J	
R662	NRSA63J-222X	MG RESISTOR	2.2kΩ 1/16W J	
R663	NRSA63J-184X	MG RESISTOR	180kΩ 1/16W J	
R664	NRSA63J-103X	MG RESISTOR	10kΩ 1/16W J	
R665	NRSA63J-513X	MG RESISTOR	51kΩ 1/16W J	
R666	NRSA63J-103X	MG RESISTOR	10kΩ 1/16W J	
R667	NRSA63J-103X	MG RESISTOR	10kΩ 1/16W J	
R668	NRSA63J-103X	MG RESISTOR	10kΩ 1/16W J	
R670	NRS181J-471X	MG RESISTOR	470Ω 1/8W J	
R671	NRSA63J-473X	MG RESISTOR	47kΩ 1/16W J	
R672	NRS181J-102X	MG RESISTOR	1kΩ 1/8W J	
R686	NRSA63J-101X	MG RESISTOR	100Ω 1/16W J	
CJ601	QGZ1601K1-15S	CONNECTOR	(1-15)	
JS686	QSW0976-001	ROTARY ENCODER		
S601	NSW0124-001X	TACT SW		
S602	NSW0124-001X	TACT SW		
S603	NSW0124-001X	TACT SW		
S604	NSW0124-001X	TACT SW		
S605	NSW0124-001X	TACT SW		
S606	NSW0124-001X	TACT SW		
S607	NSW0124-001X	TACT SW		
S608	NSW0124-001X	TACT SW		
S609	NSW0124-001X	TACT SW		
S610	NSW0124-001X	TACT SW		
S611	NSW0124-001X	TACT SW		
S612	NSW0124-001X	TACT SW		

△ Symbol No.	Part No.	Part Name	Description	Local
S613	NSW0124-001X	TACT SW		
S614	NSW0124-001X	TACT SW		
S615	NSW0124-001X	TACT SW		
S616	NSW0124-001X	TACT SW		

Function board (KD-G321,G322_E,EX,EY,EU)

Block No. [0][9]

△ Symbol No.	Part No.	Part Name	Description	Local
△ IC501	LA6242H-X	IC		
Q501	2SA1705/ST/-T	TRANSISTOR		
C501	QEKJ0JM-227Z	E CAPACITOR	220uF 6.3V M	
C503	QEKJ1AM-227Z	E CAPACITOR	220uF 10V M	
C504	NCB31EK-104X	C CAPACITOR	0.1uF 25V K	
C506	NCB31HK-103X	C CAPACITOR	0.01uF 50V K	
C511	NCB31HK-222X	C CAPACITOR	2200pF 50V K	
C513	NCB31HK-682X	C CAPACITOR	6800pF 50V K	
C515	NCB31HK-122X	C CAPACITOR	1200pF 50V K	
C517	NCB31HK-182X	C CAPACITOR	1800pF 50V K	
C518	NDC31HJ-680X	C CAPACITOR	68pF 50V J	
R500	NRS181J-220X	MG RESISTOR	22Ω 1/8W J	
R501	NRSA63J-822X	MG RESISTOR	8.2kΩ 1/16W J	
R502	NRSA63J-822X	MG RESISTOR	8.2kΩ 1/16W J	
R503	NRSA63J-512X	MG RESISTOR	5.1kΩ 1/16W J	
R505	NRSA63J-113X	MG RESISTOR	11kΩ 1/16W J	
R506	NRSA63J-303X	MG RESISTOR	30kΩ 1/16W J	
R507	NRSA63J-153X	MG RESISTOR	15kΩ 1/16W J	
R508	NRSA63J-332X	MG RESISTOR	3.3kΩ 1/16W J	
R509	NRSA63J-104X	MG RESISTOR	100kΩ 1/16W J	
R510	NRSA63J-273X	MG RESISTOR	27kΩ 1/16W J	
R511	NRSA63J-153X	MG RESISTOR	15kΩ 1/16W J	
R512	NRSA63J-562X	MG RESISTOR	5.6kΩ 1/16W J	
R513	NRSA63J-103X	MG RESISTOR	10kΩ 1/16W J	
R514	NRSA63J-562X	MG RESISTOR	5.6kΩ 1/16W J	
R515	NRSA63J-153X	MG RESISTOR	15kΩ 1/16W J	
R516	NRSA63J-102X	MG RESISTOR	1kΩ 1/16W J	
R517	NRSA63J-153X	MG RESISTOR	15kΩ 1/16W J	
R518	NRSA63J-562X	MG RESISTOR	5.6kΩ 1/16W J	
R519	NRSA63J-473X	MG RESISTOR	47kΩ 1/16W J	
R520	NRS181J-220X	MG RESISTOR	22Ω 1/8W J	
R568	NRSA63J-752X	MG RESISTOR	7.5kΩ 1/16W J	
R569	NRSA63J-113X	MG RESISTOR	11kΩ 1/16W J	
CN502	QGZ2512M1-10	CONNECTOR	(1-10)	
CN503	QGZ2512M1-08	CONNECTOR	(1-8)	

Main board(KD-G327_EE)

Block No. [0][10]

△ Symbol No.	Part No.	Part Name	Description	Local
IC71	LC72725NM-X	IC		
IC171	NJW1192V-X	IC		
△ IC301	LA47201	POWER AMP IC		
△ IC521	MN6627945EE	IC		
IC523	SN74LVC2G07V-X	LOGIC IC		
IC581	NJM4565E-X	IC		
△ IC701	MN101C49KST	IC		
IC771	BR24L16F-W-X	IC		
IC775	S-80833CNNB-G-W	IC		
△ IC901	AN80T71	REGULATOR IC		
IC981	NJU772F15-X	IC		

△ Symbol No.	Part No.	Part Name	Description	Local	△ Symbol No.	Part No.	Part Name	Description	Local
Q74	RT1N141C-X	DIGI TRANSISTOR			C189	NCB31HK-103X	C CAPACITOR	0.01uF 50V K	
Q301	2SC3928A/QR/-X	TRANSISTOR			C191	QEKJ1EM-475Z	E CAPACITOR	4.7uF 25V M	
Q341	KTD1304-X	TRANSISTOR			C192	QFV91HJ-474Z	MF CAPACITOR	0.47uF 50V J	
Q351	KTD1304-X	TRANSISTOR			C193	QFV91HJ-474Z	MF CAPACITOR	0.47uF 50V J	
Q521	2SA1530A/QR/-X	TRANSISTOR			C301	QEKJ1HM-224Z	E CAPACITOR	0.22uF 50V M	
Q781	RT1P141C-X	DIGI TRANSISTOR			C302	QEKJ1EM-475Z	E CAPACITOR	4.7uF 25V M	
Q782	RT1P141C-X	DIGI TRANSISTOR			C303	NCB31HK-223X	C CAPACITOR	0.022uF 50V K	
Q891	RT1N141C-X	DIGI TRANSISTOR			C304	NCB31HK-223X	C CAPACITOR	0.022uF 50V K	
Q911	2SA1530A/QR/-X	TRANSISTOR			C310	QTE1C57-106Z	E CAPACITOR	10uF 16V	
Q912	RT1N141C-X	DIGI TRANSISTOR			C312	NDC31HJ-101X	C CAPACITOR	100pF 50V J	
					C313	NDC31HJ-101X	C CAPACITOR	100pF 50V J	
D1	1SS355W-X	DIODE C.M			C314	NDC31HJ-101X	C CAPACITOR	100pF 50V J	
D2	1SS355W-X	DIODE C.M			C315	NDC31HJ-101X	C CAPACITOR	100pF 50V J	
D301	UDZS3.3B-X	Z DIODE			C319	NCB31EK-223X	C CAPACITOR	0.022uF 25V K	
D341	1SS355W-X	DIODE C.M			C321	QFV91HJ-474Z	MF CAPACITOR	0.47uF 50V J	
D351	1SS355W-X	DIODE C.M			C322	NCB31HK-103X	C CAPACITOR	0.01uF 50V K	
D501	1A3G-T1	SI DIODE			C323	NCB31EK-104X	C CAPACITOR	0.1uF 25V K	
D711	UDZW6.2B-X	SI DIODE			C324	NCB31EK-104X	C CAPACITOR	0.1uF 25V K	
D712	UDZW6.2B-X	SI DIODE			C325	NCB31EK-104X	C CAPACITOR	0.1uF 25V K	
D713	UDZW6.2B-X	SI DIODE			C326	NCB31EK-104X	C CAPACITOR	0.1uF 25V K	
D714	UDZW6.2B-X	SI DIODE			C341	NDC31HJ-101X	C CAPACITOR	100pF 50V J	
D715	UDZW6.2B-X	SI DIODE			C351	NDC31HJ-101X	C CAPACITOR	100pF 50V J	
D716	UDZW6.2B-X	SI DIODE			C521	NCB31EK-104X	C CAPACITOR	0.1uF 25V K	
D717	UDZW6.2B-X	SI DIODE			C522	NCB31CK-224X	C CAPACITOR	0.22uF 16V K	
D718	UDZW6.2B-X	SI DIODE			C523	NDC31HJ-101X	C CAPACITOR	100pF 50V J	
D719	UDZW6.2B-X	SI DIODE			C524	NDC31HJ-561X	C CAPACITOR	560pF 50V J	
D720	UDZW6.2B-X	SI DIODE			C525	NCB31HK-223X	C CAPACITOR	0.022uF 50V K	
D721	UDZW6.2B-X	SI DIODE			C526	NCB31HK-223X	C CAPACITOR	0.022uF 50V K	
D775	1SS355W-X	DIODE C.M			C527	NCB31EK-332X	C CAPACITOR	3300pF 25V K	
D776	UDZW5.6B-X	Z DIODE			C528	NDC31HJ-181X	C CAPACITOR	180pF 50V J	
D781	1SS355W-X	DIODE C.M			C529	NCB31HK-822X	C CAPACITOR	8200pF 50V K	
D782	UDZW11B-X	Z DIODE			C530	NCB31HK-822X	C CAPACITOR	8200pF 50V K	
D891	1SS355W-X	DIODE C.M			C531	NCB31AK-334X	C CAPACITOR	0.33uF 10V K	
D892	1SS355W-X	DIODE C.M			C532	NCB31AK-334X	C CAPACITOR	0.33uF 10V K	
△ D901	1N5401-F64	DIODE			C533	QEKJ0JM-476Z	E CAPACITOR	47uF 6.3V M	
D903	1SS355W-X	DIODE C.M			C534	NCB31EK-332X	C CAPACITOR	3300pF 25V K	
D971	CRS03-W	SB DIODE			C535	NCB31EK-104X	C CAPACITOR	0.1uF 25V K	
D972	CRS03-W	SB DIODE			C536	QEKJ0JM-476Z	E CAPACITOR	47uF 6.3V M	
					C537	QEKJ0JM-476Z	E CAPACITOR	47uF 6.3V M	
C1	QEKJ1AM-227Z	E CAPACITOR	220uF 10V M		C539	NCB31EK-104X	C CAPACITOR	0.1uF 25V K	
C2	QEKJ0JM-476Z	E CAPACITOR	47uF 6.3V M		C540	NCS31HJ-681X	C CAPACITOR	680pF 50V J	
C3	NCB31EK-104X	C CAPACITOR	0.1uF 25V K		C541	NCB31EK-153X	C CAPACITOR	0.015uF 25V K	
C4	NCB31EK-104X	C CAPACITOR	0.1uF 25V K		C542	NCB31EK-104X	C CAPACITOR	0.1uF 25V K	
C5	NCB31EK-104X	C CAPACITOR	0.1uF 25V K		C543	NCB31HK-102X	C CAPACITOR	1000pF 50V K	
C8	NCB31EK-104X	C CAPACITOR	0.1uF 25V K		C544	NCB31EK-823X	C CAPACITOR	0.082uF 25V K	
C9	NDC31HJ-2R0X	C CAPACITOR	2pF 50V J		C545	NCB31EK-104X	C CAPACITOR	0.1uF 25V K	
C71	NDC31HJ-561X	C CAPACITOR	560pF 50V J		C547	QTE0J57-476Z	E CAPACITOR	47uF 6.3V	
C72	NDC31HJ-331X	C CAPACITOR	330pF 50V J		C548	QTE0J57-476Z	E CAPACITOR	47uF 6.3V	
C73	QEKJ1CM-106Z	E CAPACITOR	10uF 16V M		C549	NCB31EK-104X	C CAPACITOR	0.1uF 25V K	
C74	NDC31HJ-330X	C CAPACITOR	33pF 50V J		C551	NCB31EK-104X	C CAPACITOR	0.1uF 25V K	
C75	NDC31HJ-330X	C CAPACITOR	33pF 50V J		C552	QEKJ0JM-476Z	E CAPACITOR	47uF 6.3V M	
C76	NCB31HK-103X	C CAPACITOR	0.01uF 50V K		C583	NDC31HJ-821X	C CAPACITOR	820pF 50V J	
C77	QEKJ0JM-476Z	E CAPACITOR	47uF 6.3V M		C584	NDC31HJ-821X	C CAPACITOR	820pF 50V J	
C78	NCB31HK-103X	C CAPACITOR	0.01uF 50V K		C585	QTE1H54-225Z	E CAPACITOR	2.2uF 50V	
C82	QTE1H57-105Z	E CAPACITOR	1uF 50V		C586	QTE1H54-225Z	E CAPACITOR	2.2uF 50V	
C84	QTE1H57-105Z	E CAPACITOR	1uF 50V		C587	NDC31HJ-101X	C CAPACITOR	100pF 50V J	
C85	NCB31AK-224X	C CAPACITOR	0.22uF 10V K		C588	NDC31HJ-101X	C CAPACITOR	100pF 50V J	
C92	QTE1H57-105Z	E CAPACITOR	1uF 50V		C590	QTE0J57-476Z	E CAPACITOR	47uF 6.3V	
C94	QTE1H57-105Z	E CAPACITOR	1uF 50V		C591	QTE1A57-107Z	E CAPACITOR	100uF 10V	
C160	QTE1C57-106Z	E CAPACITOR	10uF 16V		C592	NCB31EK-104X	C CAPACITOR	0.1uF 25V K	
C163	QEKJ1CM-226Z	E CAPACITOR	22uF 16V M		C703	NDC31HJ-270X	C CAPACITOR	27pF 50V J	
C164	NCB31HK-471X	C CAPACITOR	470pF 50V K		C704	NDC31HJ-270X	C CAPACITOR	27pF 50V J	
C165	NCB31AK-154X	C CAPACITOR	0.15uF 10V K		C705	NCB31EK-104X	C CAPACITOR	0.1uF 25V K	
C166	NCB31HK-472X	C CAPACITOR	4700pF 50V K		C706	NCB31EK-104X	C CAPACITOR	0.1uF 25V K	
C167	NCB31CK-104X	C CAPACITOR	0.1uF 16V K		C707	NDC31HJ-470X	C CAPACITOR	47pF 50V J	
C168	QEKJ1EM-475Z	E CAPACITOR	4.7uF 25V M		C709	QEKJ0JM-227Z	E CAPACITOR	220uF 6.3V M	
C169	QTE1E57-475Z	E CAPACITOR	4.7uF 25V		C710	NCB31EK-104X	C CAPACITOR	0.1uF 25V K	
C173	QEKJ1CM-226Z	E CAPACITOR	22uF 16V M		C711	NCB31EK-104X	C CAPACITOR	0.1uF 25V K	
C174	NCB31AK-154X	C CAPACITOR	0.15uF 10V K		C712	NCB31EK-104X	C CAPACITOR	0.1uF 25V K	
C175	NDC31HJ-471X	C CAPACITOR	470pF 50V J		C713	NCB31EK-104X	C CAPACITOR	0.1uF 25V K	
C176	NCB31HK-472X	C CAPACITOR	4700pF 50V K		C714	NCB31EK-104X	C CAPACITOR	0.1uF 25V K	
C177	NCB31CK-104X	C CAPACITOR	0.1uF 16V K		C719	QEKJ0JM-227Z	E CAPACITOR	220uF 6.3V M	
C178	QEKJ1EM-475Z	E CAPACITOR	4.7uF 25V M		C771	NCB31EK-473X	C CAPACITOR	0.047uF 25V K	
C179	QTE1E57-475Z	E CAPACITOR	4.7uF 25V		C775	NCB31HK-103X	C CAPACITOR	0.01uF 50V K	
C181	QEKJ1EM-475Z	E CAPACITOR	4.7uF 25V M		C776	QEKJ0JM-476Z	E CAPACITOR	47uF 6.3V M	
C182	QFV91HJ-474Z	MF CAPACITOR	0.47uF 50V J		C781	QEKJ1AM-227Z	E CAPACITOR	220uF 10V M	
C183	QFV91HJ-474Z	MF CAPACITOR	0.47uF 50V J		C782	QEKJ1HM-225Z	E CAPACITOR	2.2uF 50V M	
C188	QTE1A57-107Z	E CAPACITOR	100uF 10V		C783	NCB31EK-823X	C CAPACITOR	0.082uF 25V K	

△ Symbol No.	Part No.	Part Name	Description	Local	△ Symbol No.	Part No.	Part Name	Description	Local
C801	NCB31EK-473X	C CAPACITOR	0.047uF 25V K		R541	NRSA63J-393X	MG RESISTOR	39kΩ 1/16W J	
C891	NCB31EK-104X	C CAPACITOR	0.1uF 25V K		R542	NRSA63J-472X	MG RESISTOR	4.7kΩ 1/16W J	
C901	QEZ0769-278	E CAPACITOR	2700uF		R543	NRS181J-102X	MG RESISTOR	1kΩ 1/8W J	
C902	NCB31HK-103X	C CAPACITOR	0.01uF 50V K		R544	NRS181J-102X	MG RESISTOR	1kΩ 1/8W J	
C903	QEKJ1CM-226Z	E CAPACITOR	22uF 16V M		R545	NRS181J-332X	MG RESISTOR	3.3kΩ 1/8W J	
C904	QEKJ1CM-226Z	E CAPACITOR	22uF 16V M		R548	NRSA63J-332X	MG RESISTOR	3.3kΩ 1/16W J	
C905	QEKJ1CM-226Z	E CAPACITOR	22uF 16V M		R554	NRSA63J-4R7X	MG RESISTOR	4.7Ω 1/16W J	
C907	NCB31HK-103X	C CAPACITOR	0.01uF 50V K		R556	NRSA63J-473X	MG RESISTOR	47kΩ 1/16W J	
C908	QEKJ1AM-107Z	E CAPACITOR	100uF 10V M		R558	NRSA63J-823X	MG RESISTOR	82kΩ 1/16W J	
C909	QEKJ1AM-107Z	E CAPACITOR	100uF 10V M		R559	NRSA63J-821X	MG RESISTOR	820Ω 1/16W J	
C910	NCB31HK-103X	C CAPACITOR	0.01uF 50V K		R561	NRSA63J-102X	MG RESISTOR	1kΩ 1/16W J	
C911	NCB31EK-104X	C CAPACITOR	0.1uF 25V K		R562	NRSA63J-102X	MG RESISTOR	1kΩ 1/16W J	
C915	QEKJ1CM-106Z	E CAPACITOR	10uF 16V M		R565	NRSA63J-151X	MG RESISTOR	150Ω 1/16W J	
C916	QEKJ1HM-225Z	E CAPACITOR	2.2uF 50V M		R566	NRS181J-100X	MG RESISTOR	10Ω 1/8W J	
C919	QEKJ0JM-107Z	E CAPACITOR	100uF 6.3V M		R583	NRSA63J-153X	MG RESISTOR	15kΩ 1/16W J	
C971	NCB31EK-104X	C CAPACITOR	0.1uF 25V K		R584	NRSA63J-153X	MG RESISTOR	15kΩ 1/16W J	
C982	NCB31EK-104X	C CAPACITOR	0.1uF 25V K		R585	NRSA63J-103X	MG RESISTOR	10kΩ 1/16W J	
C983	QEKJ0JM-107Z	E CAPACITOR	100uF 6.3V M		R586	NRSA63J-103X	MG RESISTOR	10kΩ 1/16W J	
C984	NCB31EK-104X	C CAPACITOR	0.1uF 25V K		R587	NRSA63J-303X	MG RESISTOR	30kΩ 1/16W J	
					R588	NRSA63J-303X	MG RESISTOR	30kΩ 1/16W J	
R1	NRSA02J-8R2X	MG RESISTOR	8.2Ω 1/10W J		R589	NRSA63J-152X	MG RESISTOR	1.5kΩ 1/16W J	
R2	NRSA02J-8R2X	MG RESISTOR	8.2Ω 1/10W J		R590	NRSA63J-152X	MG RESISTOR	1.5kΩ 1/16W J	
R3	NRSA63J-332X	MG RESISTOR	3.3kΩ 1/16W J		R591	NRSA63J-103X	MG RESISTOR	10kΩ 1/16W J	
R71	NRS181J-222X	MG RESISTOR	2.2kΩ 1/8W J		R592	NRSA63J-103X	MG RESISTOR	10kΩ 1/16W J	
R72	NRSA63J-0R0X	MG RESISTOR	0Ω 1/16W J		R593	NRSA63J-104X	MG RESISTOR	100kΩ 1/16W J	
R73	NRSA63J-222X	MG RESISTOR	2.2kΩ 1/16W J		R594	NRSA63J-104X	MG RESISTOR	100kΩ 1/16W J	
R74	NRSA02J-101X	MG RESISTOR	100Ω 1/10W J		R701	NRSA63J-102X	MG RESISTOR	1kΩ 1/16W J	
R76	NRSA63J-0R0X	MG RESISTOR	0Ω 1/16W J		R707	NRSA63J-102X	MG RESISTOR	1kΩ 1/16W J	
R78	NRSA63J-0R0X	MG RESISTOR	0Ω 1/16W J		R709	NRSA63J-103X	MG RESISTOR	10kΩ 1/16W J	
R81	NRS181J-153X	MG RESISTOR	15kΩ 1/8W J		R710	NRSA63J-472X	MG RESISTOR	4.7kΩ 1/16W J	
R82	NRSA63J-682X	MG RESISTOR	6.8kΩ 1/16W J		R711	NRSA63J-103X	MG RESISTOR	10kΩ 1/16W J	
R91	NRSA63J-153X	MG RESISTOR	15kΩ 1/16W J		R712	NRSA63J-472X	MG RESISTOR	4.7kΩ 1/16W J	
R92	NRSA63J-682X	MG RESISTOR	6.8kΩ 1/16W J		R713	NRSA63J-103X	MG RESISTOR	10kΩ 1/16W J	
R161	NRSA63J-393X	MG RESISTOR	39kΩ 1/16W J		R714	NRSA63J-472X	MG RESISTOR	4.7kΩ 1/16W J	
R162	NRSA63J-472X	MG RESISTOR	4.7kΩ 1/16W J		R716	NRSA63J-0R0X	MG RESISTOR	0Ω 1/16W J	
R163	NRSA63J-222X	MG RESISTOR	2.2kΩ 1/16W J		R717	NRSA63J-0R0X	MG RESISTOR	0Ω 1/16W J	
R171	NRSA63J-393X	MG RESISTOR	39kΩ 1/16W J		R718	NRSA63J-222X	MG RESISTOR	2.2kΩ 1/16W J	
R172	NRSA63J-472X	MG RESISTOR	4.7kΩ 1/16W J		R720	NRSA63J-222X	MG RESISTOR	2.2kΩ 1/16W J	
R173	NRSA63J-222X	MG RESISTOR	2.2kΩ 1/16W J		R722	NRSA63J-473X	MG RESISTOR	47kΩ 1/16W J	
R181	NRSA63J-473X	MG RESISTOR	47kΩ 1/16W J		R723	NRSA63J-473X	MG RESISTOR	47kΩ 1/16W J	
R182	NRSA63J-0R0X	MG RESISTOR	0Ω 1/16W J		R724	NRSA63J-103X	MG RESISTOR	10kΩ 1/16W J	
R183	NRSA63J-0R0X	MG RESISTOR	0Ω 1/16W J		R725	NRSA63J-103X	MG RESISTOR	10kΩ 1/16W J	
R191	NRSA63J-473X	MG RESISTOR	47kΩ 1/16W J		R726	NRS181J-473X	MG RESISTOR	47kΩ 1/8W J	
R192	NRSA63J-0R0X	MG RESISTOR	0Ω 1/16W J		R727	NRSA63J-103X	MG RESISTOR	10kΩ 1/16W J	
R193	NRSA63J-0R0X	MG RESISTOR	0Ω 1/16W J		R728	NRS181J-473X	MG RESISTOR	47kΩ 1/8W J	
R301	NRSA63J-102X	MG RESISTOR	1kΩ 1/16W J		R729	NRSA63J-103X	MG RESISTOR	10kΩ 1/16W J	
R303	NRSA63J-102X	MG RESISTOR	1kΩ 1/16W J		R731	NRS181J-104X	MG RESISTOR	100kΩ 1/8W J	
R304	NRSA63J-472X	MG RESISTOR	4.7kΩ 1/16W J		R732	NRSA63J-473X	MG RESISTOR	47kΩ 1/16W J	
R307	NRSA63J-752X	MG RESISTOR	7.5kΩ 1/16W J		R733	NRS181J-222X	MG RESISTOR	2.2kΩ 1/8W J	
R323	NRS181J-2R2X	MG RESISTOR	2.2Ω 1/8W J		R734	NRSA63J-223X	MG RESISTOR	2.2kΩ 1/16W J	
R324	NRS181J-2R2X	MG RESISTOR	2.2Ω 1/8W J		R735	NRSA63J-222X	MG RESISTOR	2.2kΩ 1/16W J	
R325	NRS181J-2R2X	MG RESISTOR	2.2Ω 1/8W J		R737	NRS181J-272X	MG RESISTOR	2.7kΩ 1/8W J	
R326	NRS181J-2R2X	MG RESISTOR	2.2Ω 1/8W J		R738	NRSA63J-473X	MG RESISTOR	47kΩ 1/16W J	
R341	NRSA63J-821X	MG RESISTOR	820Ω 1/16W J		R739	NRS181J-473X	MG RESISTOR	47kΩ 1/8W J	
R342	NRSA63J-101X	MG RESISTOR	100Ω 1/16W J		R740	NRSA63J-103X	MG RESISTOR	10kΩ 1/16W J	
R345	NRSA63J-222X	MG RESISTOR	2.2kΩ 1/16W J		R741	NRSA63J-104X	MG RESISTOR	100kΩ 1/16W J	
R351	NRSA63J-821X	MG RESISTOR	820Ω 1/16W J		R742	NRSA63J-272X	MG RESISTOR	2.7kΩ 1/16W J	
R352	NRSA63J-101X	MG RESISTOR	100Ω 1/16W J		R743	NRS181J-104X	MG RESISTOR	100kΩ 1/8W J	
R355	NRSA63J-222X	MG RESISTOR	2.2kΩ 1/16W J		R744	NRSA63J-103X	MG RESISTOR	10kΩ 1/16W J	
R521	NRS181J-105X	MG RESISTOR	1MΩ 1/8W J		R745	NRS181J-221X	MG RESISTOR	220Ω 1/8W J	
R522	NRSA63J-221X	MG RESISTOR	220Ω 1/16W J		R746	NRS181J-221X	MG RESISTOR	220Ω 1/8W J	
R523	NRSA63J-472X	MG RESISTOR	4.7kΩ 1/16W J		R747	NRSA63J-221X	MG RESISTOR	220Ω 1/16W J	
R524	NRS181J-222X	MG RESISTOR	2.2kΩ 1/8W J		R748	NRSA63J-221X	MG RESISTOR	220Ω 1/16W J	
R525	NRSA63J-102X	MG RESISTOR	1kΩ 1/16W J		R749	NRSA63J-472X	MG RESISTOR	4.7kΩ 1/16W J	
R526	NRSA63J-102X	MG RESISTOR	1kΩ 1/16W J		R750	NRS181J-472X	MG RESISTOR	4.7kΩ 1/8W J	
R527	NRSA63J-222X	MG RESISTOR	2.2kΩ 1/16W J		R752	NRS181J-103X	MG RESISTOR	10kΩ 1/8W J	
R528	NRSA63J-222X	MG RESISTOR	2.2kΩ 1/16W J		R753	NRSA63J-103X	MG RESISTOR	10kΩ 1/16W J	
R529	NRSA63J-222X	MG RESISTOR	2.2kΩ 1/16W J		R754	NRS181J-103X	MG RESISTOR	10kΩ 1/8W J	
R530	NRSA63J-472X	MG RESISTOR	4.7kΩ 1/16W J		R755	NRSA63J-473X	MG RESISTOR	47kΩ 1/16W J	
R531	NRSA63J-472X	MG RESISTOR	4.7kΩ 1/16W J		R756	NRSA63J-103X	MG RESISTOR	10kΩ 1/16W J	
R532	NRSA63J-472X	MG RESISTOR	4.7kΩ 1/16W J		R757	NRSA63J-473X	MG RESISTOR	47kΩ 1/16W J	
R533	QRE141J-273Y	C RESISTOR	27kΩ 1/4W J		R759	NRSA63J-473X	MG RESISTOR	47kΩ 1/16W J	
R534	NRSA63J-683X	MG RESISTOR	68kΩ 1/16W J		R761	NRSA63J-473X	MG RESISTOR	47kΩ 1/16W J	
R535	NRSA63J-103X	MG RESISTOR	10kΩ 1/16W J		R767	NRSA63J-473X	MG RESISTOR	47kΩ 1/16W J	
R537	NRSA63J-155X	MG RESISTOR	1.5MΩ 1/16W J		R771	NRSA63J-271X	MG RESISTOR	270Ω 1/16W J	
R538	NRSA63J-0R0X	MG RESISTOR	0Ω 1/16W J		R772	NRSA63J-271X	MG RESISTOR	270Ω 1/16W J	
R539	NRSA63J-0R0X	MG RESISTOR	0Ω 1/16W J		R775	NRSA63J-473X	MG RESISTOR	47kΩ 1/16W J	
R540	NRSA63J-303X	MG RESISTOR	30kΩ 1/16W J		R776	NRSA63J-222X	MG RESISTOR	2.2kΩ 1/16W J	

△ Symbol No.	Part No.	Part Name	Description	Local	△ Symbol No.	Part No.	Part Name	Description	Local
R777	NRSA63J-101X	MG RESISTOR	100Ω 1/16W J		C686	NCB31HK-223X	C CAPACITOR	0.022uF 50V K	
R802	NRSA63J-0R0X	MG RESISTOR	0Ω 1/16W J		C687	NCB31HK-223X	C CAPACITOR	0.022uF 50V K	
R804	NRS181J-203X	MG RESISTOR	20kΩ 1/8W J		R601	NRSA63J-821X	MG RESISTOR	820Ω 1/16W J	
R805	NRSA63J-0R0X	MG RESISTOR	0Ω 1/16W J		R602	NRSA63J-821X	MG RESISTOR	820Ω 1/16W J	
R807	NRSA63J-203X	MG RESISTOR	20kΩ 1/16W J		R603	NRSA63J-122X	MG RESISTOR	1.2kΩ 1/16W J	
R891	NRSA63J-102X	MG RESISTOR	1kΩ 1/16W J		R604	NRSA63J-182X	MG RESISTOR	1.8kΩ 1/16W J	
R892	NRSA63J-473X	MG RESISTOR	47kΩ 1/16W J		R605	NRSA63J-272X	MG RESISTOR	2.7kΩ 1/16W J	
R901	NRSA63J-912X	MG RESISTOR	9.1kΩ 1/16W J		R606	NRSA63J-821X	MG RESISTOR	820Ω 1/16W J	
R902	QRE141J-102Y	C RESISTOR	1kΩ 1/4W J		R607	NRSA63J-821X	MG RESISTOR	820Ω 1/16W J	
R903	NRSA63J-472X	MG RESISTOR	4.7kΩ 1/16W J		R608	NRSA63J-122X	MG RESISTOR	1.2kΩ 1/16W J	
R905	NRS181J-102X	MG RESISTOR	1kΩ 1/8W J		R609	NRSA63J-182X	MG RESISTOR	1.8kΩ 1/16W J	
R906	NRSA63J-102X	MG RESISTOR	1kΩ 1/16W J		R610	NRSA63J-272X	MG RESISTOR	2.7kΩ 1/16W J	
R911	NRSA02J-123X	MG RESISTOR	12kΩ 1/10W J		R611	NRSA63J-821X	MG RESISTOR	820Ω 1/16W J	
R912	NRSA02J-273X	MG RESISTOR	27kΩ 1/10W J		R612	NRSA63J-821X	MG RESISTOR	820Ω 1/16W J	
R971	NRS181J-222X	MG RESISTOR	2.2kΩ 1/8W J		R613	NRSA63J-122X	MG RESISTOR	1.2kΩ 1/16W J	
R972	NRS181J-222X	MG RESISTOR	2.2kΩ 1/8W J		R630	NRSA63J-821X	MG RESISTOR	820Ω 1/16W J	
L1	QQL801K-4R7Y	COIL	4.7uH K		R631	NRSA63J-471X	MG RESISTOR	470Ω 1/16W J	
L2	NQL093K-R22X	COIL	0.22uH K		R633	NRSA63J-471X	MG RESISTOR	470Ω 1/16W J	
L701	QQL801K-4R7Y	COIL	4.7uH K		R637	NRSA63J-331X	MG RESISTOR	330Ω 1/16W J	
L901	QQR0703-001	CHOKE COIL			R639	NRSA63J-331X	MG RESISTOR	330Ω 1/16W J	
CN501	QGB2027M4-22S	CONNECTOR	B-B (1-22)		R641	NRSA63J-331X	MG RESISTOR	330Ω 1/16W J	
CN701	QGZ1601J1-15	CONNECTOR	(1-15)		R643	NRSA63J-471X	MG RESISTOR	470Ω 1/16W J	
CN901	QNZ0611-001	16P CONNECTOR			R645	NRSA63J-471X	MG RESISTOR	470Ω 1/16W J	
J1	QNB0190-001	CAR ANT JACK			R649	NRS181J-391X	MG RESISTOR	390Ω 1/8W J	
J321	QNN0773-001	PIN JACK			R650	NRS181J-391X	MG RESISTOR	390Ω 1/8W J	
S775	QSW1049-001Z	TACT SW			R661	NRSA63J-222X	MG RESISTOR	2.2kΩ 1/16W J	
△ TU1	QAU0453-001	TUNER PACK			R662	NRSA63J-222X	MG RESISTOR	2.2kΩ 1/16W J	
X71	QAX0263-001Z	CRYSTAL	4.332MHz		R663	NRSA63J-184X	MG RESISTOR	180kΩ 1/16W J	
X521	QAX0714-001Z	C RESONATOR	16.000MHz		R664	NRSA63J-103X	MG RESISTOR	10kΩ 1/16W J	
X701	QAX0667-001Z	C RESONATOR	8.000MHz		R665	NRSA63J-513X	MG RESISTOR	51kΩ 1/16W J	
X702	QAX0401-001	CRYSTAL	32.768KHz		R666	NRSA63J-103X	MG RESISTOR	10kΩ 1/16W J	
					R667	NRSA63J-103X	MG RESISTOR	10kΩ 1/16W J	
					R668	NRSA63J-103X	MG RESISTOR	10kΩ 1/16W J	
					R670	NRS181J-471X	MG RESISTOR	470Ω 1/8W J	
					R671	NRSA63J-473X	MG RESISTOR	47kΩ 1/16W J	
					R672	NRS181J-102X	MG RESISTOR	1kΩ 1/8W J	
					R681	NRSA63J-471X	MG RESISTOR	470Ω 1/16W J	
					R682	NRSA63J-103X	MG RESISTOR	10kΩ 1/16W J	
					R686	NRSA63J-101X	MG RESISTOR	100Ω 1/16W J	

Switch board(KD-G327_EE)

Block No. [0][11]

△ Symbol No.	Part No.	Part Name	Description	Local
IC661	PT6523LQ-L	LCD DRIVER		
IC681	RPM7338-V4	RM.RECEIVER		
Q670	2SA1365/F/-X	TRANSISTOR		
Q671	RT1N141C-X	DIGI TRANSISTOR		
D630	SML-310LT/MN/-X	LED		
D631	SML-310VT/JK/-X	LED		
D633	SML-310VT/JK/-X	LED		
D635	SML-310VT/JK/-X	LED		
D636	SML-310VT/JK/-X	LED		
D637	SML-310VT/JK/-X	LED		
D638	SML-310VT/JK/-X	LED		
D639	SML-310VT/JK/-X	LED		
D640	SML-310VT/JK/-X	LED		
D641	SML-310VT/JK/-X	LED		
D642	SML-310VT/JK/-X	LED		
D643	SML-310VT/JK/-X	LED		
D644	SML-310VT/JK/-X	LED		
D645	SML-310VT/JK/-X	LED		
D646	SML-310VT/JK/-X	LED		
D647	SML-310VT/JK/-X	LED		
D648	SML-310VT/JK/-X	LED		
D649	SML-310VT/JK/-X	LED		
D652	NSPW310BS/BRST/	WHITE LED		
D653	NSPW310BS/BRST/	WHITE LED		
D661	1SS355W-X	DIODE C.M		
D662	UDZW5.1B-X	SI DIODE		
D681	UDZW6.2B-X	SI DIODE		
C661	NBE20JM-106X	TA E CAPACITOR	10uF 6.3V M	
C662	NCS31HJ-681X	C CAPACITOR	680pF 50V J	
C663	NCB31HK-223X	C CAPACITOR	0.022uF 50V K	
C681	NBE20JM-475X	TA E CAPACITOR	4.7uF 6.3V M	
C682	NCB31HK-123X	C CAPACITOR	0.012uF 50V K	

CJ601	QGZ1601K1-15S	CONNECTOR	(1-15)	
JS686	QSW0976-001	ROTARY ENCODER		
S601	NSW0124-001X	TACT SW		
S602	NSW0124-001X	TACT SW		
S603	NSW0124-001X	TACT SW		
S604	NSW0124-001X	TACT SW		
S605	NSW0124-001X	TACT SW		
S606	NSW0124-001X	TACT SW		
S607	NSW0124-001X	TACT SW		
S608	NSW0124-001X	TACT SW		
S609	NSW0124-001X	TACT SW		
S610	NSW0124-001X	TACT SW		
S611	NSW0124-001X	TACT SW		
S612	NSW0124-001X	TACT SW		
S613	NSW0124-001X	TACT SW		
S614	NSW0124-001X	TACT SW		
S615	NSW0124-001X	TACT SW		
S616	NSW0124-001X	TACT SW		

Function board(KD-G327_EE)

Block No. [0][12]

△ Symbol No.	Part No.	Part Name	Description	Local
△ IC501	LA6242H-X	IC		
Q501	2SA1705/ST-T	TRANSISTOR		
C501	QEKJ0JM-227Z	E CAPACITOR	220uF 6.3V M	
C503	QEKJ1AM-227Z	E CAPACITOR	220uF 10V M	
C504	NCB31EK-104X	C CAPACITOR	0.1uF 25V K	
C506	NCB31HK-103X	C CAPACITOR	0.01uF 50V K	

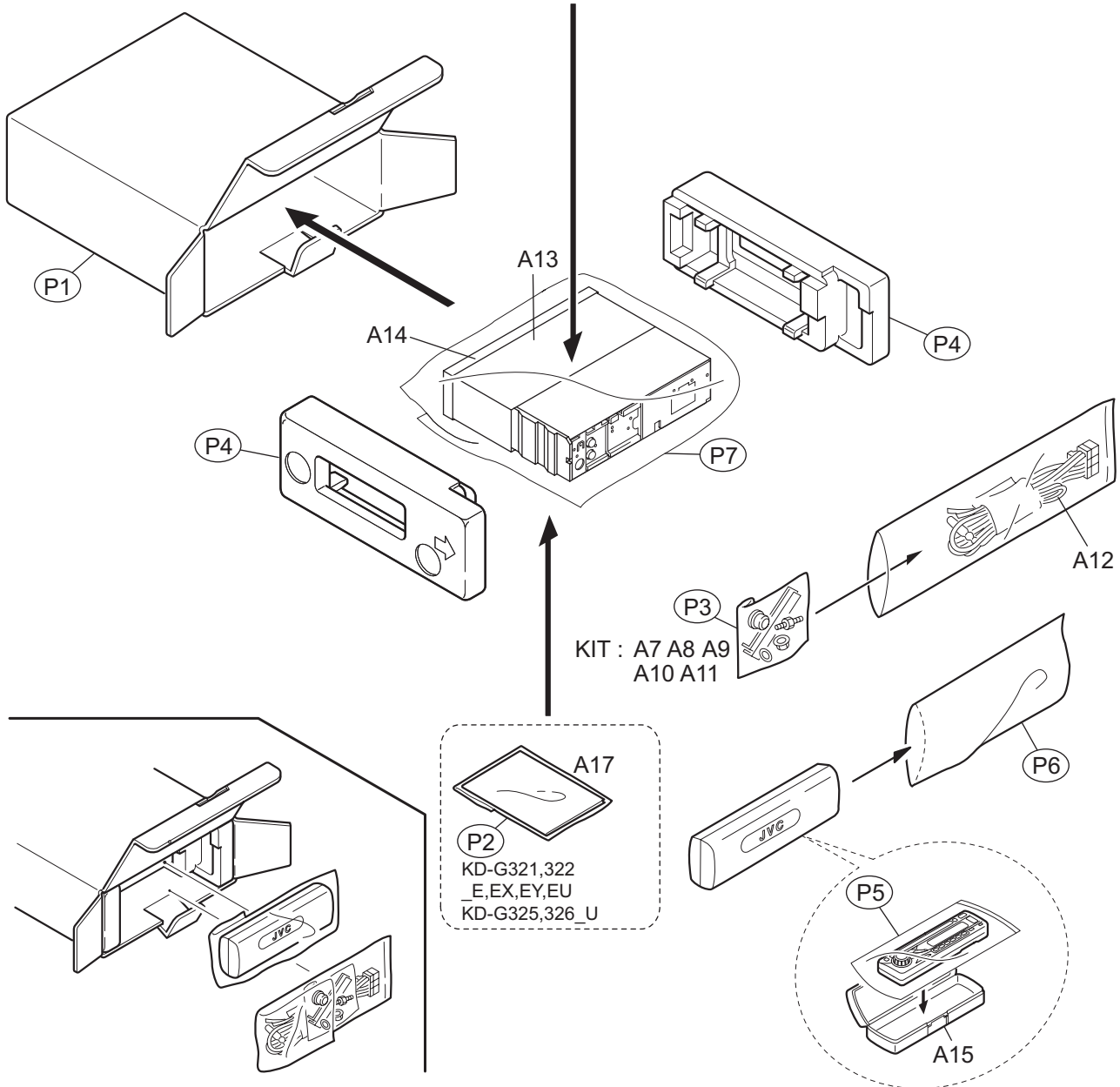
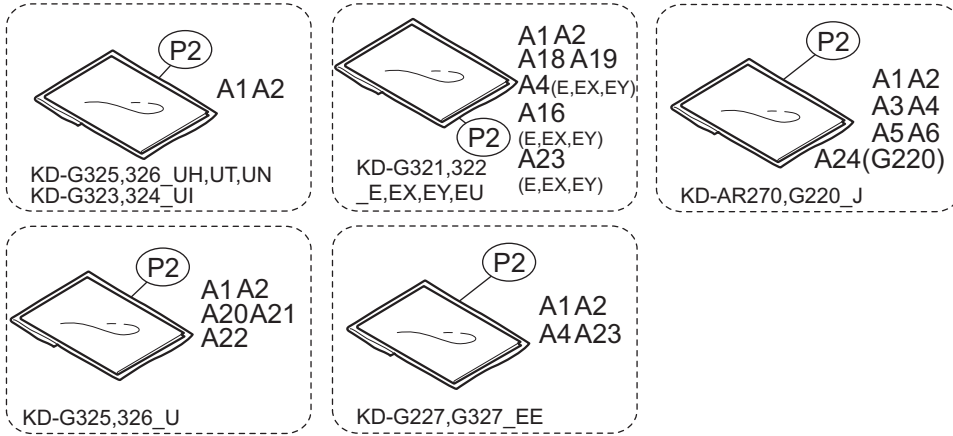
Symbol No.	Part No.	Part Name	Description	Local
C511	NCB31HK-222X	C CAPACITOR	2200pF 50V K	
C513	NCB31HK-682X	C CAPACITOR	6800pF 50V K	
C515	NCB31HK-122X	C CAPACITOR	1200pF 50V K	
C517	NCB31HK-182X	C CAPACITOR	1800pF 50V K	
C518	NDC31HJ-680X	C CAPACITOR	68pF 50V J	
R500	NRS181J-220X	MG RESISTOR	22Ω 1/8W J	
R501	NRSA63J-822X	MG RESISTOR	8.2kΩ 1/16W J	
R502	NRSA63J-822X	MG RESISTOR	8.2kΩ 1/16W J	
R503	NRSA63J-512X	MG RESISTOR	5.1kΩ 1/16W J	
R505	NRSA63J-113X	MG RESISTOR	11kΩ 1/16W J	
R506	NRSA63J-303X	MG RESISTOR	30kΩ 1/16W J	
R507	NRSA63J-153X	MG RESISTOR	15kΩ 1/16W J	
R508	NRSA63J-332X	MG RESISTOR	3.3kΩ 1/16W J	
R509	NRSA63J-104X	MG RESISTOR	100kΩ 1/16W J	
R510	NRSA63J-273X	MG RESISTOR	27kΩ 1/16W J	
R511	NRSA63J-153X	MG RESISTOR	15kΩ 1/16W J	
R512	NRSA63J-562X	MG RESISTOR	5.6kΩ 1/16W J	
R513	NRSA63J-103X	MG RESISTOR	10kΩ 1/16W J	
R514	NRSA63J-562X	MG RESISTOR	5.6kΩ 1/16W J	
R515	NRSA63J-153X	MG RESISTOR	15kΩ 1/16W J	
R516	NRSA63J-102X	MG RESISTOR	1kΩ 1/16W J	
R517	NRSA63J-153X	MG RESISTOR	15kΩ 1/16W J	
R518	NRSA63J-562X	MG RESISTOR	5.6kΩ 1/16W J	
R519	NRSA63J-473X	MG RESISTOR	47kΩ 1/16W J	
R520	NRS181J-220X	MG RESISTOR	22Ω 1/8W J	
R568	NRSA63J-752X	MG RESISTOR	7.5kΩ 1/16W J	
R569	NRSA63J-113X	MG RESISTOR	11kΩ 1/16W J	
CN502	QGZ2512M1-10	CONNECTOR	(1-10)	
CN503	QGZ2512M1-08	CONNECTOR	(1-8)	

<MEMO>

Packing materials and accessories parts list

Block No. M 3 M M

No additional / supplemental order of WARRANTY CARDS are available.



Packing and Accessories

Block No. [M][3][M][M]

△	Symbol No.	Part No.	Part Name	Description	Local
	A 1	GET0335-001A	INST BOOK	ENG SPA FRE	AR270J,G220J
	A 1	GET0341-001A	INST BOOK	ENG RUS	G227EE
	A 1	GET0344-002A	INST BOOK	SPA GRE POR	G321E,G322E
	A 1	GET0344-003A	INST BOOK	ENG FRE	G321EU,G321EX,G322EU,G322EX
	A 1	GET0344-007A	INST BOOK	POL CZE HUN	G321EY,G322EY
	A 1	GET0343-001A	INST BOOK	ENG	G323UI,G324UI
	A 1	GET0342-001A	INST BOOK	ENG THA	G325U,G325UH,G326U,G326UH
	A 1	GET0342-004A	INST BOOK	ENG INA	G325UN,G326UN
	A 1	GET0342-005A	INST BOOK	ENG CHI(TAIWAN)	G325UT,G326UT
	A 1	GET0367-001A	INST BOOK	ENG RUS	G327EE
	A 2	GET0335-002A	INSTALL MANUAL		AR270J,G220J
	A 2	GET0344-008A	INSTALL MANUAL		G321E,G322E
	A 2	GET0344-010A	INSTALL MANUAL		G321EU,G321EX,G322EU,G322EX
	A 2	GET0344-013A	INSTALL MANUAL		G321EY,G322EY
	A 2	GET0343-002A	INSTALL MANUAL		G323UI,G324UI
	A 2	GET0342-006A	INSTALL MANUAL		G325U,G325UH,G326U,G326UH
	A 2	GET0342-009A	INSTALL MANUAL		G325UN,G326UN
	A 2	GET0342-010A	INSTALL MANUAL		G325UT,G326UT
	A 2	GET0341-002A	INSTALL MANUAL		G227EE,G327EE
	A 3	LVT0717-001B	TROUBLE SHEET(C		AR270J,G220J
	A 4	-----	WARRANTY CARD	BT-52006-2	AR270J,G220J
	A 4	-----	WARRANTY CARD	BT-54027-1	G227EE,G321E,G321EX,G321EY,G322E, G322EX,G322EY,G327EE
	A 5	-----	WARRANTY CARD	BT-51029-2	AR270J
	A 5	-----	WARRANTY CARD	BT-51018-4	G220J
	A 6	BT-51034-2	REGISTRATION CARD		AR270J,G220J
	A 7	VKZ4027-202	PLUG NUT		
	A 8	VKH4871-003	MOUNT BOLT		
	A 9	VKZ4328-003	LOCK NUT		
	A 10	QYWWS53A008ZA	WASHER	0mm/5.3mm x	
	A 11	GE40130-002A	HOOK	(x2)	
△	A 12	QAM0013-008	16P CORD ASSY		AR270J,G220J
△	A 12	QAM0089-002	16P CORD ASSY		G227EE
△	A 12	QAM0390-004	16P CORD ASSY		G323UI,G324UI,G325U,G325UH,G325UN, G325UT,G326U,G326UH,G326UN,G326U T
△	A 12	QAM0463-002	POWER CORD		G321E,G321EU,G321EX,G321EY,G322E, G322EU,G322EX,G322EY,G327EE
	A 13	GE20137-003A	MOUNTING SLEEVE		
	A 14	GE20135-007A	TRIM PLATE		AR270J
	A 14	GE20135-010A	TRIM PLATE		G220J,G321E,G321EU,G321EX,G321EY, G324UI,G325U,G325UH,G325UN,G325UT G227EE,G322E,G322EU,G322EX,G322EY, ,G323UI,G326U,G326UH,G326UN,G326U T,G327EE
	A 14	GE20135-001A	TRIM PLATE		
	A 15	FSJB3002-30C	HARD CASE		
	A 16	VND3050-002	IDENTITY CARD		G321E,G321EX,G321EY,G322E,G322EX, G322EY
	A 17	GET0344-001A	INST BOOK	GER FRE ITA	G321E,G322E
	A 17	GET0344-005A	INST BOOK	SPA TUR PER	G321EU,G322EU
	A 17	GET0344-004A	INST BOOK	DUT SWE DAN FIN	G321EX,G322EX
	A 17	GET0344-006A	INST BOOK	ENG GER RUS	G321EY,G322EY
	A 17	GET0342-002A	INST BOOK	KOR CHI(TAIWAN) ARA PER	G325U,G326U
	A 18	GET0344-009A	INSTALL MANUAL		G321E,G322E
	A 18	GET0344-012A	INSTALL MANUAL		G321EU,G322EU
	A 18	GET0344-011A	INSTALL MANUAL		G321EX,G322EX
	A 18	GET0344-014A	INSTALL MANUAL		G321EY,G322EY
	A 19	LVT1435-001A	WEEE SHEET		G321E,G321EU,G321EX,G321EY,G322E, G322EU,G322EX,G322EY
	A 20	GET0342-003A	INST BOOK	RUS	G325U,G326U
	A 21	GET0342-007A	INSTALL MANUAL		G325U,G326U
	A 22	GET0342-008A	INSTALL MANUAL		G325U,G326U
	A 23	VND3046-001	SERIAL TICKET		G227EE,G321E,G321EX,G321EY,G322E, G322EX,G322EY,G327EE
	A 24	GET0392-001A	ERRATA SHEET		G220J
	KIT	SRW-385U	SCREW PARTS KIT	A7 A8 A9 A10 A11	
	P 1	GE31844-003A	CARTON		AR270J
	P 1	GE31847-002A	CARTON		G220J
	P 1	GE32018-002A	CARTON		G227EE
	P 1	GE31859-003A	CARTON		G321E,G321EU,G321EX,G321EY
	P 1	GE31862-002A	CARTON		G322E,G322EU,G322EX,G322EY
	P 1	GE32021-002A	CARTON		G323UI
	P 1	GE32024-002A	CARTON		G324UI
	P 1	GE31868-002A	CARTON		G325U,G325UH,G325UN,G325UT
	P 1	GE31871-002A	CARTON		G326U,G326UH,G326UN,G326UT

Symbol No.	Part No.	Part Name	Description	Local
P 1	GE31865-002A	CARTON		G327EE
P 2	FSPG4002-001	POLY BAG	(x2)	G321E, G321EU, G321EX, G321EY, G322E, G322EU, G322EX, G322EY, G325U, G326U, AR270J, G220J, G227EE, G323UI, G324UI, G325UH, G325UN, G325UT, G326UH, G326UN, G326UT, G327EE
P 2	FSPG4002-001	POLY BAG		
P 3	QPA00801205	POLY BAG	8cm x 12cm	
P 4	GE10070-003A	EPS CUSHION		
P 5	QPC01002515	POLY BAG	10cm x 25cm	
P 6	QPA01003003	POLY BAG	10cm x 30cm	
P 7	QPC03004315P	POLY BAG	30cm x 43cm	

<MEMO>